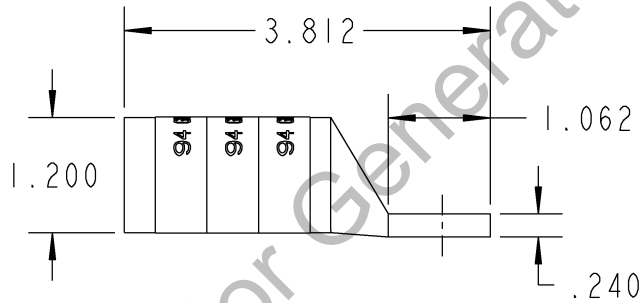
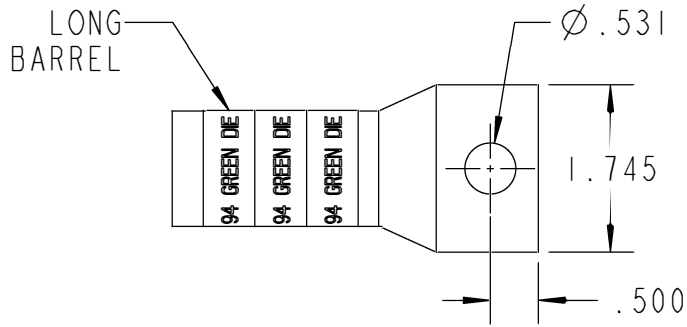
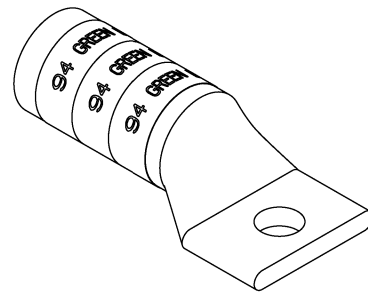


Color-Keyed[®]

CATALOG NO. 54921BE



Configurator Generated



WIRE SIZE: 500 WELD, 600 MCM
 MATERIAL: HIGH CONDUCTIVITY COPPER
 FINISH: TIN PLATED

GENERAL NOTES		Thomas & Betts <small>www.tnb.com</small>			
1. ALL DIMENSIONS ARE FOR REFERENCE ONLY. 2. DIMENSIONS IN BRACKETS [] ARE IN METRIC UNITS.					
REVISIONS		ORIGINAL PROJECT NO / (ERN NO) SHEET NO: REV. NO: DRAWING NO: WSD-002181 / () 1 OF 1 0 54921BE			
** SEE ERN (****) FOR APPROVAL SIGNATURES & RELEASE DATE. PROJECT NO: ****					