

IndustrialNet™ Variant 1 Bulkhead Connectors

SPECIFICATIONS

8-position, industrial connector shall be applicable for use in manufacturing environments and shall meet/exceed the ANSI/TIA-568.2-D standards for Category performance requirements. Bulkhead RJ45 jack and plug shall incorporate an IP67 rated seal and shall be designed to provide protection from dust and temporary immersion in water typically found in harsh industrial environments. Tethered protective cap shall ensure IP67 protection of the connector and plug in the unmated condition. Secondary seals on both the connector and plug shall provide an additional environmental barrier. Termination to a 4-pair 24 AWG, 100 ohm twisted pair cable shall not require the use of a punch down tool. An IP67 rating shall be achieved when mated with an IP67 and NEMA UL Type 12, 6/6P, 4X industrial grade, bayonet style patch cord.



TECHNICAL INFORMATION

Channel and component performance:	Exceeds channel and component requirements of ANSI/TIA-568.2-D Category and ISO11801 Class E standards at swept frequencies for each performance category
Electrical/mechanical performance:	Meets all ODVA Ethernet/IP [^] electrical and mechanical performance requirements
Environmental protection:	Protects and seals connections against dust and water immersion to ANSI/IEC 60529-2004 Vibration, temperature and chemical resistant; shielded version further enhances electromagnetic performance
FCC and ANSI/TIA compliance:	Meets ANSI/TIA-1096-A; contacts plated with 50 micro inches of gold for superior performance
IEC compliance:	Plug meets IEC 60603-7 specifications
IP compliance:	Rated IP67 for dust protection and temporary liquid immersion
NEMA/UL compliance:	Rated UL Type 12, 6/6P, 4X
Material:	Bulkhead connector is constructed of black PBT plastic
Packaging:	Connector and plug include protective cap
RoHS compliance status:	Compliant
PoE compliance:	Meets IEEE 802.3af and IEEE 802.3at for PoE applications

KEY FEATURES AND BENEFITS

IP/NEMA/UL rated connection:	Withstands light wash down and temporary submerged conditions in harsh factory environments without loss of performance when mated to IP67 IndustrialNet Patch Cords; Maintains NEMA 4/4X rating when properly installed on NEMA 4/4X enclosures
Bayonet style interface:	Provides positive reinforcement during mated condition; rated to 100 mating cycle
Protective cap:	Maintains IP67 seal during unmated connection
Industry standard RJ45 interface:	Offers industry standard solution familiar to end users which speeds deployment
No punchdown tool required:	Can terminate with standard adjustable slipjaw pliers or optional termination tool (EGJT)
Standard mounting:	Bulkhead connector fits into standard IEC 1-13/64" (30.5mm) diameter mounting hole or optional faceplate

IndustrialNet TX6A™ Connectors

UTP:	IAEBH6X
STP:	IAEBH6XS
Coupler, Shielded:	IAEBHC6XS

IndustrialNet TX6™ PLUS Connectors

UTP:	IAEBH6
STP:	IAEBH6S
Coupler, Unshielded:	IAEBHC6

IndustrialNet TX5e™ Connectors

Unshielded:	IAEBH5E
Shielded:	IAEBH5ES
Coupler, Unshielded:	IAEBHC5E
Coupler, Shielded:	IAEBHC5ES

IndustrialNet TX5e™ Modular Plugs

UTP:	MPI588T
Shielded:	MPSI588T

IndustrialNet USB Coupler

Female A to female A:	IAEBHUSBAA
------------------------------	------------

IndustrialNet TX6A™ Patch Cords

UTP with bulkhead connector on both ends:	IUTP6X*MBL
--	------------

STP with bulkhead connector on both ends:	ISTP6X*MBL
--	------------

STP with bulkhead connector on one end:	ISTP6X*MBLR
--	-------------

IndustrialNet TX6™ Patch Cords

STP with caps:	ISTPSP**MBL
-----------------------	-------------

IndustrialNet TX5e™ Patch Cords

UTP with caps:	IUTPCH***BLY
STP with caps:	ISTPCH***1MBLY

IndustrialNet Stainless Steel Faceplates

Single gang:	IAEFP1
Double gang:	IAEFP2-2G

Tools and Accessories

Termination tool (optional):	EGJT-1 and TGJT
Wire snipping tool:	CWST
Wire stripping tool:	CJAST

*Meter lengths: 2, 3, 5, or 10 meters

**Feet lengths: 5, 7, 10, 15, or 20 feet

***Meter lengths: 2, 3, or 5 meters

[^]EtherNet/IP is a trademark of ODVA.



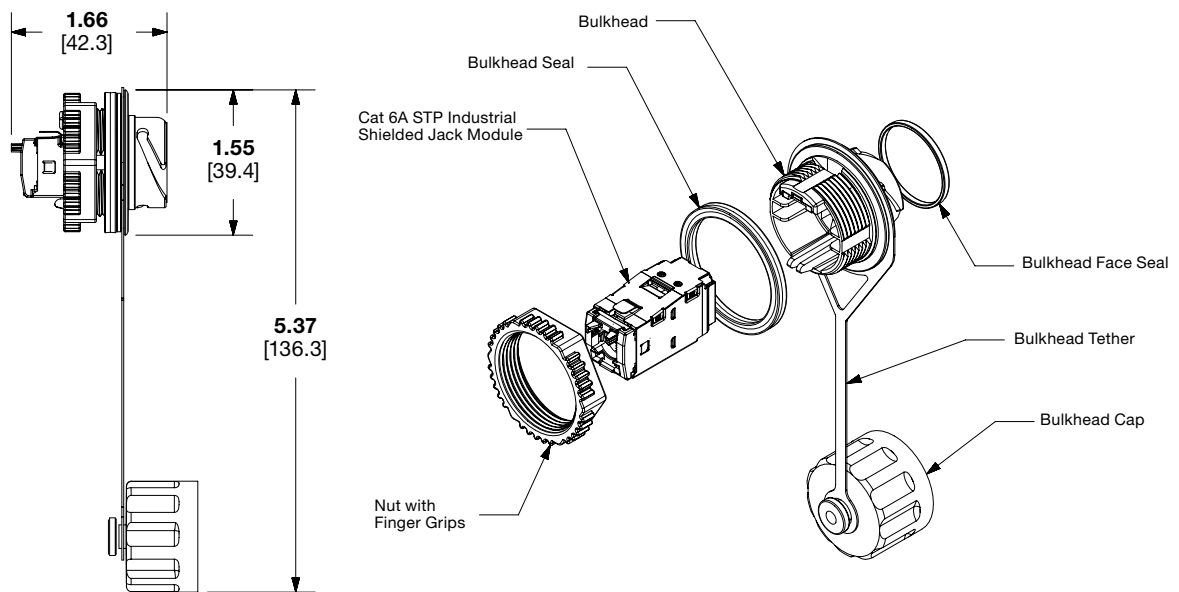
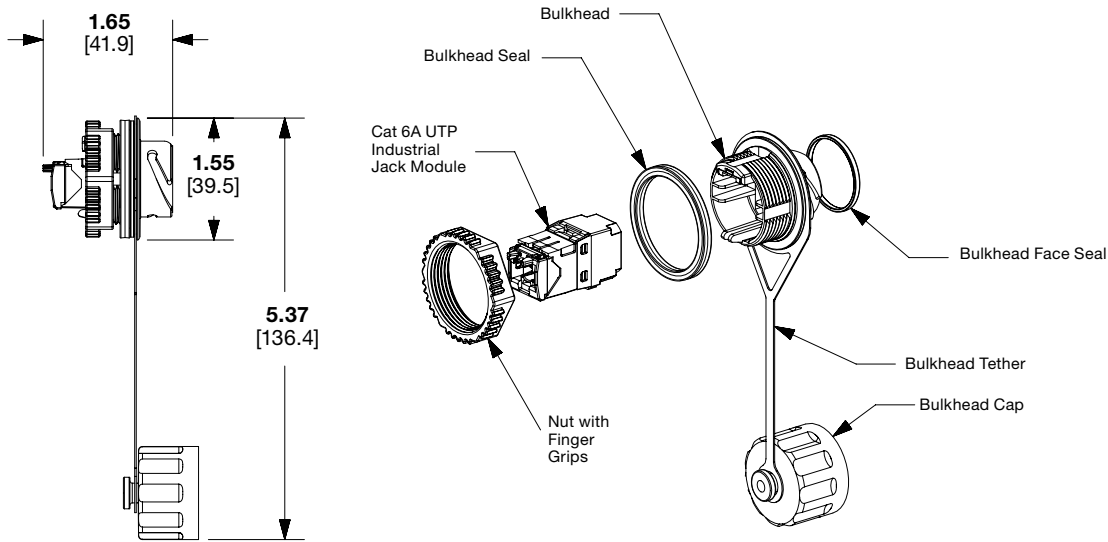
All listed part numbers are compliant with the U.S. Trade Agreements Act (TAA) for purchases shipped to customers in the United States.

IndustrialNet™ Variant 1 Bulkhead Connectors

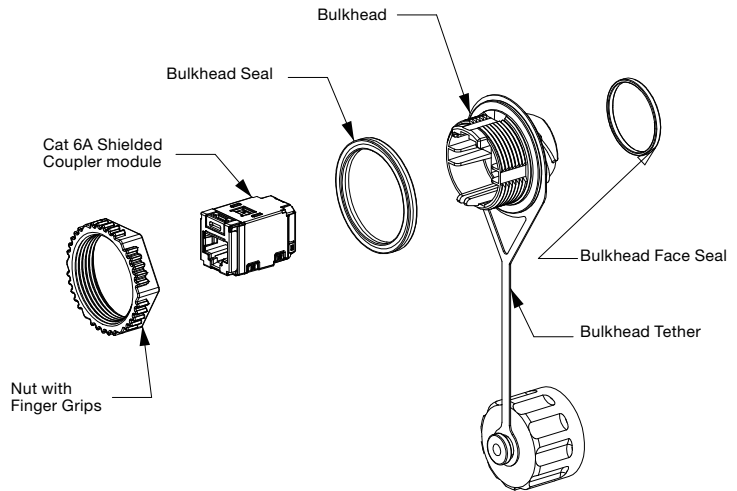
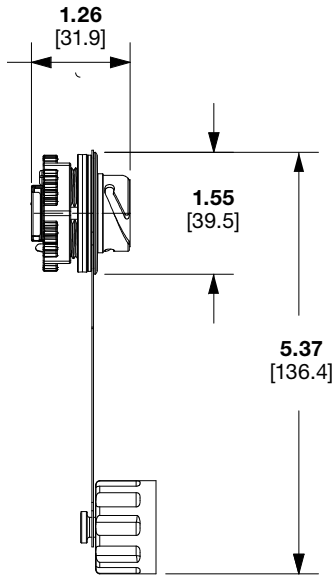
APPLICATIONS

IndustrialNet Variant 1 Bulkhead Connectors provide an ideal solution to support industrial Ethernet from the Local Area Network (LAN) based support offices to the processing devices on the plant floor even under harsh industrial conditions. Innovative design features provide a secure, reliable connection for superior data transmission in work cells where moisture and dust/particles are encountered, in temperature extremes and in applications with vibration. Industrial bulkhead connection protects and seals against dust and water immersion common in the food and beverage industry where bacterial contamination is present and light wash down is required. High temperature resilience of up to 85°C storage and 75°C operating offers reliable connection in manufacturing facilities such as metal processing, welding, and chemical batch processing where high temperatures are normal. In automotive panel stamping plants and work cells where vibration is a concern, the IndustrialNet Connectors protect the RJ45 mating.

ENGINEERING DRAWINGS



IndustrialNet™ Variant 1 Bulkhead Connectors



WORLDWIDE SUBSIDIARIES AND SALES OFFICES

PANDUIT US/CANADA
Phone: 800.777.3300

PANDUIT EUROPE LTD.
London, UK
Phone: 44.20.8601.7200

PANDUIT SINGAPORE PTE. LTD.
Republic of Singapore
Phone: 65.6305.7575

PANDUIT JAPAN
Tokyo, Japan
Phone: 81.3.6863.6000

PANDUIT LATIN AMERICA
Guadalajara, Mexico
Phone: 52.33.3777.6000

PANDUIT AUSTRALIA PTY. LTD.
Victoria, Australia
Phone: 61.3.9794.9020

For a copy of Panduit product warranties, log on to www.panduit.com/warranty

PANDUIT®

For more information
Visit us at www.panduit.com
Contact Customer Service by email: cs@panduit.com
or by phone: 800.777.3300

© 2024 Panduit Corp.
ALL RIGHTS RESERVED.
COSP476-WW-ENG
7/2024