

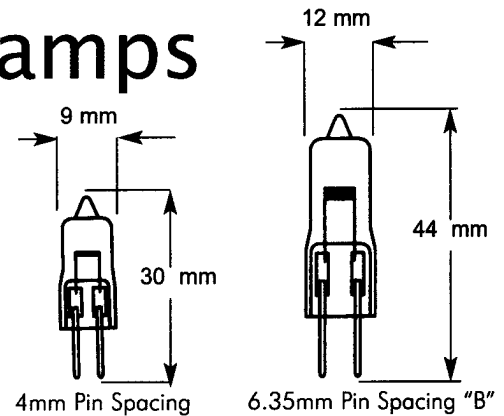


Low Voltage Halogen Lamps

"JC" SERIES (BI-PIN)
6V, 12V, 24V, 36V

2,800°K Color Temp.

2,000 HOUR LIFE



LINE NO.	VOLTS	WATTS	ANSI CODE	† CROSS REFERENCE	2-PIN G4 BASE	2-PIN GY6.35 BASE (1.25mm Pin Diameter)
1	6.0	10		64410	JC-0610	
2	6.0	20	ESB	64250	JC-0620	
3	6.0	30			JC-0630	
4						
5	12.0	5		64405	JC-1205	(JC-1205B)
6	12.0	10		64415	JC-1210	(JC-1210B)
7	12.0	20		12345, 64425	JC-1220	(JC-1220B)
8	12.0	35		64432		JC-1235B
9	12.0	50	BRL	64611, 64440, 64610	(JC-1250/G4)	JC-1250B
10	12.0	75		64450		JC-1275B
11	12.0	100	EVA, FCR	64458, 64625, 64623		JC-12100B
12						
13	24.0	5		64429	JC-2405	
14	24.0	10		64431	JC-2410	
15	24.0	20		64435	JC-2420	(JC-2420B)
16	24.0	50		64445		JC-2450B
17	24.0	75		64455		JC-2475B
18	24.0	100		64460		JC-24100B
19	24.0	150	FDV, FCS	64642, 64640*		JC-24150B
20	24.0	250	EVC, EHJ	64657, 64655*		JC-24250B
21	24.0	275	FNT	64656		JC-24275B
22	36.0	400	EVD	64663+		JC-36400B

* 15MM X 54MM BULB DIMENSIONS. 100 HOURS RATED LIFE.

+ 20MM X 60MM BULB DIMENSIONS. 100 HOURS RATED LIFE.

† CROSS REFERENCE NUMBERS ARE LISTED FOR GENERAL IDENTIFICATION ONLY. LUMENS AND LIFE MAY VARY.