

**DIGITAL NAVIGATION**

[Ordering Tree](#) [Platform](#) [Photometrics](#) [Performance Data](#)

**FEATURES & SPECIFICATIONS**

**INTENDED USE** — The CPX Series LED is a low-glare panel featuring an external driver. This cost-effective, reliable flat panel is visually comfortable and can be recessed mounted. Suitable for many applications such as schools, offices, retail, convenience stores, hospitals, healthcare facilities and other commercial spaces. Certain airborne contaminants can diminish integrity of acrylic. [Click here for Acrylic Environmental Compatibility table for suitable uses](#). Adjustable Lumen (AL07, AL08) and Switchable White (SWW7) configurations available. **U.S. Patent No. 10,681,784.**

**CONSTRUCTION** — The extruded Metal frame with satin white lens provides excellent shielding and uniform luminance. CPX's low-profile design provides increased installation flexibility especially in restricted plenum spaces. The back plate includes integral T-bar clips for installation into T-grid ceilings.

**ELECTRICAL** — Direct-lit Panel with Long-Life LEDs, coupled with a high-efficiency driver, provide superior illumination for extended service life. Greater than 70% LED lumen maintenance at 60,000 hours (L70>60,000). 0-10V dimming driver, dims to 10% and contains non-isolated dimming leads.

**LISTINGS** — CSA certified to meet US and Canadian standards. Damp location listed. IC rated. IP5X Rated. DesignLights Consortium® (DLC) Premium qualified product and DLC qualified product. Not all versions of this product may be DLC Premium qualified or DLC qualified. Please check the DLC Qualified Products List at [www.designlights.org/QPL](http://www.designlights.org/QPL) to confirm which versions are qualified. Rated for NSF/ANSI Standard 2 - Light Fixture for Splash Zone and Non Food Zone. NOM Certified.

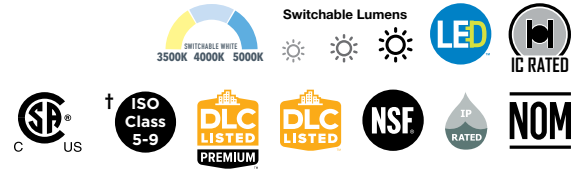
**WARRANTY** — 5-year limited warranty. This is the only warranty provided and no other statements in this specification sheet create any warranty of any kind. All other express and implied warranties are disclaimed. Complete warranty terms located at: [www.acuitybrands.com/support/warranty/terms-and-conditions](http://www.acuitybrands.com/support/warranty/terms-and-conditions)

**Note:** Actual performance may differ as a result of end-user environment and application. All values are design or typical values, measured under laboratory conditions at 25 °C. Specifications subject to change without notice.

Catalog Number
Notes
Type

# CPX LED PANEL

Non-Configurable  
1' x 4', 2' x 2' and 2' x 4'



† Tested in accordance with ISO 14644-1; suitable in ISO Class 5-9 positive and negative pressure clean rooms.

## Non-Configurable FIXTURES

**ORDERING INFORMATION**

Catalog Number	UPC	Description	Lumens	Color Temperature	CRI	Voltage	Wattage	Efficacy	Pallet Qty.
CPX 2X4 4000LM 40K M2	191848338506	2x4 LED Panel	4692	4000K	80	120-277	38.9	121	20
CPX 1X4 AL07 SWW7 M4	194994568063	1X4 Switchable Panel	See Switchable Table	3500K/4000K/5000K	>80	120-277	See Switchable Table	See Switchable Table	40
CPX 1X4 AL07HE SWW7 UVOLT M4 ‡	194994625926	1X4 Switchable Panel	See Premium Switchable Table	3500K/4000K/5000K	>80	120-347	See Premium Switchable Table	See Premium Switchable Table	40
CPX 1X4 AL07 SWW7 IE10WCP	194995604456	1X4 Switchable Panel with Battery ‡	See Switchable Table	3500K/4000K/5000K	>80	120-277	See Switchable Table	See Switchable Table	26
CPX 2X2 AL07 SWW7 M4	193048542806	2X2 Switchable Panel	See Switchable Table	3500K/4000K/5000K	>80	120-277	See Switchable Table	See Switchable Table	40
CPX 2X2 AL07HE SWW7 UVOLT M4 ‡	194994371854	2X2 Switchable Panel	See Premium Switchable Table	3500K/4000K/5000K	>80	120-347	See Premium Switchable Table	See Premium Switchable Table	40
CPX 2X2 AL07 SWW7 IE10WCP	194995604494	2X2 Switchable Panel with Battery ‡	See Switchable Table	3500K/4000K/5000K	>80	120-277	See Switchable Table	See Switchable Table	26
CPX 2X4 AL08 SWW7 M2	193048542844	2X4 Switchable Panel	See Switchable Table	3500K/4000K/5000K	>80	120-277	See Switchable Table	See Switchable Table	20
CPX 2X4 AL08HE SWW7 UVOLT M2 ‡	194994371861	2X4 Switchable Panel	See Premium Switchable Table	3500K/4000K/5000K	>80	120-347	See Premium Switchable Table	See Premium Switchable Table	20
CPX 2X4 AL08 SWW7 IE10WCP	194995604319	2X4 Switchable Panel with Battery ‡	See Switchable Table	3500K/4000K/5000K	>80	120-277	See Switchable Table	See Switchable Table	13

‡ Switchable CPX fixtures with IE10WCP will default to 5000K when in emergency mode.  
‡ CPX UVOLT DLC Premium

## SWITCHABLE PERFORMANCE DATA

CPX Switchable Table						
Size(ft)	Nomenclature	Lumen Package	CCT	Lumen	Wattage	Efficacy
1x4	CPX 1x4 AL07 SWW7 M4	Low Lumen	3500K	2430	19.7	123.4
			4000K	2594	19.7	131.7
			5000K	2483	19.5	127.3
		Med Lumen	3500K	3289	28.4	115.8
			4000K	3583	27.2	131.7
			5000K	3369	28.2	119.5
		High Lumen	3500K	3914	35.7	109.6
			4000K	4280	33.7	127
			5000K	4009	35.5	112.9
2x2	CPX 2X2 AL07 SWW7 M4	Low Lumen	3500K	2399	19.1	125.6
			4000K	2570	18.5	138.9
			5000K	2456	19.1	128.6
		Med Lumen	3500K	3356	28.7	116.9
			4000K	3649	27.5	132.7
			5000K	3427	28.5	120.2
		High Lumen	3500K	4131	37.5	110.2
			4000K	4564	35.8	127.5
			5000K	4212	37.3	112.9
2x4	CPX 2X4 AL08 SWW7 M2	Low Lumen	3500K	3813	28.94	131.8
			4000K	4033	28.1	143.5
			5000K	3938	28.86	136.5
		Med Lumen	3500K	4677	36.8	127.1
			4000K	5009	35.55	140.9
			5000K	4834	36.65	131.9
		High Lumen	3500K	6048	50.56	119.6
			4000K	6563	48.53	135.2
			5000K	6241	50.24	124.2

Product Type	Size(ft)	Nomenclature	Lumen Package	CCT (K)	Lumen	Wattage	Lumen/Wattage
CPX G2 Switchable CCT and Lumen Select UVOLT Premium	2x2	CPX 2X2 AL07HE SWW7 UVOLT M4	Low Lumen	3500K	2258	15.8	142.9
				4000K	2323	15.4	150.8
				5000K	2278	15.8	144.2
			Med Lumen	3500K	3307	24.1	137.2
				4000K	3429	23.2	147.8
				5000K	3325	24.0	138.6
			High Lumen	3500K	4168	31.9	130.6
				4000K	4401	30.5	144.3
				5000K	4208	31.7	132.7
	2x4	CPX 2X4 AL08HE SWW7 UVOLT M2	Low Lumen	3500K	3939	27.6	142.7
				4000K	4060	27	150.4
				5000K	3980	27.5	144.7
			Med Lumen	3500K	3500	35.1	99.7
				4000K	5070	34	149.1
				5000K	4950	35	141.4
			High Lumen	3500K	6321	47.2	133.9
				4000K	6590	45.5	144.8
				5000K	6420	47	136.6
	1x4	CPX 1X4 AL07HE SWW7 UVOLT M4	Low Lumen	3500K	2305	15.9	144.9
				4000K	2350	15.5	151.6
				5000K	2324	15.8	147.1
			Med Lumen	3500K	3368	23.9	140.9
				4000K	3474	23.1	150.4
				5000K	3404	24	141.8
High Lumen			3500K	4242	31.3	135.5	
			4000K	4445	30.1	147.7	
			5000K	4297	31.3	137.3	

## ACCESSORIES

**Accessories:** Order as separate catalog number.

<a href="#">ILBLP CP10 HE SD A</a>	IOTA 10 Watt Constant Power, High Efficiency LED Emergency Driver for CA Title 20 ‡
<a href="#">ELA PSDMT</a>	Remote mount tray for ILBLP battery.
DGA14	Drywall grid adapter for 1x4 recessed fixture.
DGA22	Drywall grid adapter for 2x2 recessed fixture.
DGA24	Drywall grid adapter for 2x4 recessed fixture.
1X4SMKSH	Multi-Use Surface Mount Kit 1x4, Shallow Depth
2X2SMKSH	Multi-Use Surface Mount Kit 2x2, Shallow Depth
2X4SMKSH	Multi-Use Surface Mount Kit 2x4, Shallow Depth
1X4SMKSH PAF	Multi-Use Surface Mount Kit 1X4 Post-Paint
2X2SMKSH PAF	Multi-Use Surface Mount Kit 2X2 Post-Paint
2X4SMKSH PAF	Multi-Use Surface Mount Kit 2X4 Post-Paint
PAC 2DNF 36	Panel Air Craft Kit, 2 cables with Y splitter, No Power Feed, 36 inches. Recommended for 2X2 or 1X4 Panel Fixture.
PAC 2DF 36	Panel Air Craft Kit, 2 cables with Y splitter, with Power Feed, 36 inches. Recommended for 2X2 or 1X4 Panel Fixture. <sup>1</sup>
PAC 4DNF 36	Panel Air Craft Kit, 4 cables, No Power Feed, 36 inches. Recommended for 2X4 or 2X2 or 1X4 Panel Fixtures.
PAC 4DF 36	Panel Air Craft Kit, 4 cables, with Power Feed, 36 inches. Recommended for 2X4 or 2X2 or 1X4 Panel Fixtures. <sup>1</sup>
PAC 2DNF 72	Panel Air Craft Kit, 2 cables with Y splitter, No Power Feed 72 inches. Recommended for 2X2 or 1X4 Panel Fixture.
PAC 2DF 72	Panel Air Craft Kit, 2 cables with Y splitter, with Power Feed, 72 inches. Recommended for 2X2 or 1X4 Panel Fixture. <sup>1</sup>
PAC 4DNF 72	Panel Air Craft Kit, 4 cables, No Power Feed, 72 inches. Recommended for 2X4 or 2X2 or 1X4 Panel Fixtures.
PAC 4DF 72	Panel Air Craft Kit, 4 cables, with Power Feed, 72 inches. Recommended for 2X4 or 2X2 or 1X4 Panel Fixtures. <sup>1</sup>
RK8BDP 2P U	Disconnect Plug (BDP), 2 Pole, Package of 1
RK8BDP 3P U	Disconnect Plug (BDP), 3 Pole, Package of 1
RK8BDP 2P J10	Disconnect Plug (BDP), 2 Pole, Package of 10
RK8BDP 2P J40	Disconnect Plug (BDP), 2 Pole, Package of 40

### Emergency Battery Delivered Lumens

Use the formula below to determine the delivered lumens in emergency mode

$$\text{Delivered Lumens} = 1.25 \times P \times \text{LPW}$$

**P** = Output power of emergency driver (10W for PS1055)

**LPW** = Lumen per watt rating of the luminaire.

#### Notes

<sup>1</sup> For MVOLT only, not available with 347V.

## Emergency Battery Pack Options - Field Installable

Battery Model Number	Wattage	Runtime (Minutes)	Lumen Output* @ 120 Lumens/Watt	Other
<a href="#">ILB CP07 2H A</a>	7W	120	840	Storm Shelter/ 2-hour Runtime
<a href="#">ILB CP10 A</a>	10W	90	1200	
<a href="#">ILBLP CP10 HE SD A</a>	10W	90	1200	Title 20, Self Diagnostic
<a href="#">ILBLP CP15 HE SD A</a>	15W	90	1800	Title 20, Self Diagnostic
<a href="#">ILB CP20 HE A</a>	20W	90	2400	Title 20
<a href="#">ILB CP20 HE SD A</a>	20W	90	2400	Title 20, Self Diagnostic

All the above are UL Listed products that are certified for field install external/remote to the fixture.

\*Minimum delivered lumen output to assist in product selection for increased fixture mounting height.

The CP10 delivered emergency illumination outperforms legacy 1400 lumen fluorescent emergency ballast.

Please contact us at [techsupport@iotaengineering.com](mailto:techsupport@iotaengineering.com) for any Emergency Battery related questions.

## Lumen Maintenance

Reported Lumen Maintenance	Forecasted Lumen Maintenance
L90 @ 52k Hrs / L80 @ >60k Hrs / L70 @ >60k Hrs	L90 @ 52k Hrs / L80 @ 108k Hrs / L70 @ 170k Hrs

\*Note - Reported LM based on IES standard 6X test period for LM-80 report. Forecasted LM based on TM-21 report extrapolation past 6X LM-80 testing.

CPX compatible with Sensor Switch™ [WSX-D](#) and [SPOD](#) wall switches.



WSX-D



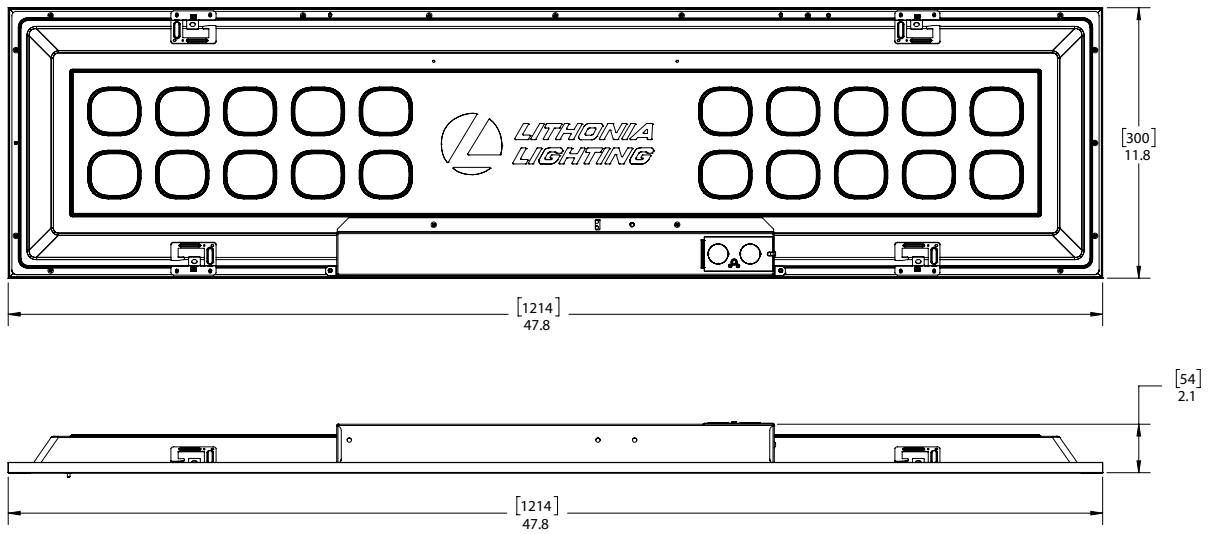
SPOD

## PHOTOMETRICS

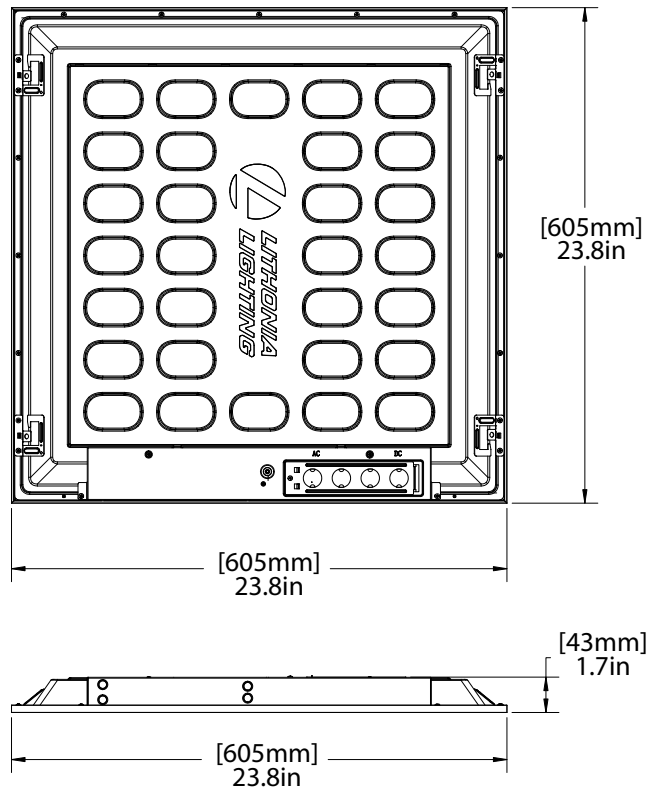
See [www.lithonia.com](http://www.lithonia.com) for photometry reports.

## DIMENSIONS

Length: 47.8" 121.4cm  
 Width: 11.8" 30.0cm  
 Depth: 2.1" 5.4cm  
 Weight:  
 Unit: 8.11lbs  
 Unit Carton: 15.1lbs



Length: 23.8" 60.5cm  
 Width: 23.8" 60.5cm  
 Depth: 1.7" 4.3cm  
 Weight:  
 Unit: 9.45lbs  
 Unit Carton: 10.45lbs  
 Master Carton: 39.5lbs



## DIMENSIONS

Length: 47.8 (121.4)  
Width: 23.8" 60.5cm  
Depth: 1.7" 4.3CM  
Weight:  
Unit: 17.05lbs  
Unit Carton: 19.05lbs  
Master Carton: 36.55lbs

