

RCA Feedthrough MOS Module

APPLICATION

Leviton RCA Feedthrough Multimedia Outlet System (MOS) Modules adapt RCA video to modular MOS wallplates. Each one-unit-high module contains three adapters: red audio-right, black audio-left, and yellow-video for composite video with audio applications, and red-P_R, blue-P_B, and green-Y for component video applications. RCA video is ideal for classrooms and boardrooms where local input or output is required for audio/visual signals from peripherals such as televisions, VCRs, DVD players, and game consoles.



41292-3Rx

SPECIFICATION

RCA module shall contain three adapters: red audio-right, black audio-left, and yellow-video for composite video with audio applications, and red-P_R, blue-P_B, and green-Y for component video applications. RCA video shall provide video for applications where local input or output is required for audio/visual signals from peripherals such as televisions.

FEATURES

- One-unit-high module with three RCA adapters
- Includes A/V specified colors: red-right, black-left, yellow-video (composite); red-P_R, blue-P_B, green-Y (component)

DESIGN CONSIDERATIONS

- Accommodates all RCA patch cords
- One-unit-high module for Leviton Multimedia Outlet System wallplates

PHYSICAL SPECIFICATIONS

Housing Material:	Fire-retardant plastic, rated UL 94V-0
A/V Specification:	Composite video with audio: red-right, black-left, yellow-video Component video: red-P _R , blue-P _B , green-Y
Connectors:	Gold-plated, feedthrough
MOS Compatibility:	1 Unit high
Colors:	White, light almond, ivory, grey, black

REGULATORY

- cULus listed (UL 1863, CAN/CSA-C22.2, No. 182.4-M90)

COUNTRY OF ORIGIN

China

WARRANTY INFORMATION

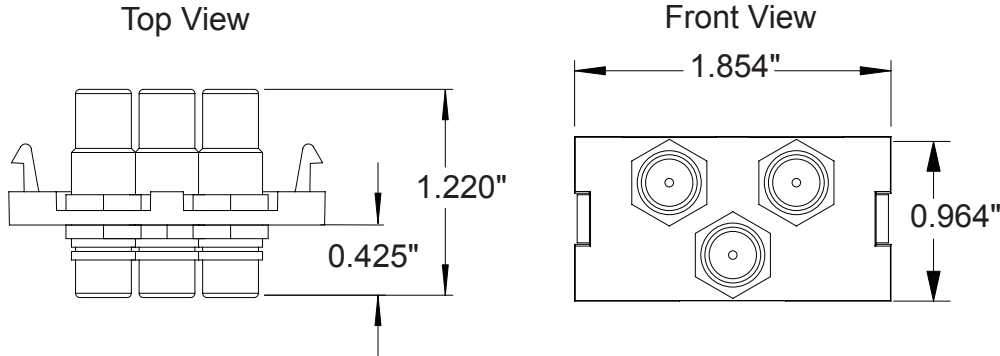
For a copy of Leviton product warranties, visit www.leviton.com/warranty.

41292-3Dx, 41292-3Rx

Leviton Network Solutions 2222 - 222nd St. SE Bothell, WA 98021-4416 tel 1-800-824-3005 tel +1-425-486-2222 appeng@leviton.com www.leviton.com	Asia / Pacific T +1.631.812.6228 E infoasean@leviton.com	Canada T +1.514.954.1840 E pcservice@leviton.com	Caribbean T +1.954.593.1896 E infocaribbean@leviton.com	China T +852.2774.9876 E infochina@leviton.com	Colombia T +57.1.743.6045 E infocolombia@leviton.com
	Europe T +44.0.1592.772124 E customerservice@brand-rex.com	India / SAARC T +971.4.886.4722 E infoindia@leviton.com	Mexico T +52.55.5082.1040 E lsamarketing@leviton.com	Middle East & Africa T +971.4.886.4722 E lmeinfo@leviton.com	South Korea T +82.2.3273.9963 E infokorea@leviton.com

ELECTRONIC FILES

For CAD files, typical specs, or technical drawings (.DXF, .DWG), visit www.leviton.com.



41292-3Dx, 41292-3Rx

PART NUMBERS

Description	White	Light Almond	Ivory	Grey	Black
RCA Feedthrough MOS Module, Composite and Stereo	41292-3RW	41292-3RT	41292-3RI	41292-3RG	41292-3RE
RCA Feedthrough MOS Module, Component	41292-3DW	41292-3DT	41292-3DI	41292-3DG	41292-3DE



Leviton Network Solutions 2222 - 222nd St. SE Bothell, WA 98021-4416 tel 1-800-824-3005 tel +1-425-486-2222 appeng@leviton.com www.leviton.com	Asia / Pacific T +1.631.812.6228 E infoasean@leviton.com	Canada T +1.514.954.1840 E pcservice@leviton.com	Caribbean T +1.954.593.1896 E infocaribbean@leviton.com	China T +852.2774.9876 E infochina@leviton.com	Colombia T +57.1.743.6045 E infocolombia@leviton.com
	Europe T +44.0.1592.772124 E customerservice@brand-rex.com	India / SAARC T +971.4.886.4722 E infoindia@leviton.com	Mexico T +52.55.5082.1040 E lsamarketing@leviton.com	Middle East & Africa T +971.4.886.4722 E lmeinfo@leviton.com	South Korea T +82.2.3273.9963 E infokorea@leviton.com