

## Features

- High density polyurethane construction supports heavy loads and is weather resistant
- Modular interlocking design for easy installation, breakdown and storage
- Safety surface pattern reduces slipping and skidding
- High visibility safety blue and yellow colors

## Ordering Information

### Dimensions

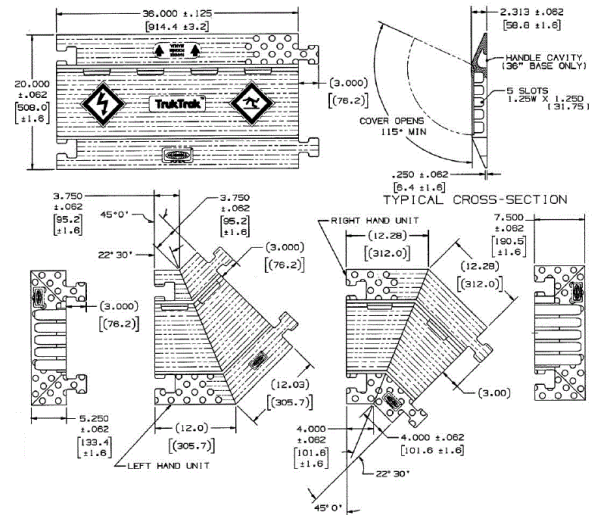
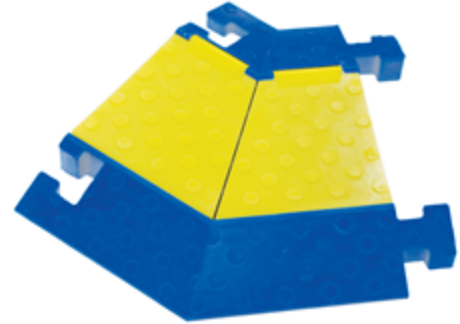
25 in x 20 in x 2.31 in

### UPC

783585537276

### Catalog Number

HBLTT545LB



## Online Resources

- Customer Sales Drawings
- eCatalog
- Installation Instructions