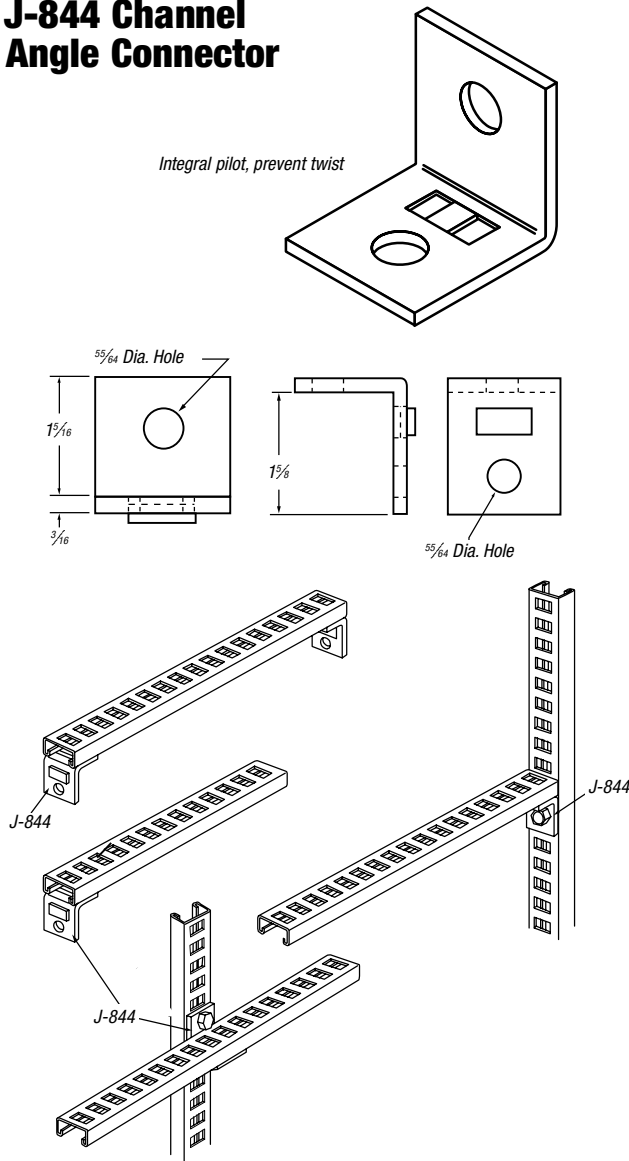


## Cable and Mounting Systems

Angle Connector Provides “On-the-Job” Versatility for Cable Racking and Mounting.

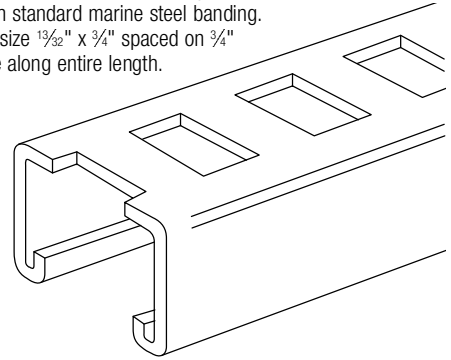
### J-844 Channel Angle Connector



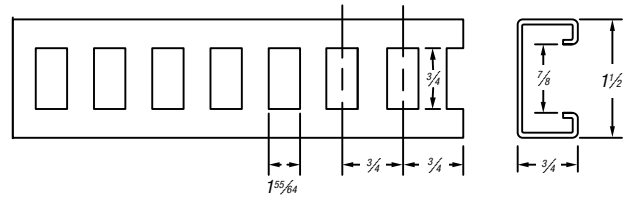
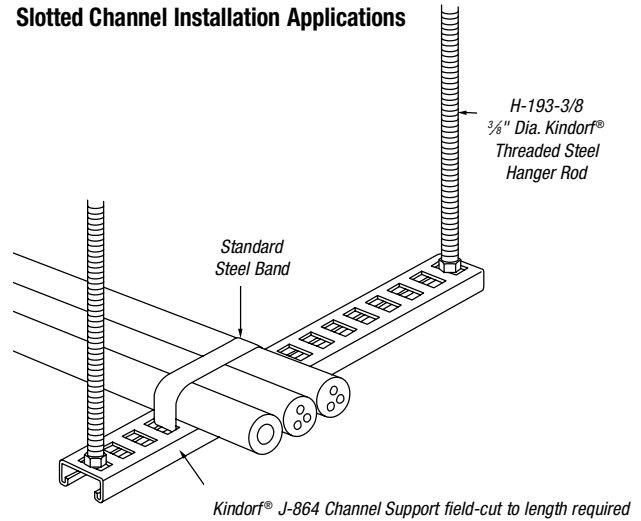
CAT. NO.	DESCRIPTION
J 844	Galv-Krom® Finish

### J-864 Slotted Channel

10' length slotted channel provides “cut to length” versatility. For use with standard marine steel banding. Uniformly spaced slot size  $15/32$ " x  $3/4$ " spaced on  $3/4$ " centers. Cut anywhere along entire length.



#### Slotted Channel Installation Applications



CAT. NO.	DESCRIPTION	WT. LBS./C
J 864	10' Length $3/4$ " Deep Kindorf® Slotted Channel Galv-Krom® finish.	65