

Centium T8 Instant Start

CENTIUM ELE BALLAST (3) F32T8 120-277V

Reliable and energy efficient Philips Advance's Centium commercial grade specifications, plus added benefits of lamp striation reduction technology.

Product data

General Information		Color Output Terminals	
Lamp Type	F32T8	Wire Striplength	No terminals
Number of Lamps	2/3 piece/unit	Lamp Connection	0.50/0.375 mm
Ballast Type	Electronic Fluorescent	Wire Length By Color	Parallel
Base Model	ICN3P32N	Wire Gauge (Nom)	See data sheet
Suitable For Outdoor Use	Yes	Wire Type	18AWG mm
Automatic Restart	Yes	Remote Wiring Configuration Allowed	Solid
		Tandem Wiring Configuration Allowed	Yes
		Through Wiring Configuration Allowed	Yes
		Max Ballast-Lamp Distance Remote Wiring	ES = 6' / Standard = 20'
		Max Ballast-Lamp Distance Tandem Wiring	ES = 6' / Standard = 20'
		Max Ballast-Lamp Distance Through Wiring	ES = 6' / Standard = 20'
		Connector Type	No connector
Operating and Electrical		Temperature	
Input Voltage	120 to 277 V	T-Case Maximum (Nom)	70 °C
Input Frequency	50 to 60 Hz		
Max THD	10 %	Mechanical and Housing	
Starting Method	Instant Start	Housing Material	Metal
Lamp Current Crest Factor (Nom)	1.7	Housing	N
Ignition Time (Nom)	0.1 s	Housing Dimensions	9.5" x 1.3" x 1.0"
Ballast Factor (Nom)	0.88		
Power Factor (Nom)	0.98	Approval and Application	
Input Current (Operating) (Max)	0.71 A	EMC Immunity Standard	FCC Non-Consumer
Input Current (Operating) (Min)	0.31 A		
Input Power (Nom)	85-86 W		
Rated Lamp Watts	32 W		
Wiring			
Color Input Terminals	No terminals		

Centium T8 Instant Start

Approbation Marks	CSA certificate UL certificate CEC Listing CEE
	Rated NEMA Premium NOM certificate RoHS
	Compliant

Sound Rating	A
---------------------	---

UL Recognized	No
----------------------	----

Product Data

Order product name	CENTIUM ICN3P32N35I
---------------------------	---------------------

EAN/UPC - Product	781087091494
--------------------------	--------------

Order code	ICN3P32N35I
-------------------	-------------

Local order code	109108
-------------------------	--------

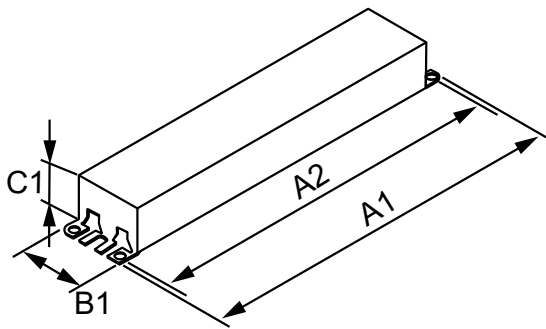
Numerator - Quantity Per Pack	1
--------------------------------------	---

Numerator - Packs per outer box	10
--	----

Material Nr. (12NC)	913701220201
----------------------------	--------------

Net Weight (Piece)	0.441 kg
---------------------------	----------

Dimensional drawing



ELE BALLAST (3) 120-277V F32T8 120-277V

Product	A1	A2	B1	C1
----------------	-----------	-----------	-----------	-----------

