

IHC LED Luminaire

High Lumen Output High Bay and Floodlight for Ordinary Locations

NEC/CEC:

Marine Outside Type (Salt Water) for USA ONLY

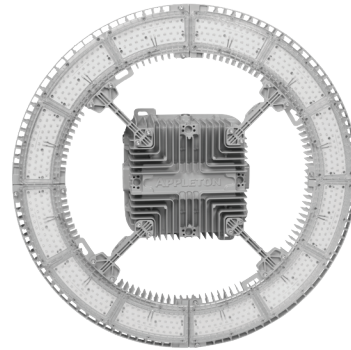
Wet Locations

Type 3R, 4, 4X

IP66

Applications

- Powerful, efficient weatherproof lighting for applications such as:
 - Steel Production Plants
 - Power Generation Facilities
 - Foundries
 - Cement, Stone and Sand Plants
 - Pulp and Paper Mills
 - Ship Building and Shipping Ports
 - Other areas where corrosive, wet, dirty and tough environments are a problem
- High ceilings of 15 meters (50 feet) to greater than 30 meters (100 feet).
- IP66, Type 4X, marine and wet locations.
- Locations requiring dependable, consistent lighting in extreme hot/cold temperature environments.
- -40 °C to +75 °C (-40 °F to +167 °F) ambient temperature range
- Globally rated luminaires with all applicable certification labels for NEC/CEC, NOM, IECEE CB, CE and UKCA environments. See Certifications and Compliances for details.



60,000 and 75,000 Lumen IHC LED

Nominal Lumens ①	Wattage(W) @120 Vac	Wattage(W) @480 Vac	Efficacy (lpw)	Model Number
50,000	358	356	140	IHC_5
60,000	417	407	146	IHC_6
75,000	546	534	139	IHC_7
90,000	640	617	144	IHC_9

① Nominal lumen value for 5000K, Medium Beam, with clear polycarbonate lens. Detailed lumen information pending.

Features

- Four lumen outputs provide up to 90,000 lumens.
- Choice of four optics (Very Narrow, Narrow, Medium and Very Wide) for optimal light distribution in a variety of applications.
- Luminaire can be ordered with Cable or Bracket mounting accessories.
- Separate field wiring compartment with screw terminal block for easy and secure connection (accepts up to UL/CSA 10 AWG maximum).
- Four 3/4 in. NPT side entries provided with three close-up plugs. Optional M20 metric adapters available.
- Choice of color temperature (CCT): 5000K cool white, 4000K neutral white, or 3000K warm white.
- Rugged housing with superior thermal design translates to long luminaire life.
- Heavy duty, high temperature silicone rubber gaskets.
- Thermal shock and impact resistant clear polycarbonate lens.
- Standard 8kV surge protection.
- Captive fasteners secure driver compartment cover.
- 0-10 Vdc Dimming capable.
- Field replaceable LED drivers.

Options

- Pre-wired version with 3 meter (10 foot) cord available.
- 10kV and 20kV Surge Protection.
- Photocontrol socket available for outdoor installations.
- 2.4 meter (8 foot) safety cable, purchase separately.

Standard Materials

- Housing, LED heatsink, and driver compartment cover: copperfree (4/10 of 1% max.) aluminum
- Bracket: zinc plated steel
- Gaskets: silicone rubber
- Exterior hardware: stainless steel
- Close up plugs: aluminum
- Cable mount components: stainless steel
- Safety cable: stainless steel

Standard Finishes

- Housing, LED heatsink, driver compartment cover and bracket: baked gray epoxy powder coat finish, electrostatically applied for complete uniform protection

Certifications and Compliances

- UL Standards:
 - UL1598, Luminaires
 - UL1598A, Luminaires for Installation on Marine Vessels
 - UL 8750, LED Equipment for Use in Lighting Products
 - UL 50, UL 50E, Enclosures
- CSA Standards:
 - CSA C22.2 No. 250.0, Luminaires
 - CSA C22.2 No. 250.13, LED Equipment for Use in Lighting Products
 - CSA C22.2 No. 94.1, CSA C22.2 No. 94.2, Enclosures
- cULus Certificate: E479986
- IECEE CB Certificates and Compliances:
 - IEC 60529, IEC 60598-1, IEC 60598-2-1, and IEC 60598-2-5
 - IECEE CB Certificates: pending
- CE and UKCA Marking:
 - Safety: EN 60598-1, EN 60598-2-1, and EN 60598-2-5
 - EMC: IEC 61547, 61000-6-2, 61000-6-4, 61000-3-2; CISPR 15
- NOM: Norma Oficial Mexicana:
 - NMX-J-307
 - NOM Certificate: pending

DesignLights™ Consortium

- Models pending.

IHC LED Luminaire

High Lumen Output High Bay and Floodlight for Ordinary Locations

NEC/CEC:

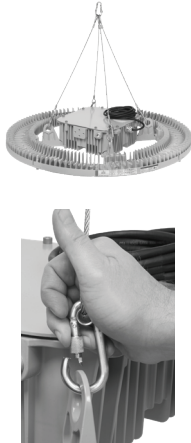
Marine Outside Type (Salt Water) for USA ONLY

Wet Locations

Type 3R, 4, 4X

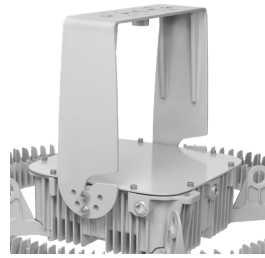
IP66

Illustrated Features



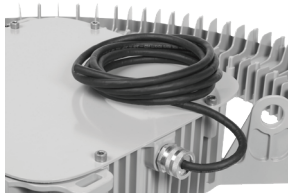
Cable Mounting

Labor saving mounting means allows for safe and secure attachment to ceiling structure for typical high bay installations. Simply clip stainless steel locking carabiner and cable assembly to four fixture connection points. Then combine four opposite looped ends of stainless steel cable within additional corrosion resistant locking carabiner to create a single attachment point above fixture.



Bracket Mounting

Sturdy bracket mounting is the best option for flush mounting the fixture to a ceiling or underneath a crane. The bracket can also be mounted to a wall, column or floor for floodlighting applications. Fixture can be adjusted to 0°, 15°, 30° and 45° set points and secured in place with bolt and lock washer combination. The bracket and fixture stand up to heavy vibrations with a 3G rating. The top of the bracket has multiple hole patterns to retrofit to competitor's mounting hardware. Bracket cannot be attached to a poletop slip-fitter.



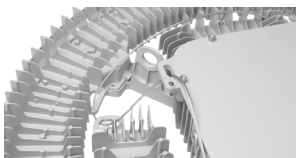
Pre-Wired Option

10-foot-long, 600V rated, Type SOOW listed cord and weather resistant cord grip allow for quick electrical connections. There is no need to open the wiring compartment in the field. Terminate cable into electrical box and hardwire fixture or field install a plug end. Standard 3-conductor version available for power connections. 5-conductor version available for power plus dimming wiring.



3/4 Inch NPT Hub with Set-screw

Easily attach an Appleton FHLM-75 Hanger Loop or rigid conduit pendant stem and secure in place with set-screw.



8-Foot-Long Safety Cable

Stainless steel safety cable is threaded through the cast secondary retention points in the housing and LED heatsinks for additional safety.



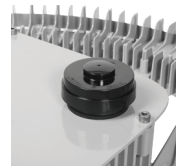
U-bolt Attachment to 2-Inch Rigid Conduit

Secure bracket to conduit with properly sized u-bolts, purchased separately.



Driver Assembly

Replaceable drivers are suitable for use in wet locations and offer standard 8 kV surge and over temperature protection.



5 Pin NEMA Socket

Receptacle allows for easy attachment of photocontrol (purchase separately) or other smart lighting device. Dimming capable at 120-480 Vac. Ships with shorting cap.



M20 Metric Adapter

Optional adapter may be ordered. Ships with one adapter. Three remaining 3/4" NPT entries have aluminum close up plugs installed.

IHC LED Luminaire

High Lumen Output High Bay and Floodlight for Ordinary Locations

NEC/CEC:

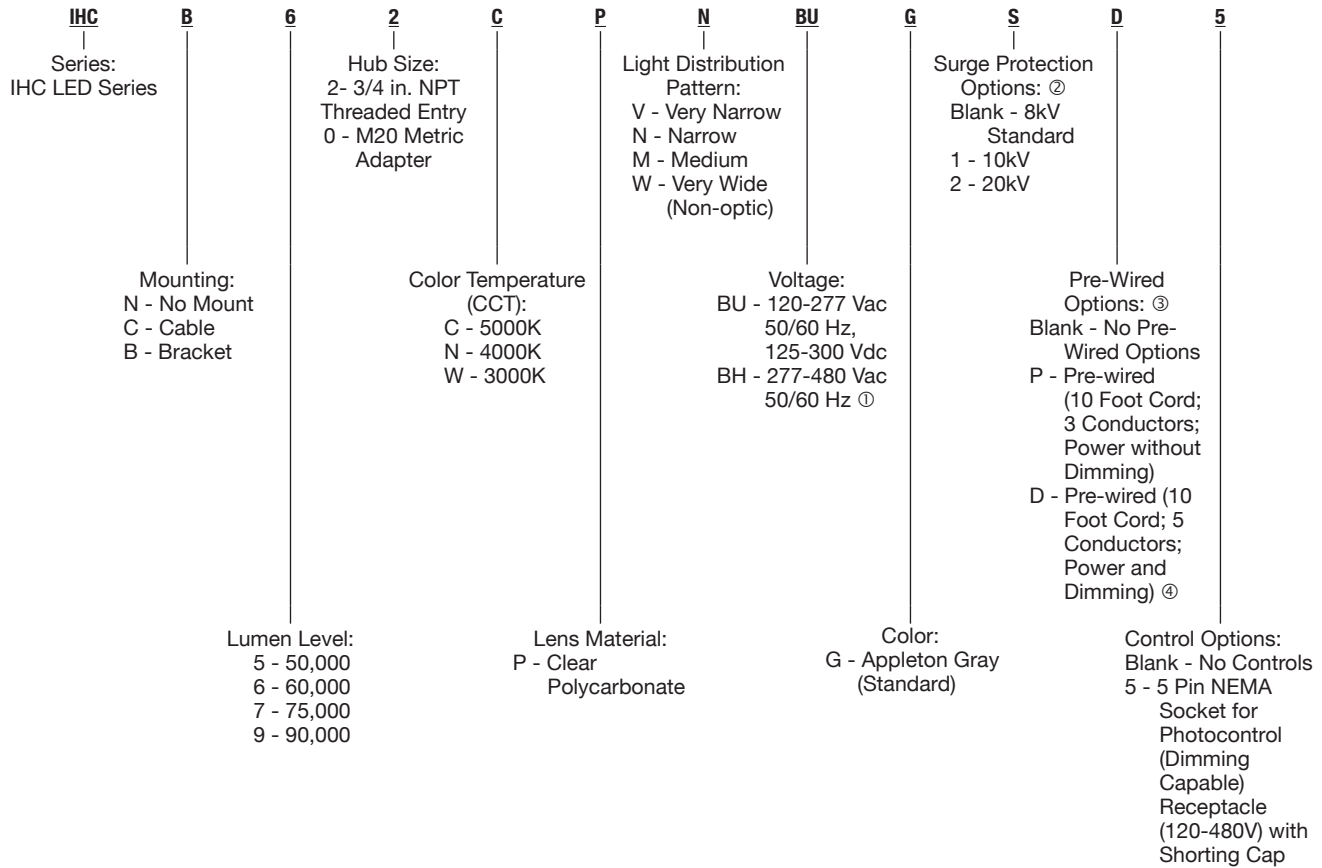
Marine Outside Type (Salt Water) for USA ONLY

Wet Locations

Type 3R, 4, 4X

IP66

Catalog Numbering Guide



LED/HIGH BAY: NEC/CEC ORDINARY LOCATION

APPLETON™

① Select BH for 277 Vac installations in facilities with power quality concerns. BH option designed with high ground fault protection and protects against dropped neutral occurrences.

② Additional Surge Protection Certifications:

10kV BU: NEC, CEC, CE/UKCA

10kV BH: NEC, CEC

20kV BU: NEC, CEC, CE/UKCA

20kV BH: NEC, CEC

③ Pre-Wired Options only available per cULus Certification. Options not available per IECEE Certification.

④ Pre-Wired Option "D" cannot be selected with Control Option "5".

IHC LED Luminaire

High Lumen Output High Bay and Floodlight for Ordinary Locations

NEC/CEC:

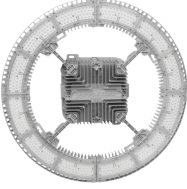
Marine outside type (salt water) for USA Only

Wet locations

Type 3R, 4, 4X

IP66

Lumen Output Tables – IHC

Diffusion	Color Temperature CCT	Color Rendering Index CRI	Lumen Output ①	Wattage	Efficacy (lm/W)	Optical Pattern	Catalog Number ②
 <p>Clear Polycarbonate</p> <p>5000K Cool White</p> <p>70</p>			51,100	364	140	Very Narrow	IHC_52CPVBHG
			50,800		140	Narrow	IHC_52CPNBHG
			50,900		140	Medium	IHC_52CPMBHG
			45,850	417	130	Very Wide (non-optic)	IHC_52CPWBHG
			61,200		147	Very Narrow	IHC_62CPVBHG
			60,900		146	Narrow	IHC_62CPNBHG
			61,000	545	146	Medium	IHC_62CPMBHG
			55,400		137	Very Wide (non-optic)	IHC_62CPWBHG
			75,900		139	Very Narrow	IHC_72CPVBHG
			75,600	631	139	Narrow	IHC_72CPNBHG
			75,500		139	Medium	IHC_72CPMBHG
			68,800		130	Very Wide (non-optic)	IHC_72CPWBHG
			91,300	631	145	Very Narrow	IHC_92CPVBHG
			90,600		144	Narrow	IHC_92CPNBHG
			90,900		144	Medium	IHC_92CPMBHG
			82,900		135	Very Wide (non-optic)	IHC_92CPWBHG

4000K Neutral White and 3000K Warm White photometric testing is in progress and will be available soon.

LED/HIGH BAY: NEC/CEC ORDINARY LOCATION



① All lumen values and wattage typical (tolerance +/- 10%)

② The fourth character indicates Mounting. Replace underscore “_” with **N** – No Mount, **C** – Cable, or **B** – Bracket. For 120-277 Vac, 125-300 Vdc voltage, change **BH** to **BU**. See Catalog Numbering Guide for additional options and certification restrictions.

IHC LED Luminaire

High Lumen Output High Bay and Floodlight for Ordinary Locations

NEC/CEC:

Marine Outside Type (Salt Water) for USA ONLY

Wet Locations

Type 3R, 4, 4X

IP66

Electrical Ratings ①

Voltage Suffix	Voltage (V)	Input Power (Watts)	Input Current (Amps)	Power Factor (PF)	Total Harmonic Distortion (THD)	Model Number
IHC						
BU	120 Vac	360	3.00	> 0.9	< 20%	IHC_5
	277 Vac	350	1.36			
	125 Vdc	360	2.86	N/A	N/A	
	300 Vdc	350	1.16			
BH	277 Vac	360	1.32	> 0.9	< 20%	
	347 Vac	360	1.06			
	480 Vac	360	0.82			
BU	120 Vac	420	3.61	> 0.9	< 20%	IHC_6
	277 Vac	400	1.54			
	125 Vdc	420	3.32	N/A	N/A	
	300 Vdc	400	1.34			
BH	277 Vac	410	1.50	> 0.9	< 20%	
	347 Vac	410	1.20			
	480 Vac	410	0.91			
BU	120 Vac	550	4.71	> 0.9	< 20%	IHC_7
	277 Vac	530	2.03			
	125 Vdc	540	4.29	N/A	N/A	
	300 Vdc	520	1.74			
BH	277 Vac	540	1.98	> 0.9	< 20%	
	347 Vac	540	1.35			
	480 Vac	530	1.22			
BU	120 Vac	640	5.36	> 0.9	< 20%	IHC_9
	277 Vac	620	2.23			
	125 Vdc	640	5.11	N/A	N/A	
	300 Vdc	620	2.07			
BH	277 Vac	630	2.30	> 0.9	< 20%	
	347 Vac	620	0.98			
	480 Vac	620	1.36			

LED/HIGH BAY: NEC/CEC ORDINARY LOCATION

APPLETON™

Surge Protection: Integral 8kV surge protection. Option for up to 10kV and 20kV surge protection. See Catalog Numbering Guide for certification restrictions.

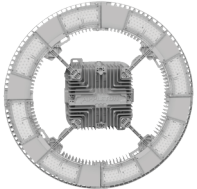
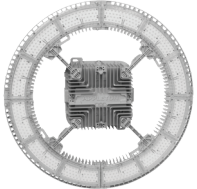
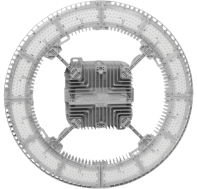
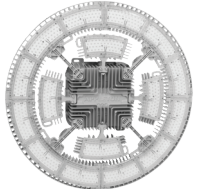
① All ratings are typical.

IHC LED Luminaire

High Lumen Output High Bay and Floodlight for Ordinary Locations

NEC/CEC:
Marine Outside Type (Salt Water) for USA ONLY
Wet Locations
Type 3R, 4, 4X
IP66

Lumen Output Tables – IHC

	LED Arrays	Drivers	Weight Without Bracket	Dimensions Without Bracket or NEMA Socket	Ambient Temperature at 480 Vac	
IHC_5 - 50,000 Lumens		8	2	26.0 kg (57.4 lbs)	977 x 155 mm (38.4 in. x 6.1 in.)	75 °C (167 °F)
IHC_6 - 60,000 Lumens		12	2	26.9 kg (59.3 lbs)	977 x 155 mm (38.4 in. x 6.1 in.)	70 °C (158 °F)
IHC_7 - 75,000 Lumens		12	3	28.2 kg (62.2 lbs)	977 x 155 mm (38.4 in. x 6.1 in.)	70 °C (158 °F)
IHC_9 - 90,000 Lumens		16	3	32.7 kg (72 lbs)	977 x 155 mm (38.4 in. x 6.1 in.)	65 °C (149 °F)

Maximum Ambient Temperature Rating per Driver and Voltage Range

Lumen Output	BU Driver		BH Driver
	120 to 208 Vac 125 to 300 Vdc	220 to 277 Vac	277 to 480 Vac
IHC_5 - 50,000	75 °C (167 °F)	75 °C (167 °F)	75 °C (167 °F)
IHC_6 - 60,000	70 °C (158 °F)	75 °C (167 °F)	70 °C (158 °F)
IHC_7 - 75,000	70 °C (158 °F)	75 °C (167 °F)	70 °C (158 °F)
IHC_9 - 90,000	65 °C (149 °F)	70 °C (158 °F)	65 °C (149 °F)

LED/HIGH BAY: NEC/CEC ORDINARY LOCATION

APPLETON

IHC LED Luminaire

High Lumen Output High Bay and Floodlight for Ordinary Locations

NEC/CEC:

Marine Outside Type (Salt Water) for USA ONLY

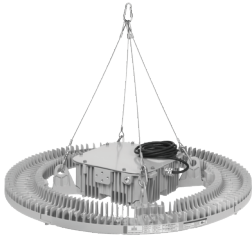
Wet Locations

Type 3R, 4, 4X

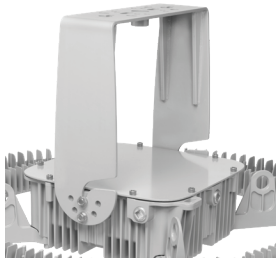
IP66

Mounting Options

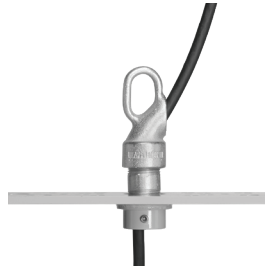
Cable
Length: 550 mm (21.65 in.)



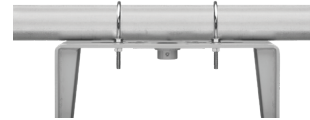
Bracket
Length: 335 mm (13.2 in.)



Threaded hook (3/4 in.) and cord

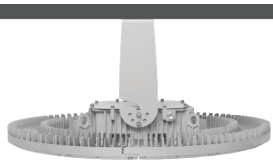


Pipe (2 in. Rigid Metal Conduit)

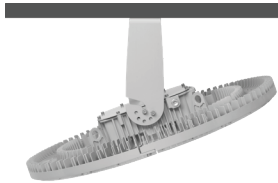


Bracket Mounting Angles

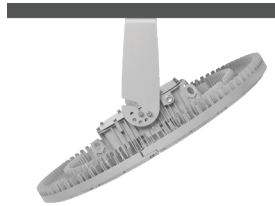
Ceiling Mount



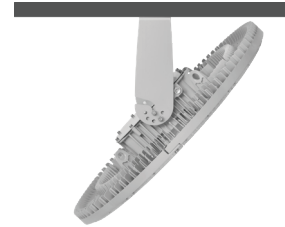
0°



15°



30°

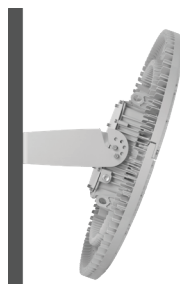


45°

Wall Mount

Luminaire may be positioned facing down or up.

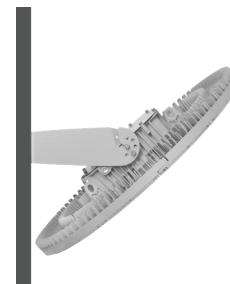
Bracket cannot be installed on poletop slip-fitters.



15°



30°



45°

Floor Mount



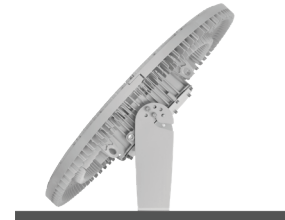
0°



15°



30°



45°

LED/HIGH BAY - NEC/CEC ORDINARY LOCATION

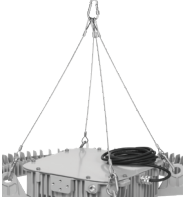
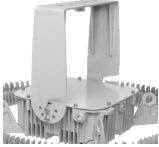


APPLETON™

IHC LED Luminaire

High Lumen Output High Bay and Floodlight for Ordinary Locations

NEC/CEC:
Marine Outside Type (Salt Water) for USA ONLY
Wet Locations
Type 3R, 4, 4X
IP66

Accessories and Replacement Parts

	Description	Catalog Number
IHC LED Cable Mounting Assembly		
	<p>Assembly consists of:</p> <ul style="list-style-type: none"> - (4) 550 mm (21.65 in.) stainless steel cable and locking carabiner combinations - (1) stainless steel locking carabiner <p>Cable and carabiner combo secure to four luminaire attachment points. Opposite crimped looped ends of cables combine within remaining carabiner for attachment to ceiling structure</p>	IHCABLE
IHC LED Bracket Mounting Kit (Hardware Included)		
	<p>Kit includes:</p> <ul style="list-style-type: none"> - (1) 335 mm (13.2 in.) long bracket - (4) 3/8-16 X 7/8 hex head stainless steel bolt and lock washer combos 	IHCBRKTL
Safety cable		
	Stainless steel - 4 feet	LEDSC
	Stainless steel - 8 feet	LEDSC8
Safety Support Hooks		
	<p>3/4 inch Male Hanger Loop 5/8 inch diameter wireway 75.4 kg (166 lbs.) weight rating</p>	FHLM-75

LED/HIGH BAY: NEC/CEC ORDINARY LOCATION

APPLETON

IHC LED Luminaire

High Lumen Output High Bay and Floodlight for Ordinary Locations

NEC/CEC:


Marine Outside Type (Salt Water) for USA ONLY

Wet Locations

Type 3R, 4, 4X

IP66

Replacement Drivers

	Voltage	Driver Wattage	Constant Current Setting	Luminaire Model	Number of Drivers per Luminaire	CCT	Catalog Number
	BU	240 Watt	976mA	IHC_5	2	3000K, 4000K, 5000K	APMS240UD976
	BH	240 Watt	976mA	IHC_5	2	3000K, 4000K, 5000K	APMS240HD976
	BU	240 Watt	1152mA	IHC_6	2	3000K, 4000K, 5000K	APMS240UD1152
	BH	240 Watt	1152mA	IHC_6	2	3000K, 4000K, 5000K	APMS240HD1152
	BU	240 Watt	976mA	IHC_7	3	3000K, 4000K, 5000K	APMS240UD976
	BH	240 Watt	976mA	IHC_7	3	3000K, 4000K, 5000K	APMS240HD976
	BU	240 Watt	1152mA	IHC_9	3	3000K, 4000K, 5000K	APMS240UD1152
	BH	240 Watt	1152mA	IHC_9	3	3000K, 4000K, 5000K	APMS240HD1152

IHC Luminaire and Accessory Weights

Description	Weight in kg (lbs)
IHC_5 - 50,000 Lumen Luminaire ①	26.0 (57.4)
IHC_6 - 60,000 Lumen Luminaire ①	26.9 (59.3)
IHC_7 - 75,000 Lumen Luminaire ①	28.2 (62.2)
IHC_9 - 90,000 Lumen Luminaire ①	32.7 (72.0)
IHCBKTL - Mounting Bracket	7.0 (15.6)
IHCABLE - Mounting Cable	0.5 (1.1)
LEDSC - 4 Foot Safety Cable	0.2 (0.4)
LEDSC8 - 8 Foot Safety Cable	0.4 (0.8)

① Fixture weight is for No Mount option, Very Wide (Non-optic) light distribution, BU driver, and no pre-wired, surge and NEMA socket options.

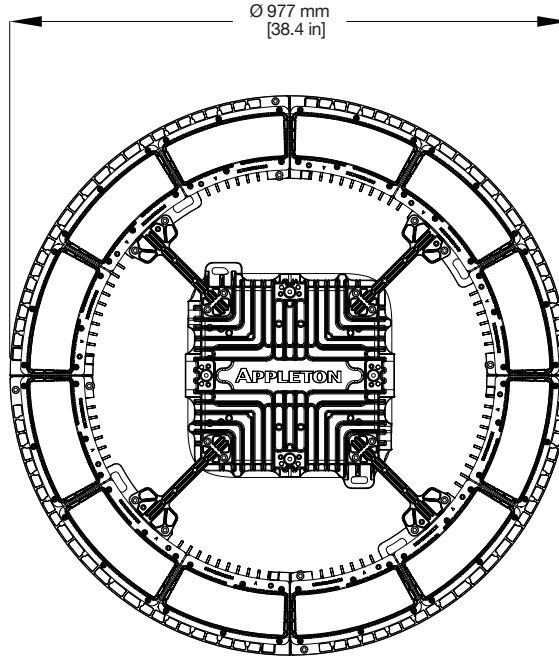
IHC LED Luminaire

High Lumen Output High Bay and Floodlight for Ordinary Locations

NEC/CEC:
 Marine Outside Type (Salt Water) for USA ONLY
 Wet Locations
 Type 3R, 4, 4X
 IP66

Dimensions in Millimeters (Inches)

IHC Models

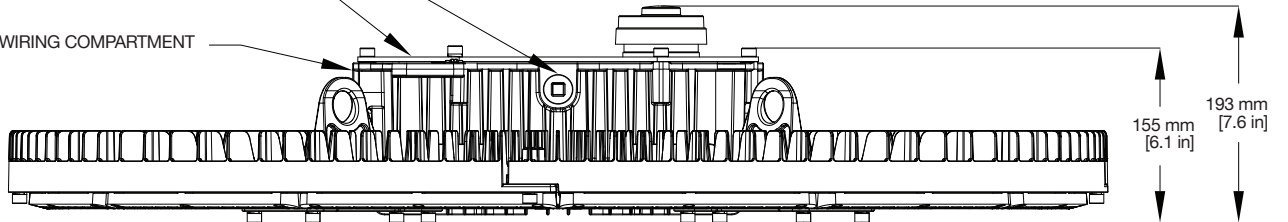


IHC Models

CONDUIT/CABLE ENTRY OPTIONS
 HUB SIZE 3/4" PER SIDE

WIRING COMPARTMENT COVER

WIRING COMPARTMENT



LED / HIGH BAY: NEC/CEC ORDINARY LOCATION

APPLETON

IHC LED Luminaire

High Lumen Output High Bay and Floodlight for Ordinary Locations

NEC/CEC:
 Marine Outside Type (Salt Water) for USA ONLY
 Wet Locations
 Type 3R, 4, 4X
 IP66

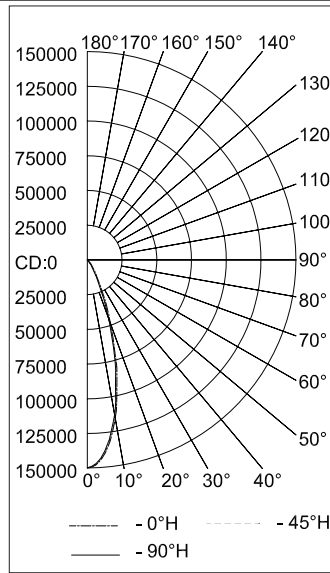
Photometric Data – DATA SHOWN IS ABSOLUTE

Very Narrow Distribution, Clear Polycarbonate

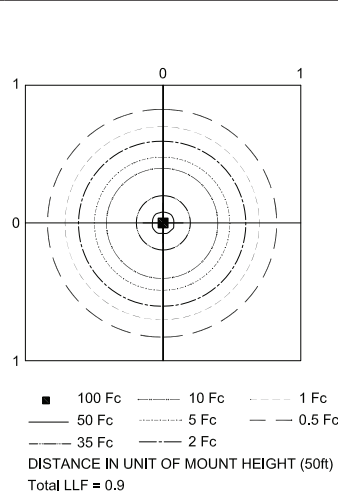
REPORT NUMBER: IHC5CPVBH

Luminaire Lumens 50,852

POLAR CANDELA DISTRIBUTION



ISOFOOT CANDLE PLOT



ZONAL LUMEN SUMMARY

Zone	Lumens	% Luminaire
0-30	43,530.0	85.6%
0-40	46,916.9	92.3%
0-60	49,482.5	97.3%
60-90	1,265.6	2.5%
70-100	617.2	1.2%
90-120	36.6	0.1%
0-90	50,748.1	99.8%
90-180	104.3	0.2%
0-180	50,852.4	100%

LUMENS PER ZONE

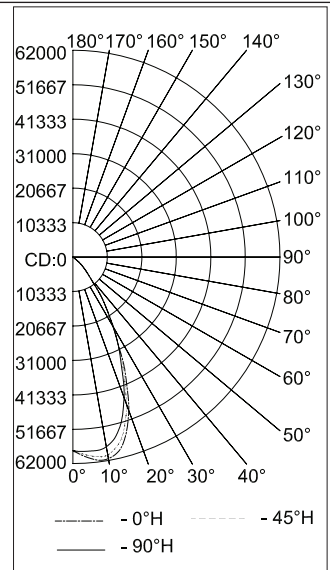
Zone	Lumens	% Total	Zone
0-10	12,376.3	24.3%	90-100
10-20	20,660.9	40.6%	100-110
20-30	10,492.9	20.6%	110-120
30-40	3,386.9	6.7%	120-130
40-50	1,565.3	3.1%	130-140
50-60	1,000.3	2.0%	140-150
60-70	672.7	1.3%	150-160
70-80	453.4	0.9%	160-170
80-90	139.5	0.3%	170-180

Narrow Distribution, Clear Polycarbonate

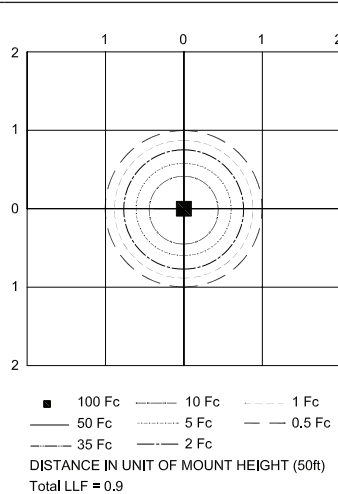
REPORT NUMBER: IHC5CPNBH

Luminaire Lumens 50,748

POLAR CANDELA DISTRIBUTION



ISOFOOT CANDLE PLOT



ZONAL LUMEN SUMMARY

Zone	Lumens	% Luminaire
0-30	35,444.9	69.8%
0-40	44,517.2	87.7%
0-60	48,927.1	96.4%
60-90	1,704.1	3.4%
70-100	896.8	1.8%
90-120	52.5	0.1%
0-90	50,631.2	99.8%
90-180	117.3	0.2%
0-180	50,748.4	100%

LUMENS PER ZONE

Zone	Lumens	% Total	Zone
0-10	5,548.7	10.9%	90-100
10-20	14,600.8	28.8%	100-110
20-30	15,295.3	30.1%	110-120
30-40	9,072.3	17.9%	120-130
40-50	3,176.8	6.3%	130-140
50-60	1,233.1	2.4%	140-150
60-70	844.2	1.7%	150-160
70-80	611.0	1.2%	160-170
80-90	248.9	.5%	170-180

LED/HIGH BAY: NEC/CEC ORDINARY LOCATION

APPLETON

IHC LED Luminaire

High Lumen Output High Bay and Floodlight for Ordinary Locations

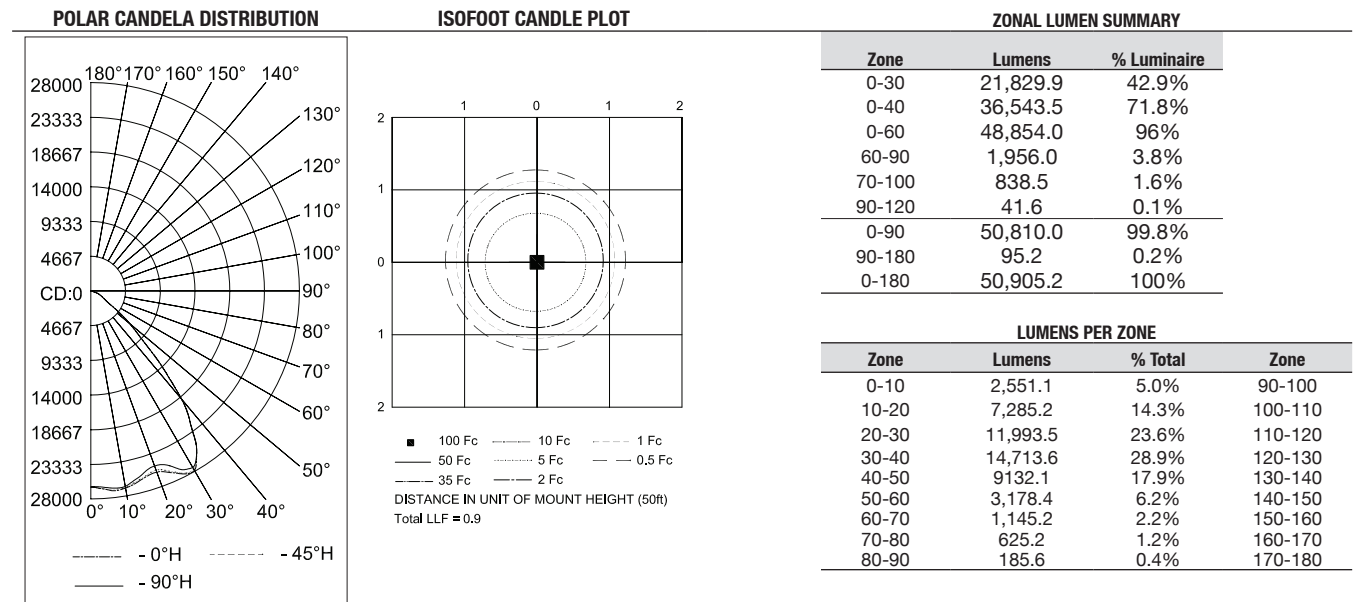
NEC/CEC:
 Marine Outside Type (Salt Water) for USA ONLY
 Wet Locations
 Type 3R, 4, 4X
 IP66

Photometric Data – DATA SHOWN IS ABSOLUTE

Medium Distribution, Clear Polycarbonate

REPORT NUMBER: IHC5CPMBH

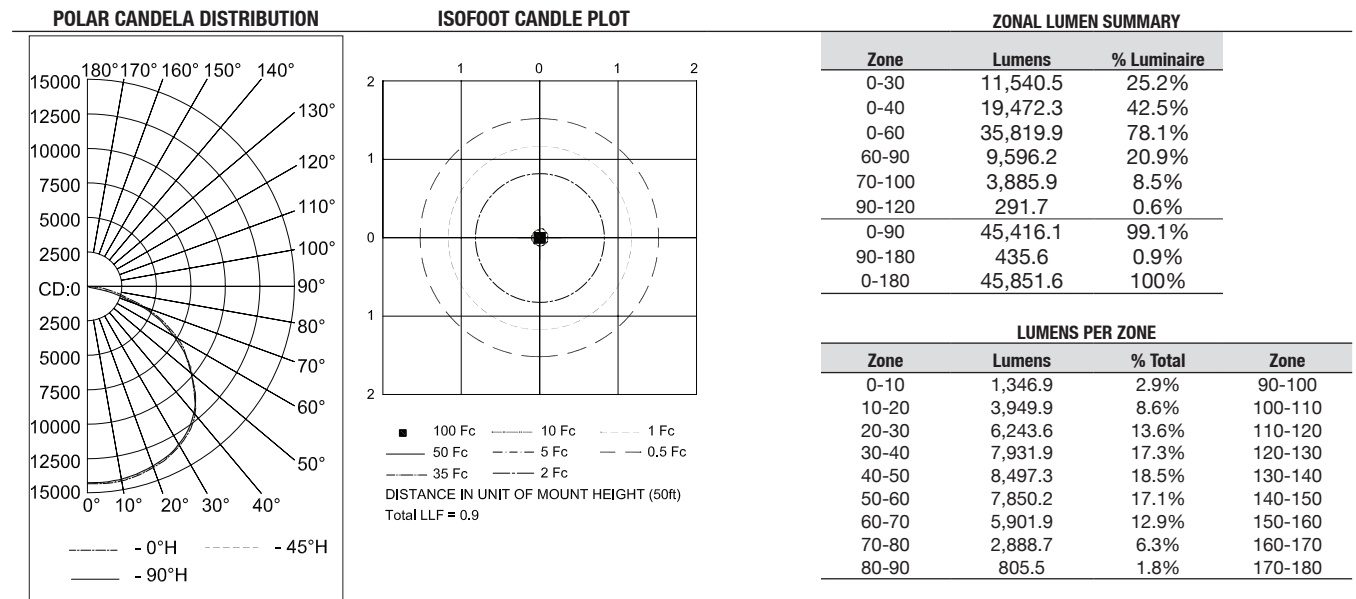
Luminaire Lumens 50,905



Very Wide (Non-Optic) Distribution, Clear Polycarbonate

REPORT NUMBER: IHC5CPWBH

Luminaire Lumens 45,853



IHC LED Luminaire

High Lumen Output High Bay and Floodlight for Ordinary Locations

NEC/CEC:
 Marine Outside Type (Salt Water) for USA ONLY
 Wet Locations
 Type 3R, 4, 4X
 IP66

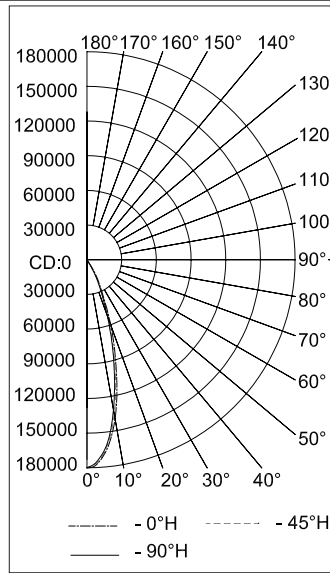
Photometric Data – DATA SHOWN IS ABSOLUTE

Very Narrow Distribution, Clear Polycarbonate

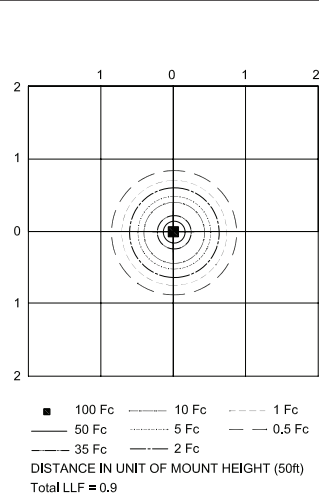
REPORT NUMBER: IHC6CPVBH

Luminaire Lumens 60,937

POLAR CANDELA DISTRIBUTION



ISOFOOT CANDLE PLOT



ZONAL LUMEN SUMMARY

Zone	Lumens	% Luminaire
0-30	52,162.7	85.6%
0-40	56,221.2	92.3%
0-60	59,295.7	97.3%
60-90	1,516.6	2.5%
70-100	739.6	1.2%
90-120	43.9	0.1%
0-90	60,812.2	99.8%
90-180	125.0	0.2%
0-180	60,937.2	100%

LUMENS PER ZONE

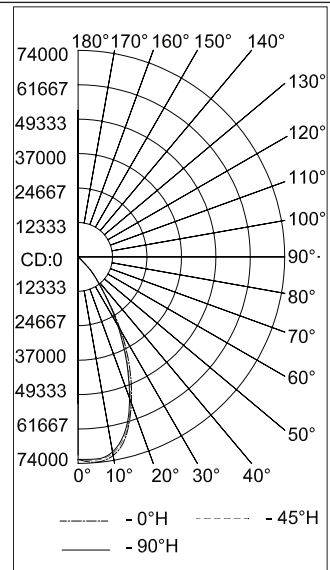
Zone	Lumens	% Total	Zone
0-10	14,830.7	24.3%	90-100
10-20	24,758.2	40.6%	100-110
20-30	12,573.8	20.6%	110-120
30-40	4,058.5	6.7%	120-130
40-50	1,875.7	3.1%	130-140
50-60	1,198.7	2.0%	140-150
60-70	806.1	1.3%	150-160
70-80	543.3	0.9%	160-170
80-90	167.2	0.3%	170-180

Narrow Distribution, Clear Polycarbonate

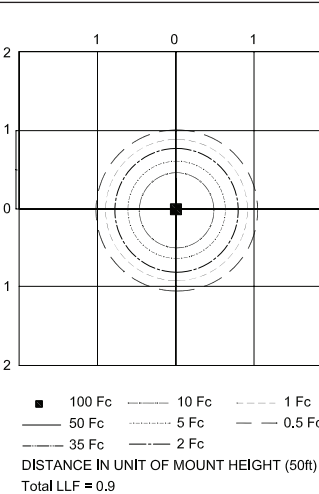
REPORT NUMBER: IHC6CPNBH

Luminaire Lumens 60,812

POLAR CANDELA DISTRIBUTION



ISOFOOT CANDLE PLOT



ZONAL LUMEN SUMMARY

Zone	Lumens	% Luminaire
0-30	42,588.5	70%
0-40	53,317.0	87.7%
0-60	58,669.6	96.5%
60-90	1,997.5	3.3%
70-100	989.7	1.6%
90-120	66.6	0.1%
0-90	60,667.1	99.8%
90-180	145.5	0.2%
0-180	60,812.6	100%

LUMENS PER ZONE

Zone	Lumens	% Total	Zone
0-10	6,838.4	11.2%	90-100
10-20	17,580.4	28.9%	100-110
20-30	18,169.7	29.9%	110-120
30-40	10,728.6	17.6%	120-130
40-50	3,818.9	6.3%	130-140
50-60	1,533.7	2.5%	140-150
60-70	1,052.7	1.7%	150-160
70-80	712.0	1.2%	160-170
80-90	232.9	0.4%	170-180

LED/HIGH BAY: NEC/CEC ORDINARY LOCATION

APPLETON

IHC LED Luminaire

High Lumen Output High Bay and Floodlight for Ordinary Locations

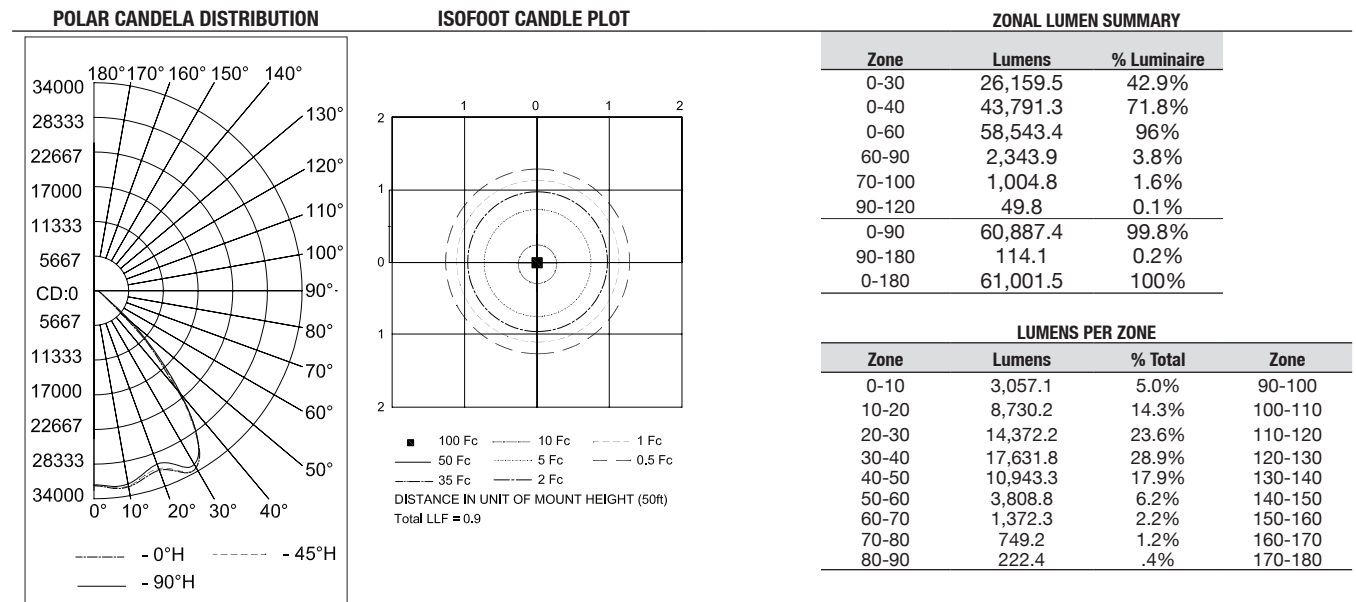
NEC/CEC:
 Marine Outside Type (Salt Water) for USA ONLY
 Wet Locations
 Type 3R, 4, 4X
 IP66

Photometric Data – DATA SHOWN IS ABSOLUTE

Medium Distribution, Clear Polycarbonate

REPORT NUMBER: IHC6CPMBH

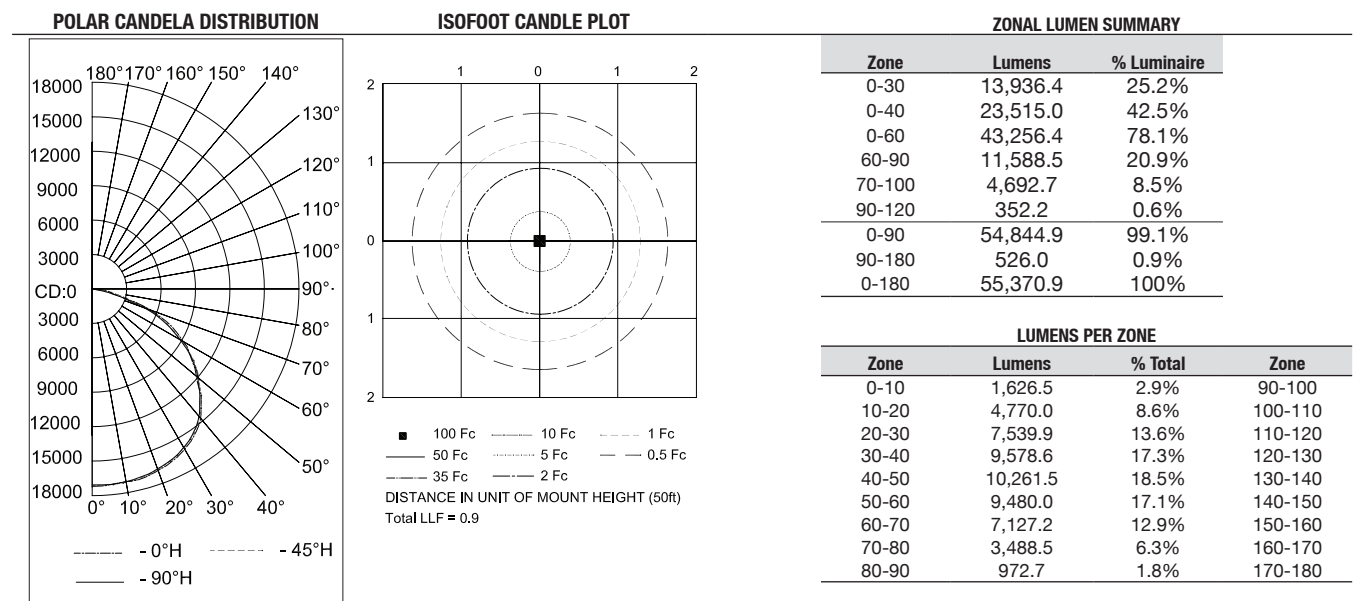
Luminaire Lumens 61,001



Very Wide (Non-Optic) Distribution, Clear Polycarbonate

REPORT NUMBER: IHC6CPWBH

Luminaire Lumens 55,373



IHC LED Luminaire

High Lumen Output High Bay and Floodlight for Ordinary Locations

NEC/CEC:
 Marine Outside Type (Salt Water) for USA ONLY
 Wet Locations
 Type 3R, 4, 4X
 IP66

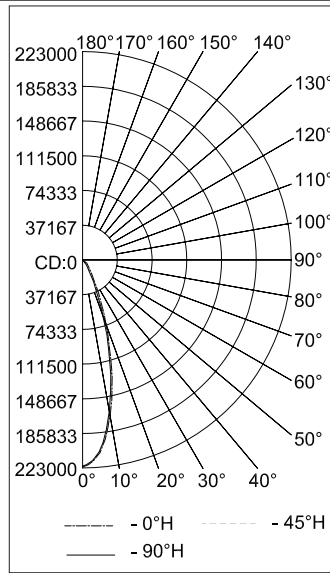
Photometric Data – DATA SHOWN IS ABSOLUTE

Very Narrow Distribution, Clear Polycarbonate

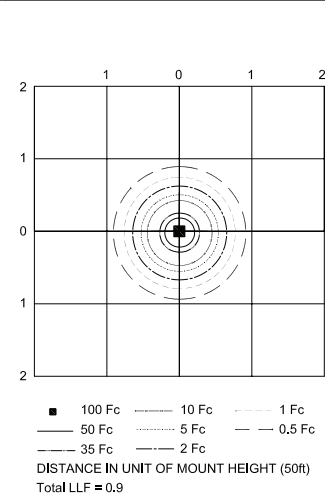
REPORT NUMBER: IHC7CPVBH

Luminaire Lumens 75,593

POLAR CANDELA DISTRIBUTION



ISOFOOT CANDLE PLOT



ZONAL LUMEN SUMMARY

Zone	Lumens	% Luminaire
0-30	64,708.1	85.6%
0-40	69,742.8	92.3%
0-60	73,556.6	97.3%
60-90	1,881.3	2.5%
70-100	917.4	1.2%
90-120	54.4	0.1%
0-90	75,437.9	99.8%
90-180	155.0	0.2%
0-180	75,593.0	100%

LUMENS PER ZONE

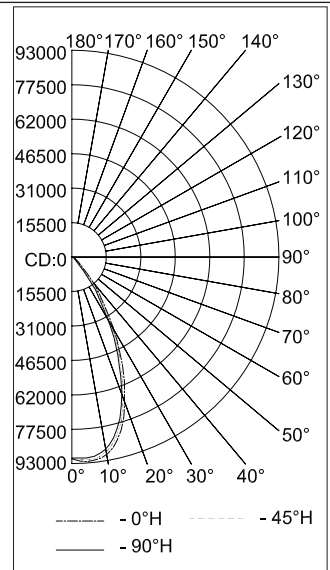
Zone	Lumens	% Total	Zone
0-10	18,397.6	24.3%	90-100
10-20	30,712.7	40.6%	100-110
20-30	15,597.9	20.6%	110-120
30-40	5,034.6	6.7%	120-130
40-50	2,326.9	3.1%	130-140
50-60	1,487.0	2.0%	140-150
60-70	999.9	1.3%	150-160
70-80	674.0	0.9%	160-170
80-90	207.4	0.3%	170-180

Narrow Distribution, Clear Polycarbonate

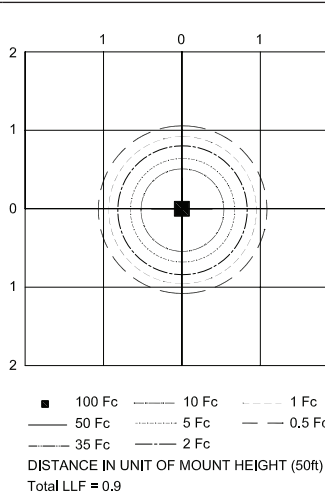
REPORT NUMBER: IHC7CPNBH

Luminaire Lumens 75,436

POLAR CANDELA DISTRIBUTION



ISOFOOT CANDLE PLOT



ZONAL LUMEN SUMMARY

Zone	Lumens	% Luminaire
0-30	52,909.9	70.1%
0-40	66,150.7	87.7%
0-60	72,763.2	96.5%
60-90	2,487.7	3.3%
70-100	1,234.1	1.6%
90-120	85.5	0.1%
0-90	75,251.0	99.8%
90-180	185.6	0.2%
0-180	75,436.6	100%

LUMENS PER ZONE

Zone	Lumens	% Total	Zone
0-10	8,549.2	11.3%	90-100
10-20	21,856.2	29.0%	100-110
20-30	22,504.5	29.8%	110-120
30-40	13,240.8	17.6%	120-130
40-50	4,711.7	6.2%	130-140
50-60	1,900.9	2.5%	140-150
60-70	1,310.3	1.7%	150-160
70-80	887.3	1.2%	160-170
80-90	290.1	0.4%	170-180

LED/HIGH BAY: NEC/CEC ORDINARY LOCATION

APPLETON™

IHC LED Luminaire

High Lumen Output High Bay and Floodlight for Ordinary Locations

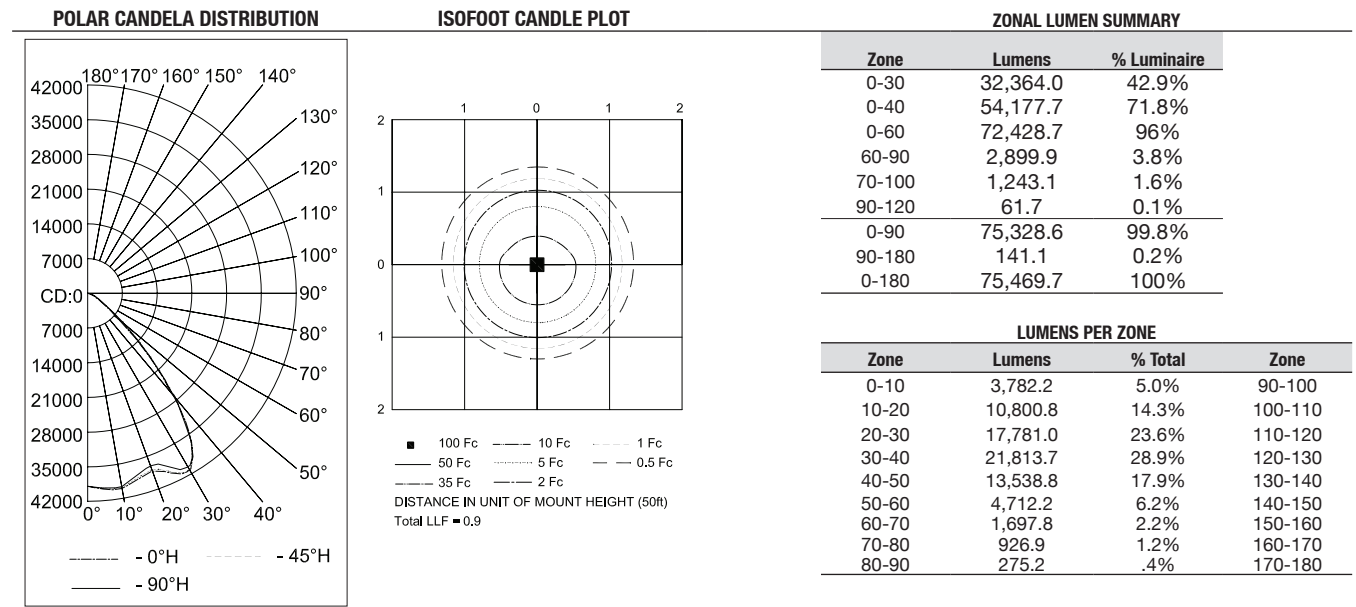
NEC/CEC:
 Marine Outside Type (Salt Water) for USA ONLY
 Wet Locations
 Type 3R, 4, 4X
 IP66

Photometric Data – DATA SHOWN IS ABSOLUTE

Medium Distribution, Clear Polycarbonate

REPORT NUMBER: IHC7CPMBH

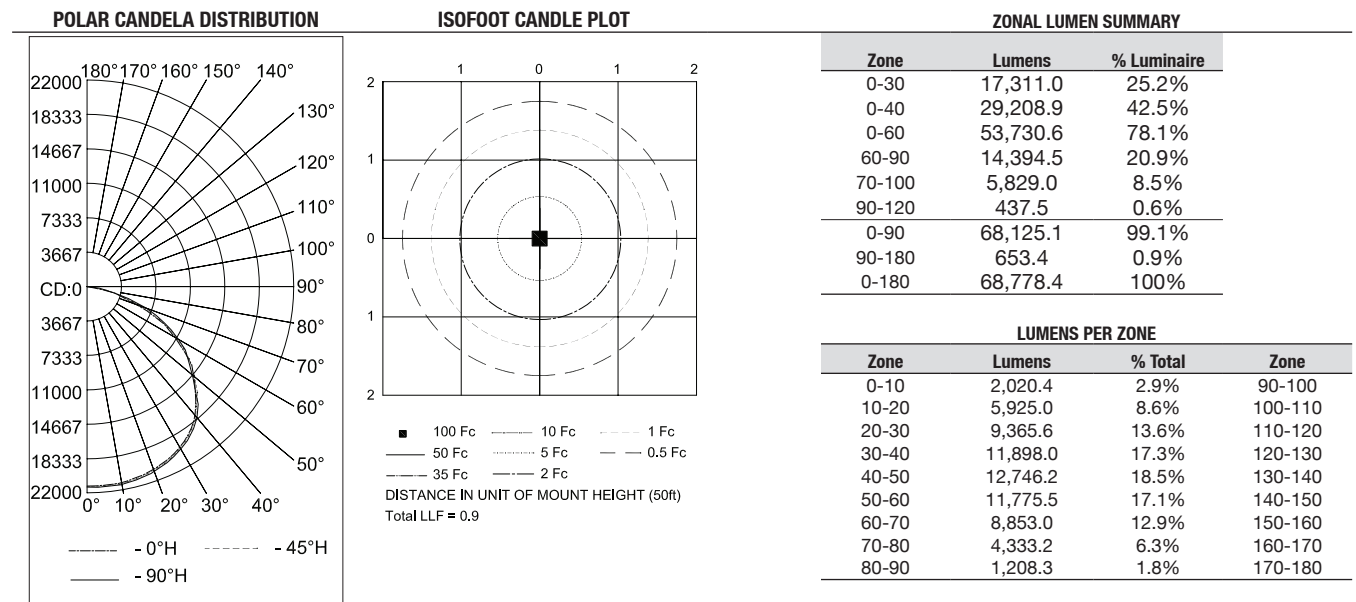
Luminaire Lumens 75,469



Very Wide (Non-Optic) Distribution, Clear Polycarbonate

REPORT NUMBER: IHC7CPWBH

Luminaire Lumens 68,781



IHC LED Luminaire

High Lumen Output High Bay and Floodlight for Ordinary Locations

NEC/CEC:
 Marine Outside Type (Salt Water) for USA ONLY
 Wet Locations
 Type 3R, 4, 4X
 IP66

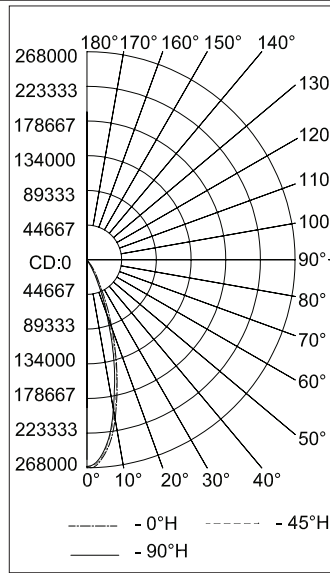
Photometric Data – DATA SHOWN IS ABSOLUTE

Very Narrow Distribution, Clear Polycarbonate

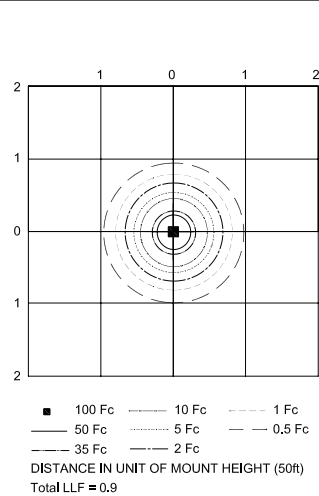
REPORT NUMBER: IHC9CPVBH

Luminaire Lumens 90,939

POLAR CANDELA DISTRIBUTION



ISOFOOT CANDLE PLOT



ZONAL LUMEN SUMMARY

Zone	Lumens	% Luminaire
0-30	77,845.2	85.6%
0-40	83,901.9	92.3%
0-60	88,490.1	97.3%
60-90	2,263.3	2.5%
70-100	1,103.8	1.2%
90-120	65.2	0.1%
0-90	90,753.4	99.8%
90-180	186.1	0.2%
0-180	90,939.5	100%

LUMENS PER ZONE

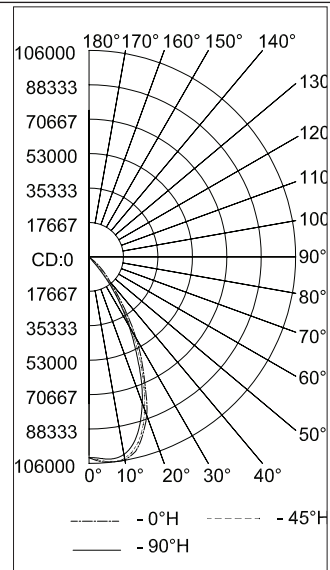
Zone	Lumens	% Total	Zone
0-10	22,132.6	24.3%	90-100
10-20	36,948.0	40.6%	100-110
20-30	18,764.5	20.6%	110-120
30-40	6,056.8	6.7%	120-130
40-50	2,799.3	3.1%	130-140
50-60	1,788.9	2.0%	140-150
60-70	1,202.9	1.3%	150-160
70-80	810.9	0.9%	160-170
80-90	249.5	0.3%	170-180

Narrow Distribution, Clear Polycarbonate

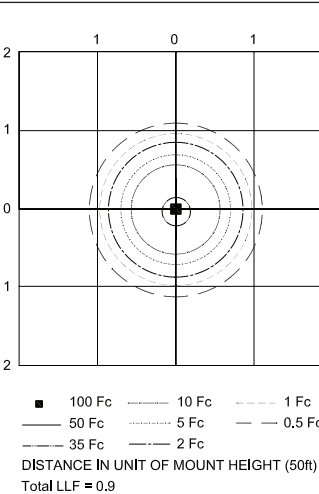
REPORT NUMBER: IHC9CPNBH

Luminaire Lumens 90,510

POLAR CANDELA DISTRIBUTION



ISOFOOT CANDLE PLOT



ZONAL LUMEN SUMMARY

Zone	Lumens	% Luminaire
0-30	63,265.6	69.9%
0-40	79,565.4	87.9%
0-60	87,465.3	96.6%
60-90	2,845.5	3.1%
70-100	1,394.3	1.5%
90-120	76.6	0.1%
0-90	90,310.9	99.8%
90-180	199.3	0.2%
0-180	90,510.2	100%

LUMENS PER ZONE

Zone	Lumens	% Total	Zone
0-10	9,800.9	10.8%	90-100
10-20	25,979.1	28.7%	100-110
20-30	27,485.6	30.4%	110-120
30-40	16,299.8	18.0%	120-130
40-50	5,692.9	6.3%	130-140
50-60	2,207.0	2.4%	140-150
60-70	1,499.2	1.7%	150-160
70-80	1,027.2	1.1%	160-170
80-90	319.1	0.4%	170-180

LED/HIGH BAY: NEC/CEC ORDINARY LOCATION

APPLETON™

IHC LED Luminaire

High Lumen Output High Bay and Floodlight for Ordinary Locations

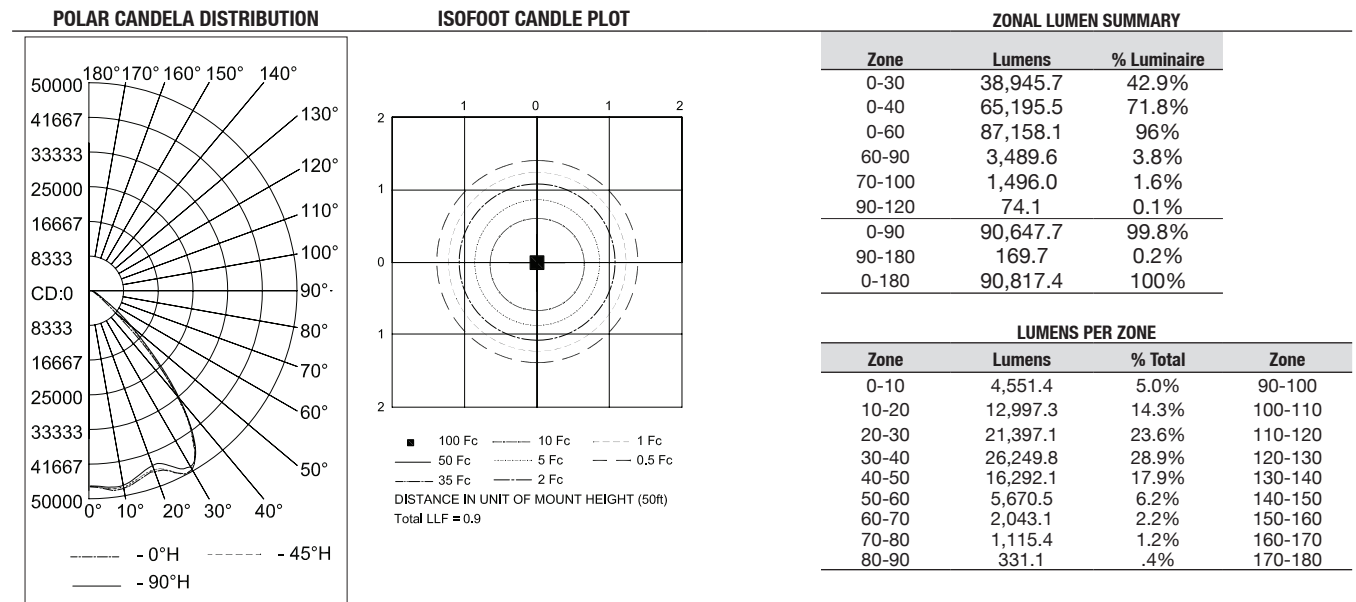
NEC/CEC:
 Marine Outside Type (Salt Water) for USA ONLY
 Wet Locations
 Type 3R, 4, 4X
 IP66

Photometric Data – DATA SHOWN IS ABSOLUTE

Medium Distribution, Clear Polycarbonate

REPORT NUMBER: IHC9CPMBH

Luminaire Lumens 90,817



Very Wide (Non-Optic) Distribution, Clear Polycarbonate

REPORT NUMBER: IHC9CPWBH

Luminaire Lumens 82,853

