

High efficiency. High output. High Bay RAIL.

Color: White

Weight: 15.6 lbs

**Project:**

**Type:**

**Prepared By:**

**Date:**

### Driver Info

Type	Constant Current
120V	1.12A
208V	0.70A
240V	0.60A
277V	0.51A
Input Watts	132.10W
Efficiency	N/A

### LED Info

Watts	150.00W
Color Temp	4000K (Neutral)
Color Accuracy	77 CRI
L70 Lifespan	100,000
Lumens	17,812
Efficacy	134.8 LPW

## Technical Specifications

### Listings

#### UL Listed:

Suitable for damp locations

#### DLC Listed:

This product is listed by Design Lights Consortium (DLC) as an ultra-efficient premium product that qualifies for the highest tier of rebates from DLC Member Utilities. DLC Product Code: P9KAZJ2D

### LED Characteristics

#### Lifespan:

100,000-hour LED lifespan based on IES LM-80 results and TM-21 calculations

#### Color Stability:

LED Color temperature is warranted to shift no more than 200K in CCT over a 5-year period

#### Color Uniformity:

RAB's range of CCT (Correlated Color Temperature) follows the guidelines of the American National Standard for Specifications for the Chromaticity of Solid State Lighting (SSL) Products, ANSI C78.377-2017.

### Construction

#### Ambient Temperature:

Suitable for use 12 hours a day, 6 days a week in 60°C (140°F). Suitable for 24/7 use in up to 55°C (131°F).

#### Housing:

Extruded aluminum

#### Lens:

High-transmittance polystyrene

#### Reflector:

Specular, high-reflectance aluminum with 95% reflectivity

#### Mounting:

V hooks (chain by others)

#### Finish:

Formulated for high durability and long-lasting color

#### Green Technology:

Mercury and UV free. RoHS-compliant components.

#### Recommended Mounting Height:

Up to 30 ft

#### Other

#### Replacement:

Replaces 175-320W MH

### Warranty:

RAB warrants that our LED products will be free from defects in materials and workmanship for a period of five (5) years from the date of delivery to the end user, including coverage of light output, color stability, driver performance and fixture finish. RAB's warranty is subject to all terms and conditions found at [rablighting.com/warranty](http://rablighting.com/warranty).

### Buy American Act Compliance:

RAB values USA manufacturing! Upon request, RAB may be able to manufacture this product to be compliant with the Buy American Act (BAA). Please contact customer service to request a quote for the product to be made BAA compliant.

### Sensor Specifications

#### Handheld Wireless Configuration Tool:

Adjust settings using handheld wireless configuration tool. Only available with 0-10V dimming driver options. [Handheld wireless configuration tool available here.](#)

### Electrical

#### Driver:

Constant Current, Class 2, 120-277V, 50/60Hz, 120V: 1.12A, 208V: 0.70A, 240V: 0.60A, 277V 0.51A

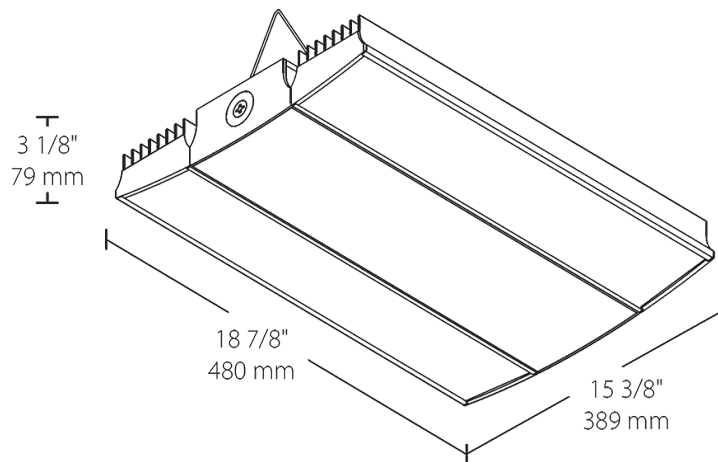
#### THD:

13.4% at 120V, 20.6% at 277V

#### Power Factor:

98.7% at 120V, 91.5% at 277V

## Dimensions



## Features

- Ideal for large spaces
- 100,000-hour lifespan - virtually maintenance free operation
- 0-10V driver for variable dimming down to 10%
- Low-glare design with semi-diffuse lens

## Ordering Matrix

Family	Wattage	Color Temp	Finish	Driver Options	Control Options	Other Options
<b>RAIL</b>	<b>150</b>	<b>N</b>	<b>W</b>	<b>/D10</b>		
	<b>95 = 95W</b> <b>150 = 150W</b> <b>185 = 185W</b> <b>225 = 225W</b> <b>400 = 400W</b>	<b>Blank = 5000K (Cool)</b> <b>N = 4000K (Neutral)</b> <b>YN = 3500K (Warm Neutral)</b>	<b>W = White</b>	<b>/D10 = 120-277V, 0-10V Dim</b> <b>/480/D10 = 480V, 0-10V Dim</b>	<b>Blank = No Option</b> <b>/BL = Bi-Level Control</b> <b>/WS2 = Multi-Level Motion Sensor 20 ft.<sup>1</sup></b> <b>/WS4 = Multi-Level Motion Sensor 40 ft.<sup>1</sup></b> <b>/LOS = LOSBAY 800 Sensor</b> <b>/LC = Lightcloud® Controller</b> <b>/LCS = Lightcloud® Sensor</b> <b>/E2 = Emergency Battery Pack</b> <b>/LC/E2 = Lightcloud® Controller w/ Emergency Battery Pack<sup>2</sup></b>	<b>Blank = Standard</b> <b>USA = BAA Compliant</b>

<sup>1</sup> WS2 with 20' lens only available for 95 and 150W models; WS4 with 40' lens only available for 185 and 225W models. Both sensors only available with /D10 dimming drivers, but not with 480V driver.

<sup>2</sup> Not available in RAIL 400W