

Undercabinet LED designed to provide soft, uniform lighting on work surfaces.

Color: Brown

Weight: 1.5 lbs

Project:

Type:

Prepared By:

Date:

### Driver Info

Type	Constant Current
120V	0.10A
208V	N/A
240V	N/A
277V	N/A
Input Watts	4.8-9W

### LED Info

Watts	9W
Color Temp	2700K/3000K/3500K/4000K/5000K
Color Accuracy	94-97 CRI
L70 Lifespan	50,000 Hours
Lumens	351-796 lm
Efficacy	70.2-89.5 lm/W

## Technical Specifications

### Field Adjustability

#### Field Adjustable:

Lumen output (selectable by 100% and 50%)  
Color temperature (selectable by 2700K, 3000K, 3500K, 4000K and 5000K)

### Compliance

#### UL Listed:

Dry Locations Only

### IESNA LM-79 & LM-80 Testing:

RAB LED luminaires and LED components have been tested by an independent laboratory in accordance with IESNA LM-79 and LM-80.

### Energy Star Approved:

This product is ENERGY STAR® Version 2.2 Certified

### Energy Star ID:

2421019

### Trade Agreements Act Compliant:

This product is a product of Cambodia and a "designated country" end product that complies with the Trade Agreements Act

### LED Characteristics

#### LEDs:

Long-life, high-efficacy, surface-mount LEDs

### Color Stability:

LED color temperature is warrantied to shift no more than 200K in color temperature over a 5-year period

### Color Uniformity:

RAB's range of Correlated Color Temperature follows the guidelines of the American National Standard for Specifications for the Chromaticity of Solid State Lighting (SSL) Products, ANSI C78.377-2017.

### Performance

#### Lifespan:

50,000-Hour LED lifespan based on IES LM-80 results and TM-21 calculations

### Construction

#### Maximum Ambient Temperature:

Suitable for use in up to 40°C (104°F)

#### Housing:

Die-formed steel with injection-molded endcaps

#### Lens:

Polycarbonate lens

#### Reflector/Tray:

Aluminum

#### Mounting:

Undercabinet surface

### Green Technology:

Mercury and UV free. RoHS-compliant components.

### Finish:

Formulated for high durability and long-lasting color

### Other

#### Warranty:

RAB warrants that our LED products with special corrosion resistant powder coat finish will be free from defects in materials and workmanship for a period of five (5) years from the date of delivery to the end user, including coverage of light output, color stability, driver performance and fixture finish in corrosive environments up to C5-M classification. RAB's warranty is subject to all terms and conditions found at [rablighting.com/warranty](http://rablighting.com/warranty).

### Buy American Act Compliance:

RAB values USA manufacturing! Upon request, RAB may be able to manufacture this product to be compliant with the Buy American Act (BAA). Please contact customer service to request a quote for the product to be made BAA compliant.

### Electrical

#### Driver:

Constant Current, Class 2, 60 Hz, 120V: 0.10A

## Technical Specifications (continued)

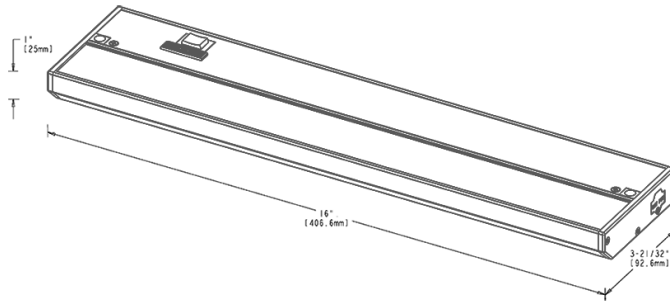
**THD:**

5.64% at 120V

**Power Factor:**

99.7% at 120V

## Dimensions



## Features

- 5 discrete color temperatures
- Simple to connect multiple fixtures
- Available in four sizes (8", 16", 24" and 32") and two color finishes (white & brown)
- Compatible with common ELV & TRIAC dimmers

## Ordering Matrix

Family	Length (Wattages)	Color Temp	Finish	Voltage
KNOOKFA	16			
	8 = 8" (4/2W) 16 = 16" (9/5W) 24 = 24" (13/7W) 32 = 32" (16/8W)	Blank = 2700K/3000K/3500K/4000K/5000K	Blank = Brown W = White	Blank = 120V