

BALDOR® • *RELIANCE*

Product Information Packet

CEM4107T

25HP,3525RPM,3PH,60HZ,284TSC,0946M,TEFC

Part Detail							
Revision:	D	Status:	PRD/A	Change #:		Proprietary:	No
Type:	AC	Prod. Type:	0946M	Elec. Spec:	09WGY147	CD Diagram:	CD0005
Enclosure:	TEFC	Mfg Plant:		Mech. Spec:	09F637	Layout:	09LYF637
Frame:	284TSC	Mounting:	F1	Poles:	02	Created Date:	10-21-2015
Base:	RG	Rotation:	R	Insulation:	F	Eff. Date:	01-26-2017
Leads:	9#10					Replaced By:	
Literature:		Elec. Diagram:					

Nameplate NP3443LUA												
CAT.NO.	CEM4107T			P/N				ENCLOSURE	TEFC			
SPEC.	09F637Y147G1		CC	010A		FRAME	284TSC		S/N			
HP	25			CLASS	F		HZ	60				
RPM	3525			PH	3		DES	A				
VOLT	230/460			KVA-CODE	J		ODE BRG	6208		DE BRG	6311	
AMP	58/29			USABLE AT 208V	62		NEMA-NOM-EFF	91.7		GREASE	POLYREX EM	
RATING	40C AMB-CONT			PF	88		SER.F.	1.15				
USABLE AT	50Hz 25HP 190/380V 68/34A					SF1.0						
HTR-VOLTS			HTR-AMPS			MAX. SPACE HEATER TEMP.						

AC Induction Motor Performance Data

Record # 33832 - Typical performance - not guaranteed values

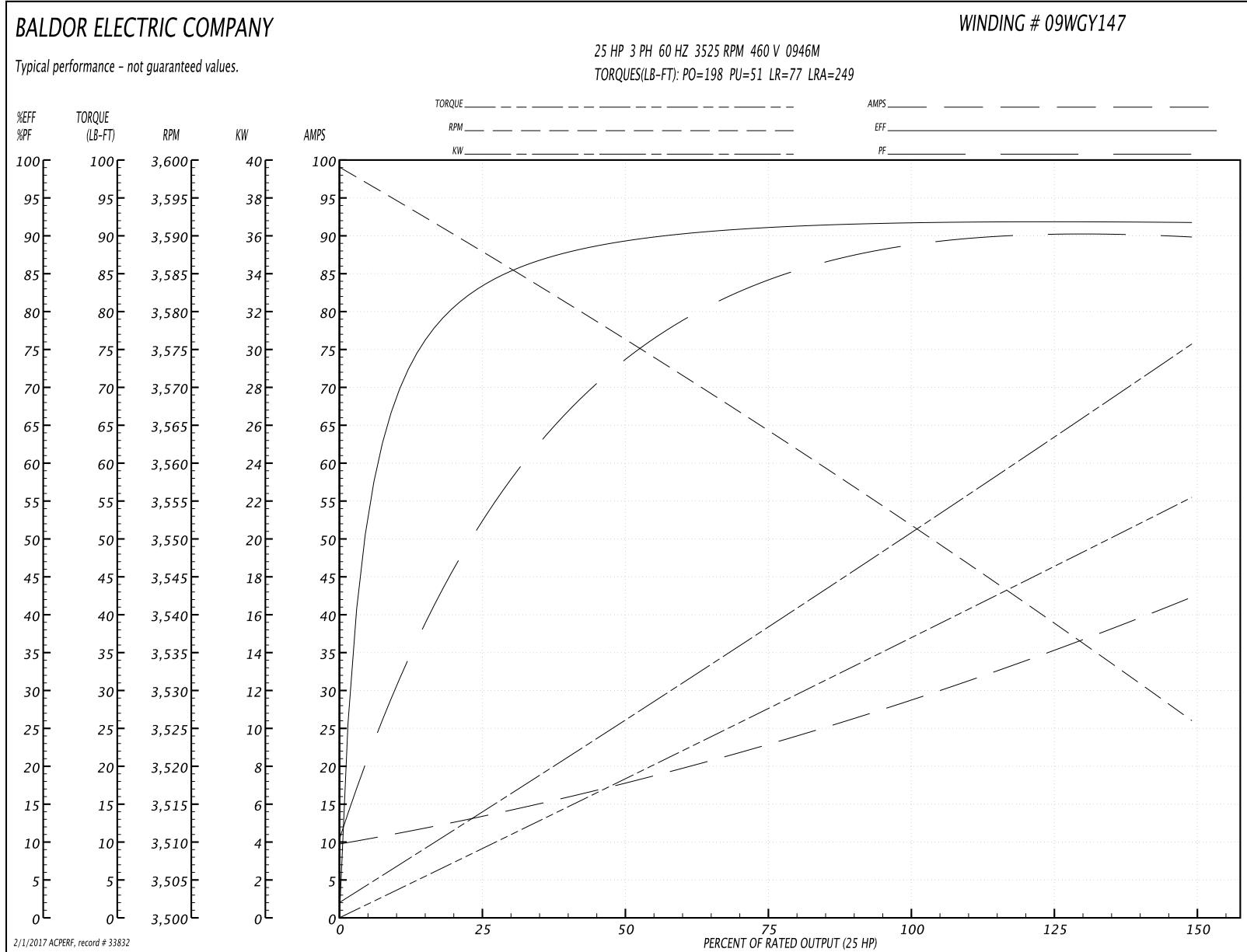
Winding: 09WGY147-R004	Type: 0946M	Enclosure: TEFC
-------------------------------	--------------------	------------------------

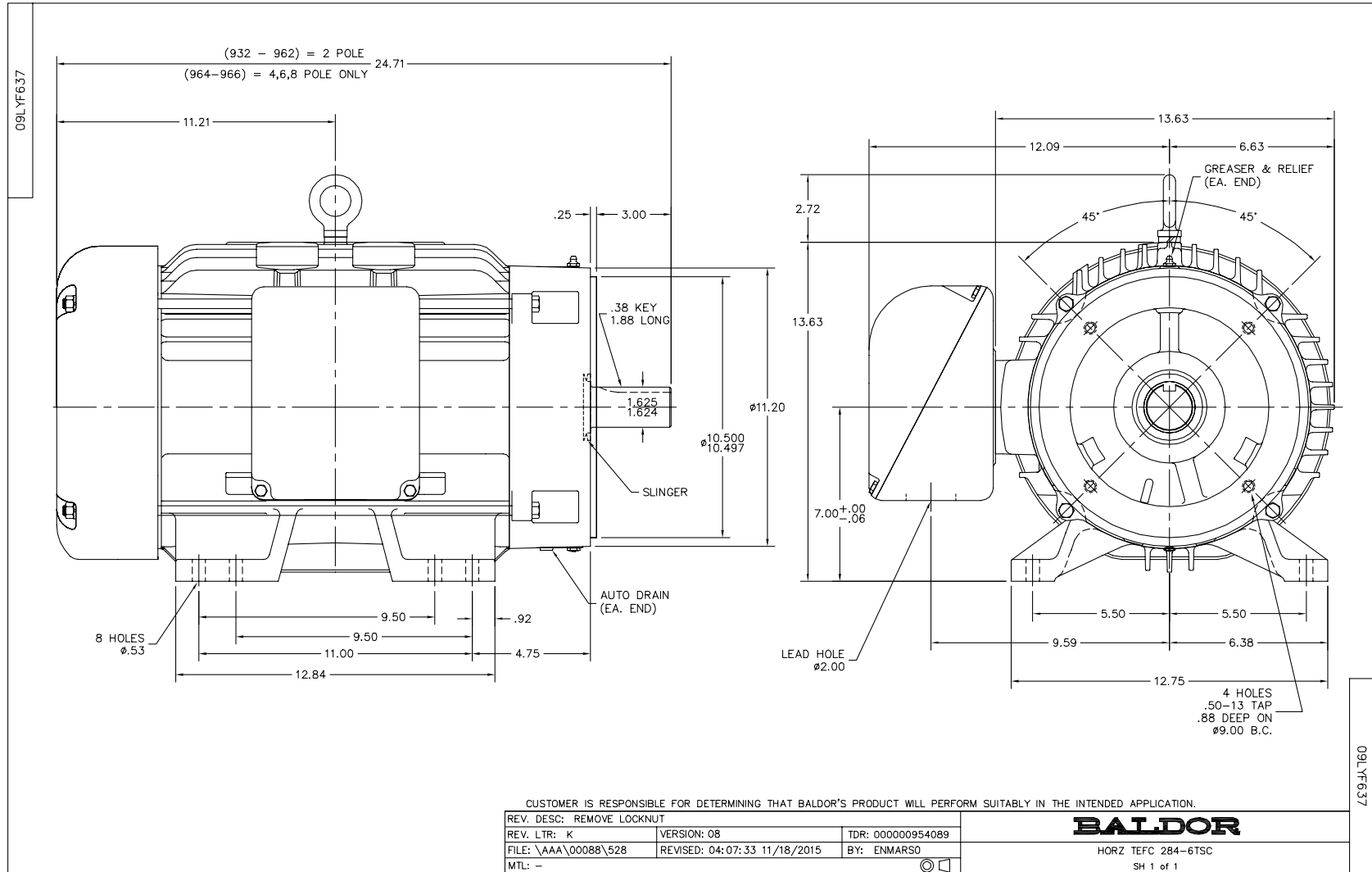
Nameplate Data				460 V, 60 Hz: High Voltage Connection	
Rated Output (HP)	25			Full Load Torque	37 LB-FT
Volts	230/460			Start Configuration	direct on line
Full Load Amps	58/29			Breakdown Torque	198 LB-FT
R.P.M.	3525			Pull-up Torque	51 LB-FT
Hz	60	Phase	3	Locked-rotor Torque	77 LB-FT
NEMA Design Code	B	KVA Code	J	Starting Current	249 A
Service Factor (S.F.)	1.15			No-load Current	9.8 A
NEMA Nom. Eff.	91.7	Power Factor	88	Line-line Res. @ 25°C	0.279 Ω
Rating - Duty	40C AMB-CONT			Temp. Rise @ Rated Load	82°C
S.F. Amps				Temp. Rise @ S.F. Load	92°C
				Locked-rotor Power Factor	30
				Rotor inertia	1.17 LB-FT ²

Load Characteristics 460 V, 60 Hz, 25 HP

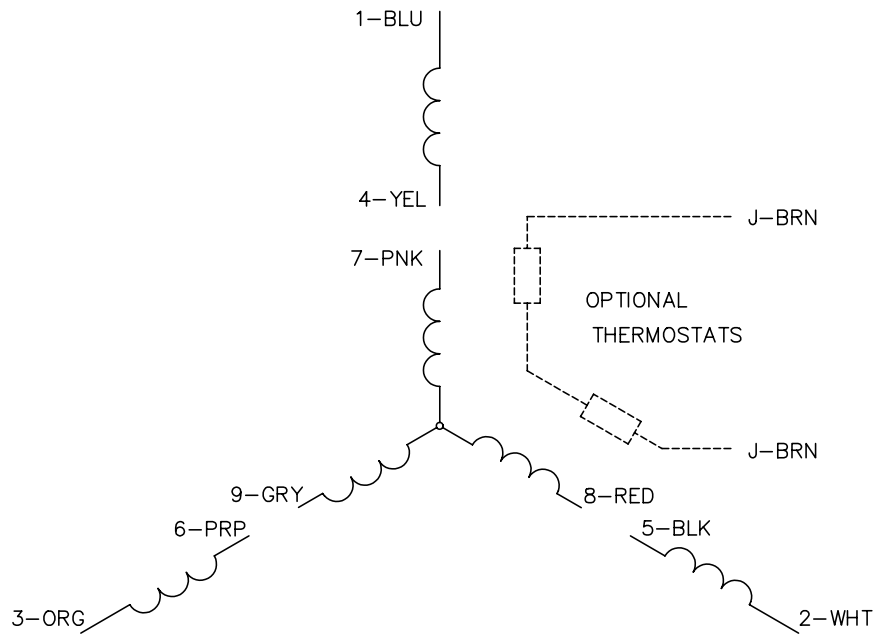
% of Rated Load	25	50	75	100	125	150	S.F.
Power Factor	53	75	83	90	89	90	89
Efficiency	83	89.2	91.2	91.8	91.9	91.7	91.9
Speed	3588	3576	3564	3552	3539	3526	3544
Line amperes	13.4	17.7	23.2	28.5	35.5	42.2	32.7

Performance Graph at 460V, 60Hz, 25.0HP Typical performance - Not guaranteed values

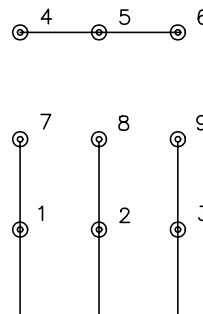




CD0005

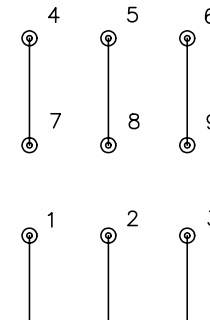


LOW VOLTAGE
(2Y)



LINE

HIGH VOLTAGE
(1Y)



LINE

NOTES:

1. INTERCHANGE ANY TWO LINE LEADS TO REVERSE ROTATION.
2. OPTIONAL THERMOSTATS ARE PROVIDED WHEN SPECIFIED.
3. ACTUAL NUMBER OF INTERNAL PARALLEL CIRCUITS MAY BE A MULTIPLE OF THOSE SHOWN ABOVE.
4. LEAD COLORS ARE OPTIONAL. LEADS MUST ALWAYS BE NUMBERED AS SHOWN.

REV. DESC: REVISE TO SHOW OPTIONAL COLORS			
REV. LTR: E	BY: JLP	REVISED: 01/19/99 10:15	TDR: 0171435
90000		FILE: AAA00005140	MDL: -
		MTL: -	

BALDOR ELECTRIC Co.

3PH, DV, 9 LEADS

CD0005