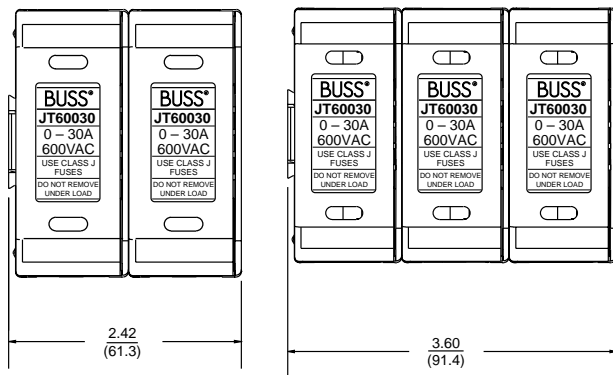


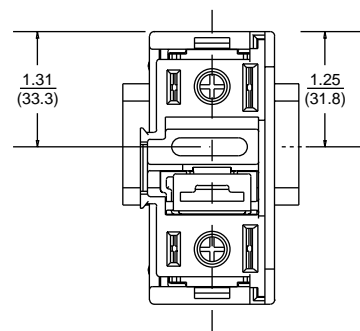
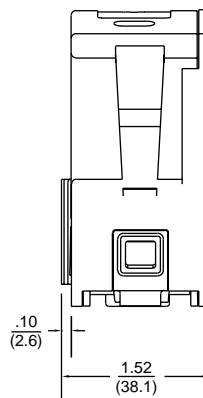
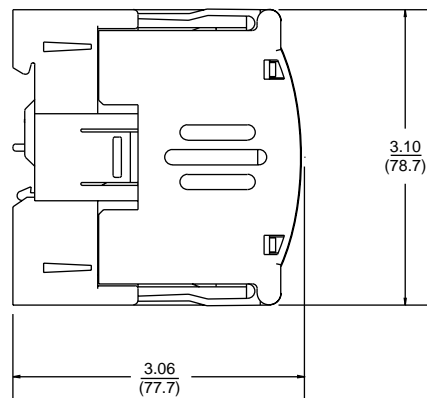
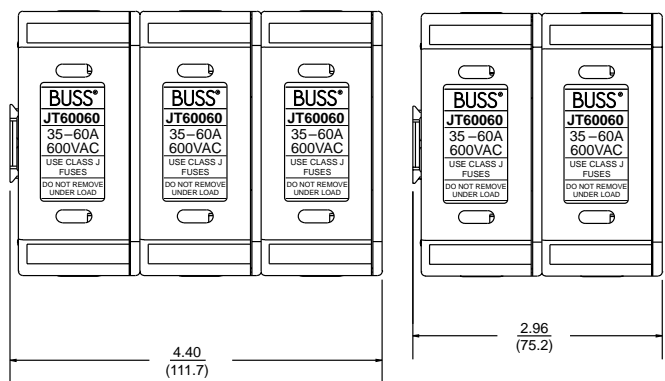
Class J (Finger-Safe) Fuseholders

JT(N)600 Series fuseblocks can be ganged together to provide two and three pole block configurations.

JT60030 - JTN60030



JT60060 - JTN60060



JT60060
JTN60060

Dim. = $\frac{\text{in.}}{(\text{mm.})}$

The only controlled copy of this Data Sheet is the electronic read-only version located on the Bussmann Network Drive. All other copies of this Data Sheet are by definition uncontrolled. This bulletin is intended to clearly present comprehensive product data and provide technical information that will help the end user with design applications. Bussmann reserves the right, without notice, to change design or construction of any products and to discontinue or limit distribution of any products. Bussmann also reserves the right to change or update, without notice, any technical information contained in this bulletin. Once a product has been selected, it should be tested by the user in all possible applications.