

# Options & Accessories

## Tribay Matrix

INDUSTRIAL

### OPTIONS

Factory installed — order with fixture by adding suffix  
Plugs are Twist-Lok® type as manufactured by Hubbell Wiring Devices

Suffix	Description	Tribay										
		HG16	HG22	WA22	WW22	WD22	WA25	CHEU	CHOU	CHLM	SW	RO
-AN	Anodized housing	•	•	•	•	•	•	•	•	•	•	•
-CFB	Charcoal filter breather							•		•	•	
-CXHLP(X)	Cord, hook/loop & plug w/ slick-On® hanger	•	•	•	•	•	•	•	•	•	•	•
-CXHL(X)	Cord & hook/Loop w/slick-on hanger	•	•	•	•	•	•	•	•	•	•	•
-DFP	Dead front disconnect	•	•	•	•	•	•	•	•	•	•	
-F	Fusing	•	•	•	•	•	•	•	•	•	•	•
-GR	Gray lektrocote® finish	•	•	•	•	•	•	•	•	•	•	•
-HA	High ambient	•	•					•	•			
-LL	Shipped less lamp	•	•									
-LRI	Lower luminaire retainer	std	std	•	•	•	•	•	•	•	•	•
-NMM	No mounting method	std	std	•	•	•	•	•	•	•	•	•
-P	High strength polycarbonate refractor									•	•	
-RO	Remote offset											•
-QSS	Quartz standby system (lamp included)	•	•	•	•	•	•	•	•	•	•	•
-QST	Quartz standby with time delay (lamp included)	•	•	•	•	•	•	•	•	•	•	•
-TRI	Top luminaire retainer	•	•	•	•	•	•	•	•	•	•	•

### ACCESSORIES

Field installed — order as a separate line.

Suffix	Description	Tribay										
		HG16	HG22	WA22	WW22	WD22	WA25	CHEU	CHOU	CHLM	SW	RO
BLA-C4HL	4' cord hook/loop	•	•	•	•	•	•	•	•	•	•	•
CH-LLR	Lower luminaire retainer - 2' cable	std	std	•	•	•	•	•	•	•	•	•
CH-TLRX	Top luminaire retainer	•	•	•	•	•	•	•	•	•	•	•
CHF	Single fusing	•	•	•	•	•	•	•	•	•	•	•
CHFF	Double fusing (not for Canada)	•	•	•	•	•	•	•	•	•	•	•
CH-B	Wiring box - no disconnect	•	•	•	•	•	•	•	•	•	•	•
CH-Q	Wiring box - with disconnect (Quick Zone)	•	•	•	•	•	•	•	•	•	•	•
CH-ENC	Tempered glass lens door							std	•			
FWG	Full wire guard for acrylic reflectors			•	•	•	•					
HG-FWG	Full wire guard for glass reflectors	•	•									
HG-ENC-XX	Tempered glass enclosure for HG16 & HG22	•	•									
HOOK/LOOP	Hook 3/4" NPS male	•	•	•	•	•	•	•	•	•	•	•
H3/4AL3/4	Swivel aligner - with box	•	•	•	•	•	•	•	•	•	•	•
PHE	Die-cast aluminum power hook	•	•	•	•	•	•	•	•	•	•	•
PHS	Specification grade power hook - with 30" cord	•	•	•	•	•	•	•	•	•	•	•
SY3	Rugged steel power hook	•	•	•	•	•	•	•	•	•	•	•
WA2-ENC	Flat 1/8" acrylic lens			•	•	•						
WA22-CDL	Conical drop prismatic lens			•	•	•						
WA22-DLR	Drop lens refractor			•	•	•						
WA-T	Perforated metal top enclosure			•	•	•	•					
WA25-DLR**	Drop lens bottom enclosure (for WA25 reflectors)						•					
WA25-ENC**	Flat 1/8" acrylic bottom enclosure for 25" reflectors						•					
WG	Wire guard	WG16	WG23A	WG23A	WG23A	WG23A	WG25*	WG19	WG19	WG29	WG-SW	

\* WG25 wire guard can not be used with any WA25 bottom enclosure  
\*\* ENC bottom enclosure not compatible with 1000W WA25



# Options & Accessories

## Superbay Matrix

### OPTIONS

Factory installed — order with fixture by adding suffix.  
Plugs are Twist-Lok® type as manufactured by Hubbell Wiring Devices

Suffix	Description	Superbay														
		HG16	HG22	PA2	WA22	WW22	WA25	SW	EG	LB1	LM	AL	BI	SU	SD	RO
-AN	Anodized housing	•	•	•	•	•	•	•	•	•	•	•	•	•	•	•
-CFB	Charcoal filter breather							•	•	•						
-CXHL	Cord, hook/loop w/ Quick-On® hanger			•	•	•	•	•	•	•	•	•	•	•	•	•
-CXHLP(X)SO	Cord, hook/loop & Plug w/Slick-On® hanger	•	•	•	•	•	•	•	•	•	•	•	•	•	•	•
-CXHLSO	Cord & hook/loop w/Slick-On® hanger	•	•	•	•	•	•	•	•	•	•	•	•	•	•	•
-DFP	Dead front disconnect	•	•	•	•	•	•	•	•	•	•	•	•	•	•	•
-GR	Gray Lektrocote® finish	•	•	•	•	•	•	•	•	•	•	•	•	•	•	•
-LRI	Lower luminaire retainer	std	std	•	•	•	•	•	•	•	•	•	•	•	•	•
-NMM	No mounting method	std	std	•	•	•	•	•	•	•	•	•	•	•	•	•
-P	High strength polycarbonate refractor							•		•						
-QSS	Quartz standby system (lamp included)	•	•	•	•	•	•	•	•	•	•	•	•	•	•	•
-QST	Quartz standby with time delay (lamp included)	•	•	•	•	•	•	•	•	•	•	•	•	•	•	•
-SO	Slick-On® thru wire outlet box	std	std	•	•	•	•	•	•	•	•	•	•	•	•	•
-TRI	Top luminaire retainer	•	•	•	•	•	•	•	•	•	•	•	•	•	•	•

### ACCESSORIES

Field installed — order as a separate line.

Suffix	Description	Superbay														
		HG16	HG22	PA2	WA22	WW22	WA25	SW	EG	LB1	LM	AL	BI	SU	SD	RO
BLA-C4HL	4' cord hook/loop	•	•	•	•	•	•	•	•	•	•	•	•	•	•	•
B-LLR	Lower luminaire retainer - 2' cable	std	std	•	•	•	•	•	•	•	•	•	•	•	•	•
B-TLR	Top luminaire retainer	•	•	•	•	•	•	•	•	•	•	•	•	•	•	•
BL-FLUSH-MT-KIT	Adapter bracket for BL-WA22 or BL-WA25				•	•	•									
BL-LR	Tempered glass lens (for BI and SU, SD, AL 175 & 250w)										•	•	•	•		
BL-PK-ENC	Flat 1/8" acrylic lens (for 175 & 250w MH)			•												
BL-QO	Quick-On® 3/4" pendant mount			•	•	•	•	•	•	•	•	•	•	•	•	•
BL-SOF	Slick-On® single fusing	•	•	•	•	•	•	•	•	•	•	•	•	•	•	•
BL-SOFF	Slick-On® double fusing (not for Canada)	•	•	•	•	•	•	•	•	•	•	•	•	•	•	•
FWG	Full wire guard for acrylic reflectors			•	•	•										
HG-FWG	Full wire guard for glass reflectors	•	•													
HG-ENC	Tempered glass enclosure for HG16 & HG22	•	•													
HOOK/LOOP	Hook 3/4" NPS male	•	•	•	•	•	•	•	•	•	•	•	•	•	•	•
H3/4AL3/4	Swivel aligner - with box	•	•	•	•	•	•	•	•	•	•	•	•	•	•	•
PHE	Die-cast aluminum power hook	•	•	•	•	•	•	•	•	•	•	•	•	•	•	•
PHS	Specification grade power hook - with 30" cord	•	•	•	•	•	•	•	•	•	•	•	•	•	•	•
SY3	Rugged steel power hook	•	•	•	•	•	•	•	•	•	•	•	•	•	•	•
WA2-ENC	Flat 1/8" acrylic lens			•	•											
WA22-CDL	Conical drop prismatic lens			•	•											
WA22-DLR	Drop lens bottom enclosure			•	•											
WA25-DLR	Drop lens bottom enclosure (for WA25 reflectors)						•									
WA25-ENC	Flat 1/8" acrylic bottom enclosure for 25" reflectors						•									
WG	Wire guard	WG16	WG23A	WG16	WG23A	WG23A	WG25*	SW-WG	WG19	WG23A	WG29	WG19	WG14	WG19	WG19	

\* WG25 wire guard can not be used with any WA25 bottom enclosure



Industrial Lighting

# Options & Accessories

## Options

Factory installed — order with fixture by adding suffix

Suffix	Description	Tribay	Superbay	Fig. #
-AN	Anodized housing/reflector	•		
-CFB	Charcoal filter breather (for enclosed reflectors only)	•	•	fig. 1
-C4HL	4' cord, hook/loop - SO cord wired through hook	•	•	fig. 3
-C6HL	6' cord, hook/loop - SO cord wired through hook	•	•	fig. 3
-C8HL	8' cord, hook/loop - SO cord wired through hook	•	•	fig. 3
-C10HL	10' cord, hook/loop - SO cord wired through hook	•	•	fig. 3
-C12HL	12' cord, hook/loop - SO cord wired through hook	•	•	fig. 3
-EM	Emergency quartz lamp socket	•	•	fig. 4
-EX	Exclusionary mogul socket	•	•	fig. 2
-F1	Fusing 120V	•		
-F2	Fusing 208V (not for Canada)	•		
-F3	Fusing 240V (not for Canada)	•		
-F4	Fusing 277V	•		
-F5	Fusing 480V (not for Canada)	•		
-FF	Fusing 347V	•		
-GR	Gray Lektrocote® finish on housing; replace -WH in catalog number		•	
-LL	Shipped less lamp (250, 350, 400w MH Electro-Reg® and 600 watt HPS only)	•		
-JP	Job Pack - master carton packaging of ballast housing to reduce corrugated waste disposal; for shipment to jobsite only		•	
-LRI <sup>1</sup>	Lower luminaire retainer (installed)	•	•	fig. 5, 6
-NMM	No mounting method - neither Slick-On® nor Quick-On® provided w/ luminaire; mounting method must be ordered as an accessory; option used for applications requiring mounting method supplied in advance of luminaire		•	
-P	High strength polycarbonate refractor		•	
-PC	Polycarbonate refractor (LM only)	•		
-QSS	Quartz standby (lamp included)	•	•	
-QST	Quartz standby with time delay (lamp included)	•	•	
-SO	Slick-On® thru wire outlet box for 3/4" pendant or 1/2" or 3/4" side entry conduit			
<b>SLICK-ON® THRU WIRE OUTLET BOX, SINGLE FUSE (INCL.)</b>				
for 3/4" pendant or side entry conduit				
	X3=	120V	277V	347V
-SOF (X3)		1	4	F
<b>SLICK-ON® THRU WIRE OUTLET BOX, DOUBLE FUSE (INCL.)</b>				
for 3/4" pendant or side entry conduit (not for Canada)				
	X4=	208V	240V	480V
-SOFF (X4)		2	3	5
-TRI(X)	Top Luminaire Retainer - chain secures ballast housing to structure when additional safety precautions are required. Shipped in housing carton. Specify length (X), recommended maximum slack is 3"		•	•

1 Luminaire retainers/safety cables reduce risk of equipment falling

NOTE: For specific applications, bottom enclosures may be required. For more information, please see specific lamp manufacturers' data and the NEMA white paper "Best Practices for Metal Halide Lighting Systems" posted on the NEMA web site ([www.nema.org](http://www.nema.org)).

WARNING: Improper selection, installation, operation, servicing, removal, and disposal of lighting products may create serious hazards including fires, explosions, shock, burns, cuts, impaired vision, falling objects, and environmental contamination. Reduce risks by using the guidance of licensed professionals throughout the product life cycle, and following individual product, component, and accessory safety instructions and labels.

We offer this in the interest of safety for our customers, who may not be aware of the potentially high risk involved in the misuse of these products.

**See pages 443-445 for detailed drawings.**

# Options & Accessories

## Accessories

(order separately)

Suffix	Description	Tribay	Superbay	Fig. #
<b>B-LLR<sup>1</sup></b>	Lower luminaire retainer - 2' cable secures reflector to ballast housing		•	
<b>B-TLR(6)<sup>1</sup></b>	6' top luminaire retainer - chain secures ballast housing to structure when additional safety precautions are required		•	
<b>B-TLR(10)<sup>1</sup></b>	10' top luminaire retainer - chain secures ballast housing to structure when additional safety precautions are required		•	
<b>B-TLR(12)<sup>1</sup></b>	12' top luminaire retainer - chain secures ballast housing to structure when additional safety precautions are required		•	
<b>B-TLR(16)<sup>1</sup></b>	16' top luminaire retainer - chain secures ballast housing to structure when additional safety precautions are required		•	
<b>BL-FLUSH-MT-KIT</b>	Bracket for mounting BL-WA22/WA22 or BL-WA25/WA25 reflector flush to the bottom of the Superbay ballast housing		•	
<b>BL-LR-14<sup>2</sup></b>	Tempered glass lens - thermal shock & impact resistant; gasketed on corrosion-resistant steel lens ring (not dust tight) required for 175, 250, 320 & 350w PSMH luminaires; for BI reflector only	•		fig. 16
<b>BL-LR-19<sup>2</sup></b>	Tempered glass lens - thermal shock & impact resistant; gasketed on corrosion-resistant steel lens ring (not dust tight) required for 175, 250, 320 & 350w PSMH luminaires; for SU/SD/AL reflectors only	•		fig. 16
<b>BL-PK-ENC<sup>2</sup></b>	Flat 1/8" acrylic lens for PA2 16" reflector; required with 175, 250, 320 & 350w PSMH		•	fig. 17
<b>BL-QO</b>	Quick-On 3/4" pendant mount		•	
<b>BL-SO</b>	Slick-On thru wire outlet box for 3/4" pendant or 3/4, 1/2 side entry conduit		•	
<b>BL-SOF</b>	Slick-On single fusing (fuse not incl.) thru wire outlet box for 3/4" pendant or 3/4, 1/2 side entry conduit mount with single fuse holder		•	
<b>BL-SOFF</b>	Slick-On double fusing (fuses not incl.) thru wire outlet box for 3/4" pendant or 3/4, 1/2 side entry conduit mount with double fuse holder (not for Canada)		•	
<b>CH-B</b>	Wiring box with no electrical disconnect	•		fig. 8
<b>CH-Q</b>	Wiring box with electrical disconnect (Quick-Zone®)	•		fig. 9
<b>CH-ENC-19</b>	Tempered glass lens door for open 19"	•		fig. 17
<b>CH-ENC-23</b>	Tempered glass lens door for open 23"	•		fig. 17
<b>CH-F</b>	Single fuse kit - 120, 277, 347V (fuses not included)	•		fig. 7
<b>CH-FF</b>	Double fuse kit - 208, 240, 480V (fuses not included) (not for Canada)	•		fig. 7
<b>CH-LLR</b>	Lower luminaire retainer (for field installation)	•		fig. 11
<b>CH-TLR6</b>	6' top luminaire retainer (for field installation)	•		fig. 12
<b>CH-TLR10</b>	10' top luminaire retainer (for field installation)	•		fig. 12
<b>CH-TLR12</b>	12' top luminaire retainer (for field installation)	•		fig. 12
<b>CH-TLR16</b>	16' top luminaire retainer (for field installation)	•		fig. 12
<b>FWG</b>	Full wire guard for acrylic reflectors	•	•	fig. 19
<b>HG-FWG</b>	Full wire guard for glass reflectors	•	•	fig. 17
<b>HGENC16</b>	Flat glass bottom enclosure for the HGE16 & HGO16	•	•	fig. 17
<b>HGENC22</b>	Flat glass bottom enclosure for the HGE22 & HGO22	•	•	fig. 17
<b>SW-WG</b>	Superwatt® full wire guard with safety chain	•		fig. 15
<b>WA2-ENC</b>	22" flat acrylic lens for WA acrylic reflector - 1/8" acrylic lens (40°C maximum operating temperature with lens in place in reflector in Superbay)	•	•	fig. 17
<b>WA22-CDL<sup>2</sup></b>	22" Conical acrylic lens - conical drop lens for WA acrylic reflector (40°C maximum operating temperature with lens in place in reflector)	•	•	fig. 13 fig. 18
<b>WA22-DLR<sup>2</sup></b>	Dropped lowbay refractor lens - for 22" WA reflector (40°C maximum operating temperature with lens in place in reflector)	•	•	fig. 18
<b>WA25-DLR<sup>2</sup></b>	Dropped lens refractor - for 25" WA refractor (40°C maximum operating temperature with lens in place in reflector)	•	•	fig. 18
<b>WA25-ENC</b>	Flat acrylic bottom enclosure for 25" prismatic acrylic refractor	•		fig. 17
<b>WA-T</b>	Perforated metal top enclosure for WA22 and WA25 refractor	•		fig. 10
<b>WG-14</b>	14" wireguard - corrosion resistant, welded steel w/ center lamp access; can be used in combination with BL-LR-14		•	fig. 14
<b>WG-16</b>	Wire guard for 16" highbay reflectors - corrosion resistant, welded steel with center lamp access	•	•	fig. 14
<b>WG-19</b>	Wire guard for 19" highbay reflectors - corrosion resistant, welded steel with center lamp access	•	•	fig. 14
<b>WG-23A</b>	Wire guard for 23" highbay and 22" prismatic reflectors - corrosion resistant, welded steel w/ctr lamp acc.	•	•	fig. 14
<b>WG-25</b>	Wire guard for 25" highbay reflectors - corrosion resistant, welded steel with center lamp access	•	•	fig. 14
<b>WG-29</b>	Wire guard for 29" highbay reflectors - corrosion resistant, welded steel with center lamp access	•	•	fig. 14

1 Luminaire retainers/safety cables reduce risk of equipment falling

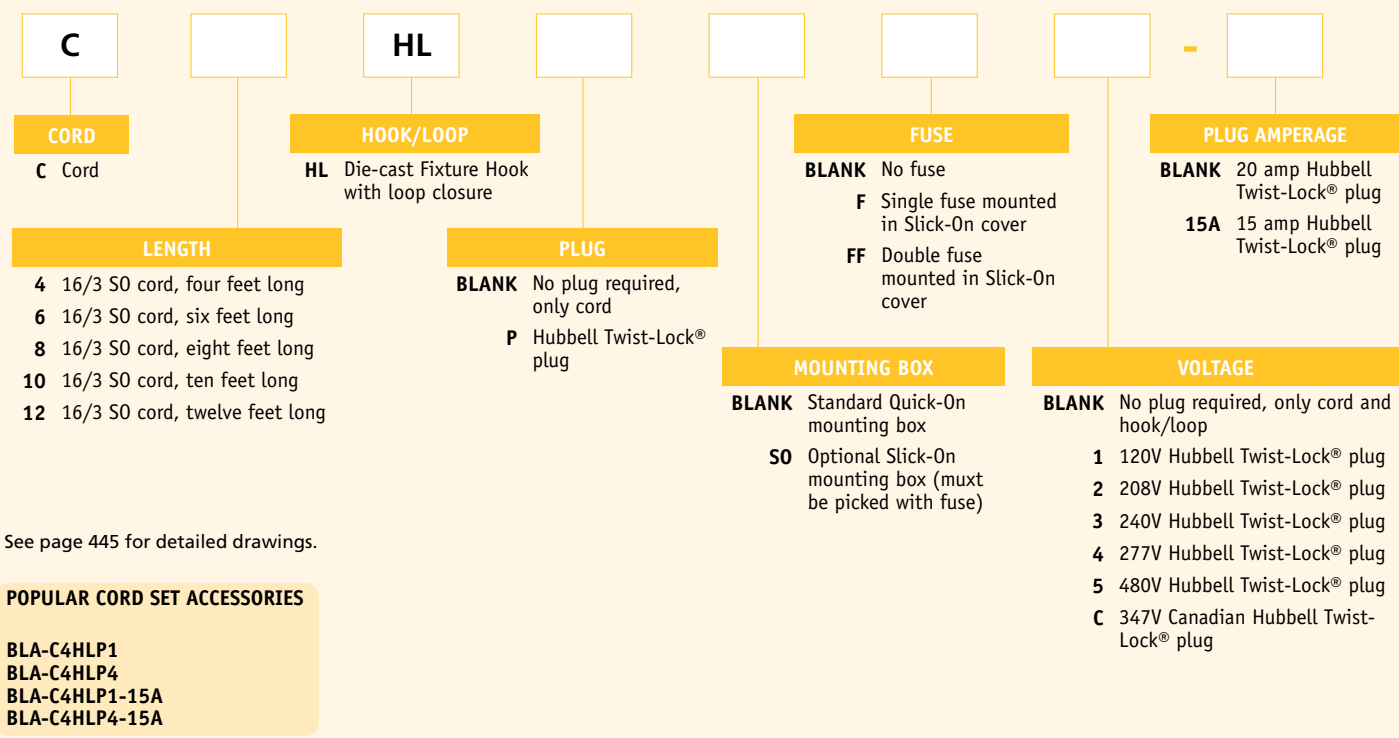
2 Bottom enclosures are required unless lamps designated as "suitable for open use" are used

**See pages 443-445 for detailed drawings.**

# Options & Accessories

## Superbay Fixture Cord Logic

INDUSTRIAL



### NEMA CONFIGURATIONS

Voltage	Description	Plugs <sup>1</sup>		Receptacles NEMA #
		NEMA #	Plug #	
<b>20 AMP PLUGS &amp; RECEPTACLES</b>				
120	2 pole, 3 wire grounding	<b>L5-20P</b>	2311	<b>L5-20R</b>
208	2 pole, 3 wire grounding	<b>L6-20P</b>	2321	<b>L6-20R</b>
240	2 pole, 3 wire grounding	<b>L6-20P</b>	2321	<b>L6-20R</b>
277	2 pole, 3 wire grounding	<b>L7-20P</b>	2331	<b>L7-20R</b>
480	2 pole, 3 wire grounding	<b>L8-20P</b>	2341	<b>L8-20R</b>
<b>15 AMP PLUGS &amp; RECEPTACLES</b>				
120	2 pole, 3 wire grounding	<b>L5-15P</b>	4720C	<b>L5-15R</b>
208	2 pole, 3 wire grounding	<b>L6-15P</b>	4570C	<b>L6-15R</b>
240	2 pole, 3 wire grounding	<b>L6-15P</b>	4570C	<b>L6-15R</b>
277	2 pole, 3 wire grounding	<b>L7-15P</b>	4770C	<b>L7-15R</b>

<sup>1</sup> CSA certified

NOTE: All plugs are manufactured by Hubbell Wiring Device Division

### DEAD FRONT PLUG OFFERINGS

DFP <sup>1</sup>	SO w/ Slick-On® Hanger	F Single Fuse	F <sup>2</sup> Double Fuse	X Voltage	Catalog Number
DFP				1 (120V)	<b>DFP1</b>
DFP				4 (277V)	<b>DFP4</b>
DFP				5 (480V)	<b>DFP5</b>
DFP	SO			1 (120V)	<b>DFPSO1</b>
DFP	SO			4 (277V)	<b>DFPSO4</b>
DFP	SO			5 (480V)	<b>DFPSO5</b>
DFP	SO	F		1 (120V)	<b>DFPSOFF1</b>
DFP	SO	F		4 (277V)	<b>DFPSOFF4</b>
DFP	SO	F		5 (480V)	<b>DFPSOFF5</b>
DFP	SO	F	F	2 (120V)	<b>DFPSOFF2</b>
DFP	SO	F	F	3 (277V)	<b>DFPSOFF3</b>
DFP	SO	F	F	5 (480V)	<b>DFPSOFF5</b>

<sup>1</sup> Dead front plug includes cord, loop and dead front disconnect plug with Quick-On® hanger – 15' SO cord factory wired to fixture; order with PHS-XXXL (see mounting accessories)

<sup>2</sup> Not for Canada



Industrial Lighting

# Options & Accessories

## Mounting Accessories

INDUSTRIAL

(order separately) Plugs are Twist-Lock® type as manufactured by Hubbell Wiring Devices

Catalog #	Description
BLA-C4HLP-1	4' Cord, hook/loop and 120V 20A Twist-Lock® plug
BLA-C4HLP-4	4' Cord, hook/loop and 277V 20A Twist-Lock® plug
BLA-C4HLP1-15A	4' Cord, hook/loop and 120V 15A Twist-Lock® plug
BLA-C4HLP4-15A	4' Cord, hook/loop and 277V 15A Twist-Lock® plug
HOOKLOOP <sup>1</sup>	Hook - cast aluminum 3/4" NPS male; includes safety screw; converts to loop with strap included
H34-AL34 <sup>1</sup>	Swivel aligner - complete with box for thru wiring; all hubs tapped for 3/4" conduit - 25° swivel
PHE-XXX <sup>1</sup>	Die-cast aluminum power hook with 20A Twist-Lock® receptacle - ceiling or 3/4" pendant mount, with 3/4" side entry for thru wiring 15" Cord, Hook/Loop & Twist-Lock® plug (20 amp) included (for voltage replace XXX with 120, 208, 240, 277, 347, or 480)
PHE-XXX-L <sup>2</sup>	As above, except cord, loop & plug not included (for voltage replace XXX with 120, 208, 240, 277, 347, or 480)
PHS-XXX	Specification grade power hook - 30" cord dead front plug & receptacle with isolated wiring chamber; ceiling or 3/4" pendant mount, with 3/4" side entry for thru wiring; special safety feature locks hook/loop onto bottom hook (for voltage replace XXX with 120, 208, 240, 277, 347, or 480)
PHS-XXX-L <sup>1,3</sup>	Specification grade power hook - dead front receptacle with isolated wiring chamber; ceiling or 3/4" pendant mount, with 3/4" side entry for through wiring; cord, hook/loop and dead front plug not included, must be ordered with luminaire (for voltage replace XXX with 120, 208, 240, 277, 347, or 480)
SY3-XXX-2	Rugged steel power hook with 20A Twist-Lock® Receptacle - pendant or surface mount, 3/4" thru wiring capability; 30" cord, hook/loop and plug (20 amp) included (for voltage replace XXX with 120, 208, 240, 277, 347, or 480)
SY3-XXX-L <sup>2</sup>	Porta-hook includes integral mounting hook and 20A Twist-Lock® receptacle; 3/4" knockouts on top and two sides; cord, hook/loop and plug (20 amp) not included (for voltage replace XXX with 120, 208, 240, 277, 347, or 480)

<sup>1</sup> CSA certified

<sup>2</sup> Cord, hook/loop and plug must be added to fixture as option, example: -C2HLP4

<sup>3</sup> Cord, hook/loop and dead front plug must be added to fixture as option, example: -DFP4

NOTE: Cord used with above accessories is 16/3 SOWA 105°C NEMA configuration

See page 445 for detailed drawings.

## Superbay Fixture Temperature Information

	BALLAST TANK																
	BL-150P-X	BL-150S-X	BL-175P-X	BL-200P-X	BL-250P-X	BL-250S-X	BL-320P-X	BL-350P-X	BL-400P-X	BL-400S-X	BL-450P-X	BL-1000H-X	BL-1000P-X	BL-1000S-X			
	ENCLOSED - SUITABLE FOR OPERATION IN AMBIENT TEMPERATURES NOT EXCEEDING THOSE NOTED BELOW														BOTTOM ENCLOSURES		
OPTIC	BL-AL	55°C	55°C	55°C	55°C	55°C	55°C	55°C	55°C	55°C	55°C	55°C	55°C	55°C			BLLR19
	BL-BC	55°C	55°C	55°C	55°C	55°C	55°C	55°C	55°C	55°C	55°C	55°C	55°C	55°C			BLLR14
	BL-BI	55°C	55°C	55°C	55°C	55°C	55°C	55°C	55°C	55°C	55°C	55°C	55°C	55°C			BLLR14
	BL-SD	55°C	55°C	55°C	55°C	55°C	55°C	55°C	55°C	55°C	55°C	55°C	55°C	55°C			BLLR19
	BL-SU	55°C	55°C	55°C	55°C	55°C	55°C	55°C	55°C	55°C	55°C	55°C	55°C	55°C			BLLR19
	BL-OU60														40°C	40°C	CHENC23
	HGE-16	55°C	55°C	55°C	55°C	55°C	55°C	55°C	55°C	55°C	55°C	55°C	55°C	55°C	40°C	40°C	HGENC16
	HGE-22	55°C	55°C	55°C	55°C	55°C	55°C	55°C	55°C	55°C	55°C	55°C	55°C	55°C	40°C	40°C	HGENC22
	HGO-16	55°C	55°C	55°C	55°C	55°C	55°C	55°C	55°C	55°C	55°C	55°C	55°C	55°C	40°C	40°C	HGENC16
	HGO-22	55°C	55°C	55°C	55°C	55°C	55°C	55°C	55°C	55°C	55°C	55°C	55°C	55°C	40°C	40°C	HGENC22
	SW	55°C	55°C	55°C	55°C	55°C	55°C	55°C	55°C	55°C	55°C	55°C	55°C	55°C			INCLUDED
	EG	55°C	55°C	55°C	55°C	55°C	55°C	55°C	55°C	55°C	55°C	55°C	55°C	55°C			INCLUDED
	LB1	55°C	55°C	55°C	55°C	55°C	55°C	55°C	55°C	55°C	55°C	55°C	55°C	55°C			INCLUDED
	LM	55°C	55°C	55°C	55°C	55°C	55°C	55°C	55°C	55°C	55°C	55°C	55°C	55°C			INCLUDED
	BL-PA2	40°C	40°C	40°C	40°C	40°C	40°C	40°C	40°C	40°C	40°C	40°C	40°C	40°C			BLPKENC - PA2CDL - PA2DLR
	BL-GM22	55°C	55°C	55°C	55°C	55°C	55°C	55°C	55°C	55°C	55°C	55°C	55°C	55°C			WA2ENC - WA22CDL - WA22DLR
	BL-WA22	55°C	55°C	55°C	55°C	55°C	55°C	55°C	55°C	55°C	55°C	55°C	55°C	55°C			WA2ENC - WA22CDL - WA22DLR
	BL-WW22	55°C	55°C	55°C	55°C	55°C	55°C	55°C	55°C	55°C	55°C	55°C	55°C	55°C			WA2ENC - WA22CDL - WA22DLR

	BALLAST TANK														
	BL-150P-X-EX-X	BL-150S-X	BL-175P-X-EX-X	BL-200P-X-EX-X	BL-250P-X-EX-X	BL-250S-X-X	BL-320P-X-EX-X	BL-350P-X-EX-X	BL-400P-X-EX-X	BL-400S-X-X	BL-450P-X-EX-X	BL-1000H-X-EX-X	BL-1000S-X-X		
	OPEN - SUITABLE FOR OPERATION IN AMBIENT TEMPERATURES NOT EXCEEDING THOSE NOTED BELOW														
OPTIC	BL-AL	55°C	55°C	55°C	55°C	55°C	55°C	55°C	55°C	55°C	55°C	55°C	55°C		
	BL-BC	55°C	55°C	55°C	55°C	55°C	55°C	55°C	55°C	55°C	55°C	55°C	55°C		
	BL-BI	55°C	55°C	55°C	55°C	55°C	55°C	55°C	55°C	55°C	55°C	55°C	55°C		
	BL-SD	55°C	55°C	55°C	55°C	55°C	55°C	55°C	55°C	55°C	55°C	55°C	55°C		
	BL-SU	55°C	55°C	55°C	55°C	55°C	55°C	55°C	55°C	55°C	55°C	55°C	55°C		
	BL-OU60													40°C	40°C
	HGE-16	55°C	55°C	55°C	55°C	55°C	55°C	55°C	55°C	55°C	55°C	55°C	55°C	40°C	
	HGE-22	55°C	55°C	55°C	55°C	55°C	55°C	55°C	55°C	55°C	55°C	55°C	55°C	40°C	
	HGO-16	55°C	55°C	55°C	55°C	55°C	55°C	55°C	55°C	55°C	55°C	55°C	55°C	40°C	
	HGO-22	55°C	55°C	55°C	55°C	55°C	55°C	55°C	55°C	55°C	55°C	55°C	55°C	40°C	
	BL-PA2	55°C	55°C	55°C	55°C	55°C	55°C	55°C	55°C	55°C	55°C	55°C	55°C		
	BL-GM22	55°C	55°C	55°C	55°C	55°C	55°C	55°C	55°C	55°C	55°C	55°C	55°C		
	BL-WA22	55°C	55°C	55°C	55°C	55°C	55°C	55°C	55°C	55°C	55°C	55°C	55°C		
	BL-WW22	55°C	55°C	55°C	55°C	55°C	55°C	55°C	55°C	55°C	55°C	55°C	55°C		
	BL-WA25	55°C	55°C	55°C	55°C	55°C	55°C	55°C	55°C	55°C	55°C	55°C	55°C	25°C	25°C



Industrial Lighting

# Ballast Housing & Optical Assembly

## Optic Combinations

INDUSTRIAL

These fittings are supplied for field assembly into a complete high intensity discharge fixture and are grouped into ballast housings, optical assemblies and mounting hangers.

The charts below indicates the ballast and optical assembly combinations that go together to make listed fixtures suitable for ambient locations shown. All options that appear as -X suffixes to the ballast housing or optical assembly catalog numbers are included except as noted as follows. In addition, a suitable optical assembly for the table below must be field assembled to this ballast housing to form a complete fixture. Optional lens assemblies may be added to specific reflectors in the field to provide a bottom enclosure.

The tables indicates the appropriate lens assembly that fits onto the specific reflector. The tables relates the optical assembly catalog numbers on the left hand column and ballast housing catalog numbers across the top and the lens assemblies on the right. The body of the table is filled in with allowable ambient temperature limits.

### CAUTION:

To reduce the RISK of Fire when using an open bottom reflector or refractor, INSTALL A LAMP MARKED FOR USE IN OPEN LUMINAIRES ONLY (-/0 suffix code in lamp marking on product). Luminaires marked -/E suffix code marking on the product must be used with an enclosed optic. Follow all lamp manufacturer's recommendations.

## EL Series Fixture Temperature Information

OPTIC	BALLAST TANK	OPEN			ENCLOSED			BOTTOM ENCLOSURES		
		EL-320PX-EX-X	EL-350PX-EX-X	EL-400PX-EX-X	EL-320P-X	EL-350P-X	EL-400P-X			
BL-AL		45°C	45°C	45°C	45°C	45°C	45°C	BLLR19		
BL-BI		45°C	45°C	45°C	45°C	45°C	45°C	BLLR14		
HGE-16		45°C	45°C	45°C	45°C	45°C	45°C	BLLR19		
HGE-22		45°C	45°C	45°C	45°C	45°C	45°C	HGENC16		
HGO-16		45°C	45°C	45°C	45°C	45°C	45°C	HGENC16		
HGO-22		45°C	45°C	45°C	45°C	45°C	45°C	HGENC22		
BL-PA2		45°C	45°C	45°C	45°C	45°C	45°C	INCLUDED		
BL-SD		45°C	45°C	45°C	45°C	45°C	45°C	INCLUDED		
BL-SU		45°C	45°C	45°C	45°C	45°C	45°C	INCLUDED		
BL-WA22		45°C	45°C	45°C	45°C	45°C	45°C	INCLUDED		
BL-WW22		45°C	45°C	45°C	45°C	45°C	45°C	INCLUDED		
BL-WA25		45°C	45°C	45°C	45°C	45°C	45°C	BLPKENC	PA2DLR	PA2CDL
BL-GM22		45°C	45°C	45°C	45°C	45°C	45°C	BLLR19		
CH-LM		45°C	45°C	45°C	45°C	45°C	45°C	BLLR19		
CH-LMP		45°C	45°C	45°C	45°C	45°C	45°C	WA2ENC	WA22DLR	WA22CDL
BL-PA2		45°C	45°C	45°C	45°C	45°C	45°C	WA2ENC	WA22DLR	WA22CDL
BL-SD		45°C	45°C	45°C	45°C	45°C	45°C	WA2ENC	WA22DLR	WA22CDL
BL-SU		45°C	45°C	45°C	45°C	45°C	45°C	INCLUDED		
BL-WA22		45°C	45°C	45°C	45°C	45°C	45°C			
BL-WW22		45°C	45°C	45°C	45°C	45°C	45°C			
BL-GM22		45°C	45°C	45°C	45°C	45°C	45°C			
CH-SW		45°C	45°C	45°C	45°C	45°C	45°C			

## Tribay Series Open Fixture Temperature Information

OPTIC	BALLAST TANK	OPEN														
		CH-250P-X-EX-X	CH-250S	CH-320P-X-EX-X	CH-350P-X-EX-X	CH-400P-X-EX-X	CH-400S	CH-450P-X-EX-X	CH-600S	CH-600SHA	CH-750P-X-EX-X	CH-750P-X-EX-XHA	CH-1000H-X-EX-X	CH-1000HHA-X-EX-X	CH-1000S	CH-1000SHA-X-EX-X
CHEU		65°C	65°C	65°C	65°C	65°C	65°C	65°C			65°C					
CHOU		65°C	65°C	65°C	65°C	65°C	65°C	65°C	65°C	65°C	65°C					
CHOU60					65°C	65°C	65°C	65°C	65°C	55°C	65°C	65°C	55°C	65°C	55°C	65°C
CHEU60					65°C	65°C	65°C	65°C	55°C	65°C	55°C	65°C	55°C	65°C	55°C	65°C
HGE-16		65°C	65°C	65°C	65°C	65°C	65°C	65°C			55°C	65°C				
HGO-16		65°C	65°C	65°C	65°C	65°C	65°C	65°C			55°C	65°C	55°C	65°C		
HGE-22		65°C	65°C	65°C	65°C	65°C	65°C	65°C			55°C	65°C	55°C	65°C		
HGO-22		65°C	65°C	65°C	65°C	65°C	65°C	65°C			55°C	65°C	55°C	65°C		
WA22		55°C	55°C	55°C	55°C	55°C	55°C	55°C	40°C							
WW22		55°C	55°C	55°C	55°C	55°C	55°C	55°C	40°C							
CHGM22		50°C	50°C	45°C	55°C	55°C	55°C	55°C	40°C							
CHWA25		55°C	55°C	55°C	55°C	55°C	55°C	55°C					25°C		25°C	



Industrial Lighting

# Ballast Housing & Optical Assembly

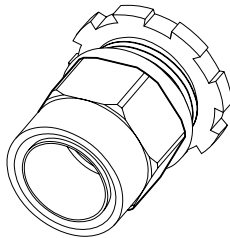
## Tribay Series Enclosed Fixture Temperature Information

BALLAST TANK	ENCLOSED														BOTTOM ENCLOSURES			
	CH-250P-X	CH-250S	CH-320P-X	CH-350P-X	CH-400P-X	CH-400S-X	CH-450P-X	CH-600S-X	CH-600SHA-X	CH-750P-X	CH-750PHA-X	CH-1000P-X	CH-1000PHA-X	CH-1000H-X	CH-1000HA-X	CH-1000S-X	CH-1000SHA-X	
CHEU	NA	65°C	65°C	65°C	65°C	65°C	65°C	65°C	65°C		65°C							CHENC19
CHOU	NB	65°C	65°C	65°C	65°C	65°C	65°C	65°C	65°C	65°C	65°C							CHENC19
CHOU60	NB				65°C	65°C	65°C	65°C	55°C	65°C	55°C	65°C	55°C	65°C	55°C	65°C	65°C	CHENC23
CHEU60	NA				65°C	65°C	65°C	65°C	55°C	65°C	55°C	65°C	55°C	65°C	55°C	65°C	65°C	CHENC23
CHLM	NE	65°C	65°C	55°C	55°C	55°C	55°C	40°C	40°C		40°C							INCLUDED
CHSW	NC	55°C	55°C	55°C	55°C	55°C	55°C	55°C	55°C									INCLUDED
HGE-16	NJ	65°C	65°C	65°C	65°C	65°C	65°C	65°C										HGENC16
HGO-16	NH	65°C	65°C	65°C	65°C	65°C	65°C	65°C										HGENC16
HGE-22	NK	65°C	65°C	65°C	65°C	65°C	65°C	65°C										HGENC22
HGO-22	NI	65°C	65°C	65°C	65°C	65°C	65°C	65°C										HGENC22
WA22	ND	55°C	55°C	55°C	55°C	55°C	55°C	55°C	40°C									WA2ENC - WA2CDL - WA2DLR
WW22	ND	55°C	55°C	55°C	55°C	55°C	55°C	55°C	40°C									WA2ENC - WA2CDL - WA2DLR
CHGM22	ND	50°C	50°C	45°C	55°C	55°C	55°C	55°C	40°C									WA2ENC - WA2CDL - WA2DLR

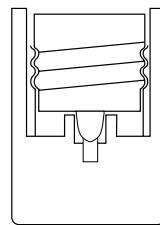
INDUSTRIAL

# Options & Accessories

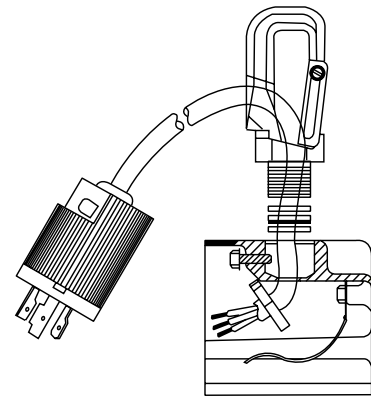
## Accessories Details



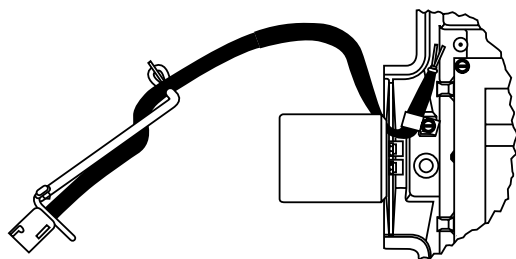
**FIG. 1**  
**-CFB**  
CHARCOAL FILTER  
BREATHER  
TRIBAY/SUPERBAY



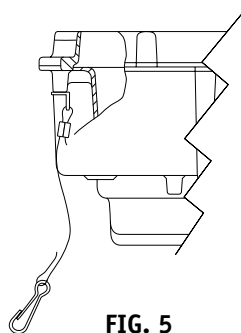
**FIG. 2**  
**-EX**  
EXCLUSIONARY  
MOGUL SOCKET  
TRIBAY/SUPERBAY



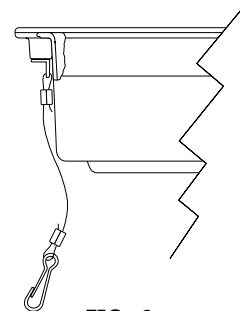
**FIG. 3**  
**-CXHL**  
CORD/HOOK/LOOP  
TRIBAY



**FIG. 4**  
**-EM/-QSS/-QST**  
EM - EMERGENCY QUARTZ LAMP SOCKET  
QSS - QUARTZ STANDBY  
QST - QUARTZ STANDBY WITH TIE DELAY  
TRIBAY/SUPERBAY



**FIG. 5**  
**-LRI**  
LOWER LUMINAIRE  
RETAINER (INSTALLED)  
LARGE REFLECTOR  
TRIBAY



**FIG. 6**  
**-LRI**  
LOWER LUMINAIRE  
RETAINER (INSTALLED)  
SMALL REFLECTOR  
TRIBAY



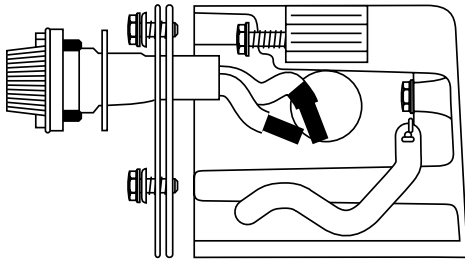
Industrial Lighting



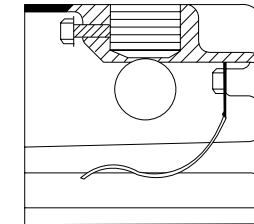
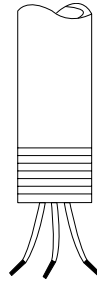
# Options & Accessories

## Accessories Details

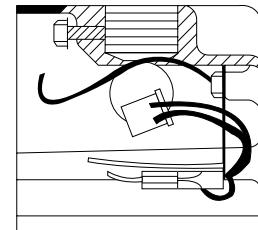
INDUSTRIAL



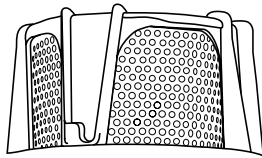
**FIG. 7**  
**CHF/CHFF**  
SINGLE/DOUBLE FUSE KIT  
TRIBAY



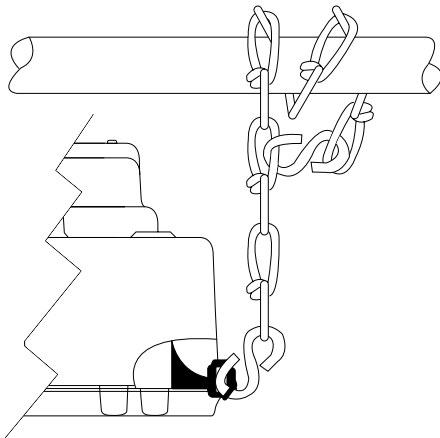
**FIG. 8**  
**CH-B**  
WIRING BOX WITH NO  
ELECTRICAL DISCONNECT  
TRIBAY



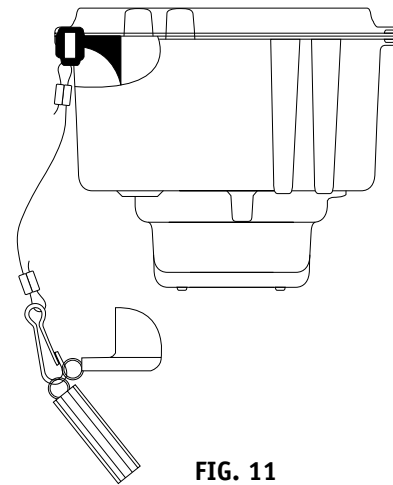
**FIG. 9**  
**CH-Q**  
WIRING BOX WITH  
ELECTRICAL DISCONNECT  
(QUICK-ZONE®)  
TRIBAY



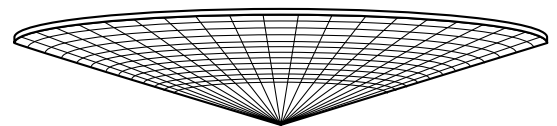
**FIG. 10**  
**WA-T**  
PERFORATED METAL TOP  
ENCLOSURE  
TRIBAY



**FIG. 12**  
**CH-TLR**  
TOP LUMINAIRE RETAINER  
(FOR FIELD INSTALLATION)  
TRIBAY



**FIG. 11**  
**CH-LLR**  
LOWER LUMINAIRE RETAINER  
(FOR FIELD INSTALLATION)  
TRIBAY



**FIG. 13**  
**WA22-CDL**  
CONICAL DROP PRISMATIC LENS  
FOR WA22 REFLECTOR  
TRIBAY/SUPERBAY

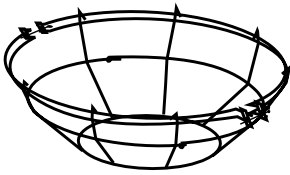


Industrial Lighting

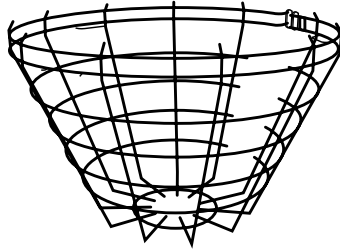
# Options & Accessories

## Mounting Accessories Details

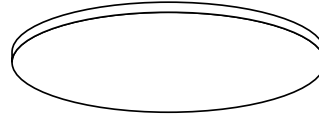
INDUSTRIAL



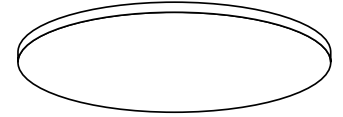
**FIG. 14**  
**WG-XX**  
WIRE GUARD FOR HIGHBAY REFLECTORS  
TRIBAY/SUPERBAY



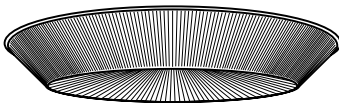
**FIG. 15**  
**SW-WG**  
SUPERWATT® FULL WIRE GUARD WITH SAFETY CHAIN  
TRIBAY/SUPERBAY



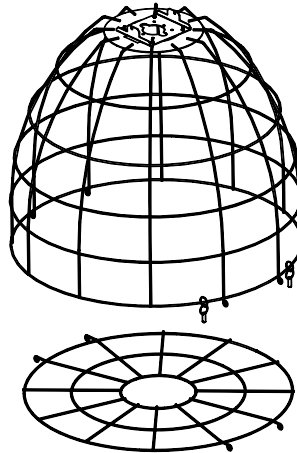
**FIG. 16**  
**BL-LR**  
TEMPERED GLASS LENS  
SUPERBAY



**FIG. 17**  
**-ENC**  
TEMPERED GLASS LENS  
FLAT ACRYLIC BOTTOM ENCLOSURE  
TRIBAY/SUPERBAY

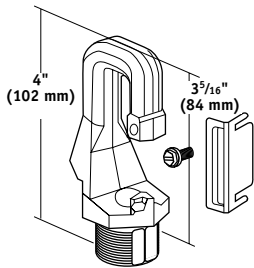


**FIG. 18**  
**DLR/DLR2**  
DROP LENS REFRACTOR  
TRIBAY/SUPERBAY

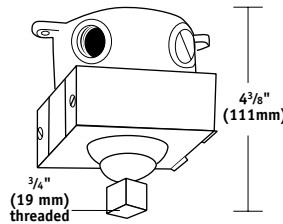


**FIG. 19**  
**FWG**  
FULL WIRE GUARD  
FOR ACRYLIC REFLECTORS  
TRIBAY/SUPERBAY

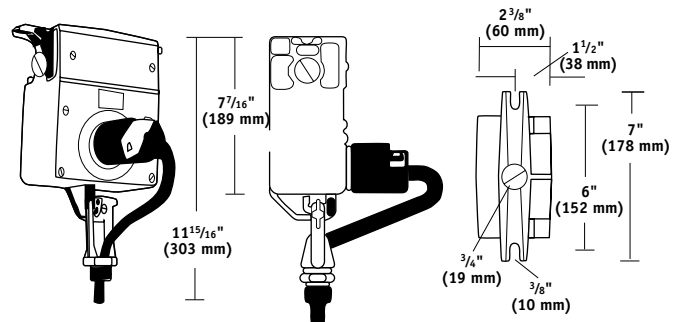
**HG-FWG**  
FULL WIRE GUARD  
FOR GLASS REFLECTORS  
TRIBAY/SUPERBAY



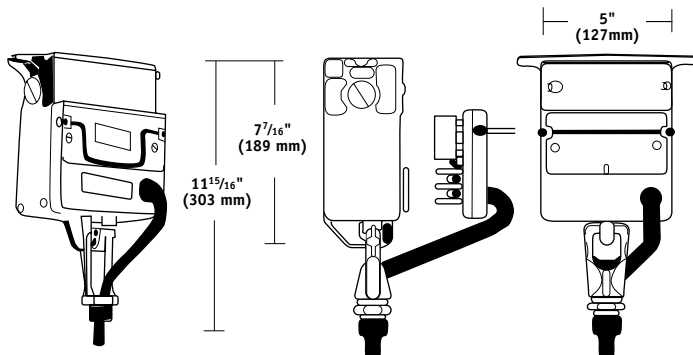
**HOOKLOOP**



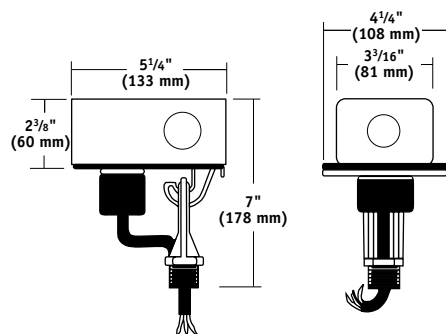
**H34-AL34**  
SWIVEL ALIGNER



**PHE-XXX**  
TWIST-LOCK RECEPTACLE POWER HOOK



**PHS-XXX**  
SPECIFICATION GRADE POWER HOOK



**SY-3**



Industrial Lighting