

BALDOR® • RELIANCE

Product Information Packet

EMM3714

7.5KW,1770RPM,3PH,60HZ,D132M,3752M,TEFC

Part Detail							
Revision:	J	Status:	PRD/A	Change #:		Proprietary:	No
Type:	AC	Prod. Type:	3752M	Elec. Spec:	37WGS518	CD Diagram:	CD0005
Enclosure:	TEFC	Mfg Plant:		Mech. Spec:	37E617	Layout:	37LYE617
Frame:	D132M	Mounting:	B3	Poles:	04	Created Date:	04-26-2010
Base:	RG	Rotation:	R	Insulation:	F	Eff. Date:	06-02-2016
Leads:	9#14					Replaced By:	
Literature:		Elec. Diagram:					

Nameplate NP1159L			
CAT.NO.	EMM3714		
SPEC.	37E617S518G1		
IEC FRAME	D132M	KW	7.5KW
VOLTS	230/460		
AMP	24/12		
RPM	1770	ENCL	TEFC
HZ	60	PH	3
SER.F.	1.15	DES	A
NEMA-NOM-EFF	91.7	I.P.	54
RATING	40C AMB-CONT		
CC	010A	USABLE AT 208V	25.4
DE	6208	ODE	6206
SER. #			
	10 HP		

AC Induction Motor Performance Data

Record # 57408 - Typical performance - not guaranteed values

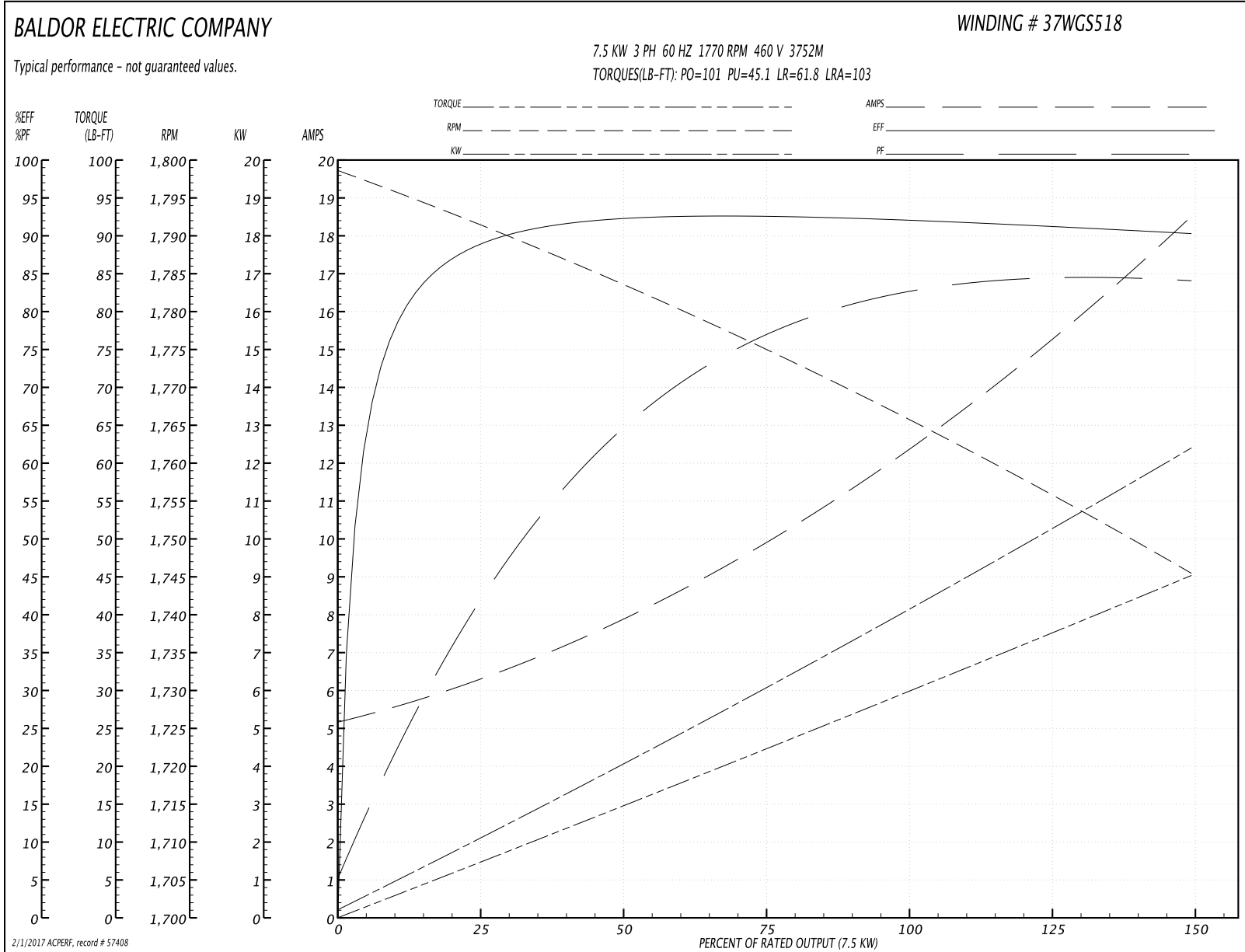
Winding: 37WGS518-R079	Type: 3752M	Enclosure: TEFC
-------------------------------	--------------------	------------------------

Nameplate Data				460 V, 60 Hz: High Voltage Connection	
Rated Output (KW)	7.5			Full Load Torque	30 LB-FT
Volts	230/460			Start Configuration	direct on line
Full Load Amps	24/12			Breakdown Torque	101 LB-FT
R.P.M.	1770			Pull-up Torque	45.1 LB-FT
Hz	60	Phase	3	Locked-rotor Torque	61.8 LB-FT
NEMA Design Code	A	KVA Code	K	Starting Current	103 A
Service Factor (S.F.)	1.15			No-load Current	5.36 A
NEMA Nom. Eff.	91.7	Power Factor	85	Line-line Res. @ 25°C	0.912 Ω
Rating - Duty	40C AMB-CONT			Temp. Rise @ Rated Load	68°C
S.F. Amps				Temp. Rise @ S.F. Load	84°C
				Locked-rotor Power Factor	35.2
				Rotor inertia	1.28 LB-FT ²

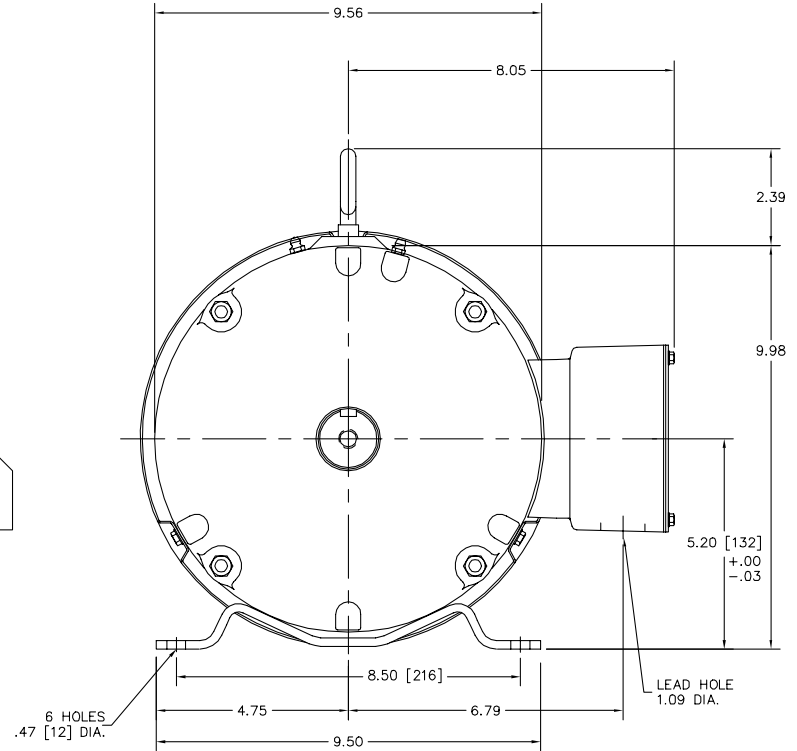
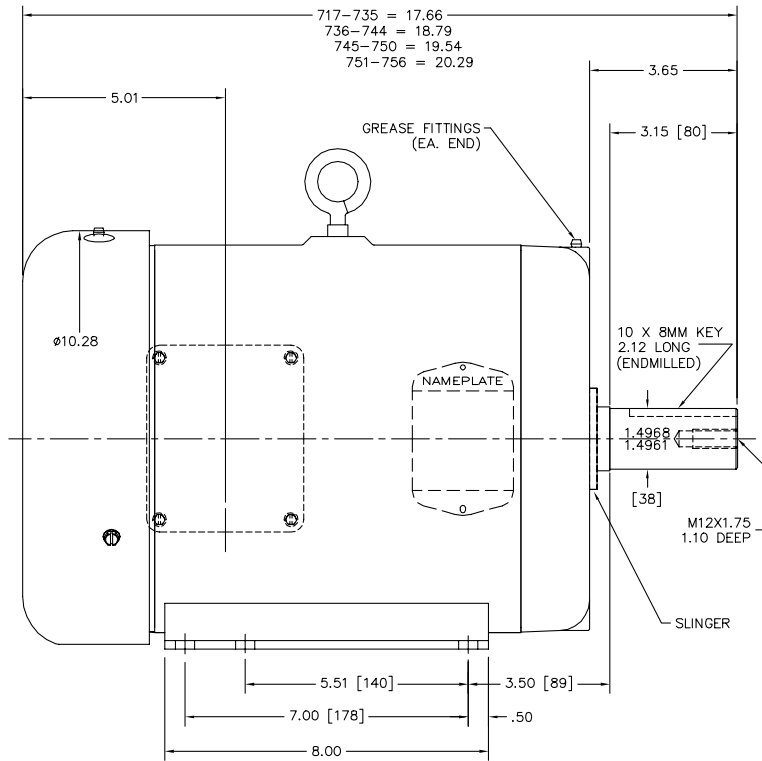
Load Characteristics 460 V, 60 Hz, 7.5 KW

% of Rated Load	25	50	75	100	125	150	S.F.
Power Factor	44	66	77	81	84	85	83
Efficiency	89.1	92.1	92.6	92.2	91.4	90.3	91.7
Speed	1791	1783	1775	1766	1756	1745	1760
Line amperes	6.08	7.74	10	12.6	15.4	18.4	14.3

Performance Graph at 460V, 60Hz, 7.5KW Typical performance - Not guaranteed values



37LYE617



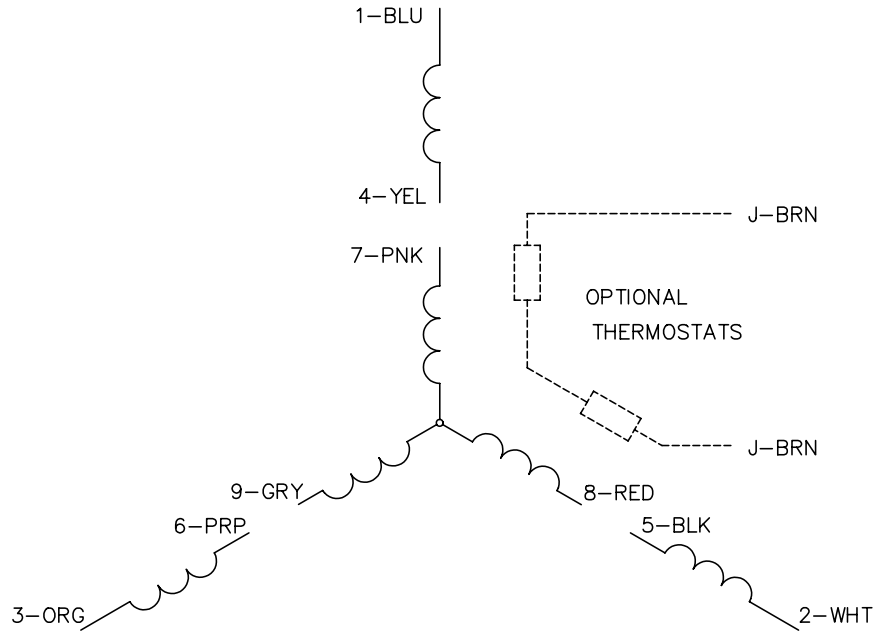
37LYE617

CUSTOMER IS RESPONSIBLE FOR DETERMINING THAT BALDOR'S PRODUCT WILL PERFORM SUITABLY IN THE INTENDED APPLICATION.

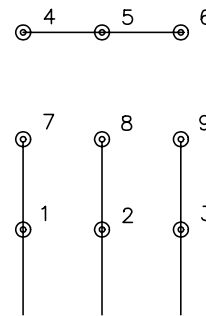
REV. DESC: CHG 736-744 STACK FROM 18.91 TO 18.79	VERSION: 03	TDR: 000000790121
REV. LTR: K	REVISD: 12:57:16 03/12/2013	BY: ENGARJ0
FILE: \AAA\00010\001		
MTL: -		

BALDOR
STD HORZ IEC D132S-M TEFC 37M B3 MTG W/ M12X1.75 TAP
SH 1 of 1

CD0005

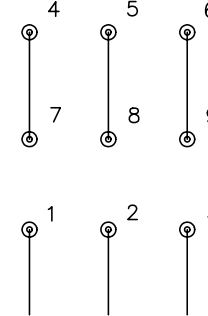


LOW VOLTAGE
(2Y)



LINE

HIGH VOLTAGE
(1Y)



LINE

NOTES:

1. INTERCHANGE ANY TWO LINE LEADS TO REVERSE ROTATION.
2. OPTIONAL THERMOSTATS ARE PROVIDED WHEN SPECIFIED.
3. ACTUAL NUMBER OF INTERNAL PARALLEL CIRCUITS MAY BE A MULTIPLE OF THOSE SHOWN ABOVE.
4. LEAD COLORS ARE OPTIONAL. LEADS MUST ALWAYS BE NUMBERED AS SHOWN.

REV. DESC: REVISE TO SHOW OPTIONAL COLORS			
REV. LTR: E	BY: JLP	REVISED: 01/19/99 10:15	TDR: 0171435
900003		FILE: AAA00005140	MDL: -
		MTL: -	

BALDOR ELECTRIC Co.

3PH, DV, 9 LEADS

CD0005