

BALDOR® • ***RELIANCE***

Product Information Packet

L3509

1HP,3450RPM,1PH,60HZ,56/56H,3520L,TEFC

Part Detail							
Revision:	AL	Status:	PRD/A	Change #:		Proprietary:	No
Type:	AC	Prod. Type:	3520L	Elec. Spec:	35WGX964	CD Diagram:	CD0001
Enclosure:	TEFC	Mfg Plant:		Mech. Spec:	35J383	Layout:	35LYJ383
Frame:	56/56H	Mounting:	F1	Poles:	02	Created Date:	06-22-2007
Base:	RG	Rotation:	R	Insulation:	B	Eff. Date:	01-04-2017
Leads:	4#16 A PH,2#18 B PH					Replaced By:	
Literature:		Elec. Diagram:					

Nameplate NP1256L										
CAT.NO.	L3509									
SPEC.	35J383X964									
HP	1									
VOLTS	115/230									
AMP	11.8/5.9									
RPM	3450									
FRAME	56/56H				HZ	60			PH	1
SER.F.	1.25		CODE	K	DES	N		CLASS	B	
NEMA-NOM-EFF	68		PF	82						
RATING	40C AMB-CONT									
CC									USABLE AT 208V	6.1
DE	6205				ODE	6203				
ENCL	TEFC		SN							
	SFA 14/7									

AC Induction Motor Performance Data

Record # 10114 - Typical performance - not guaranteed values

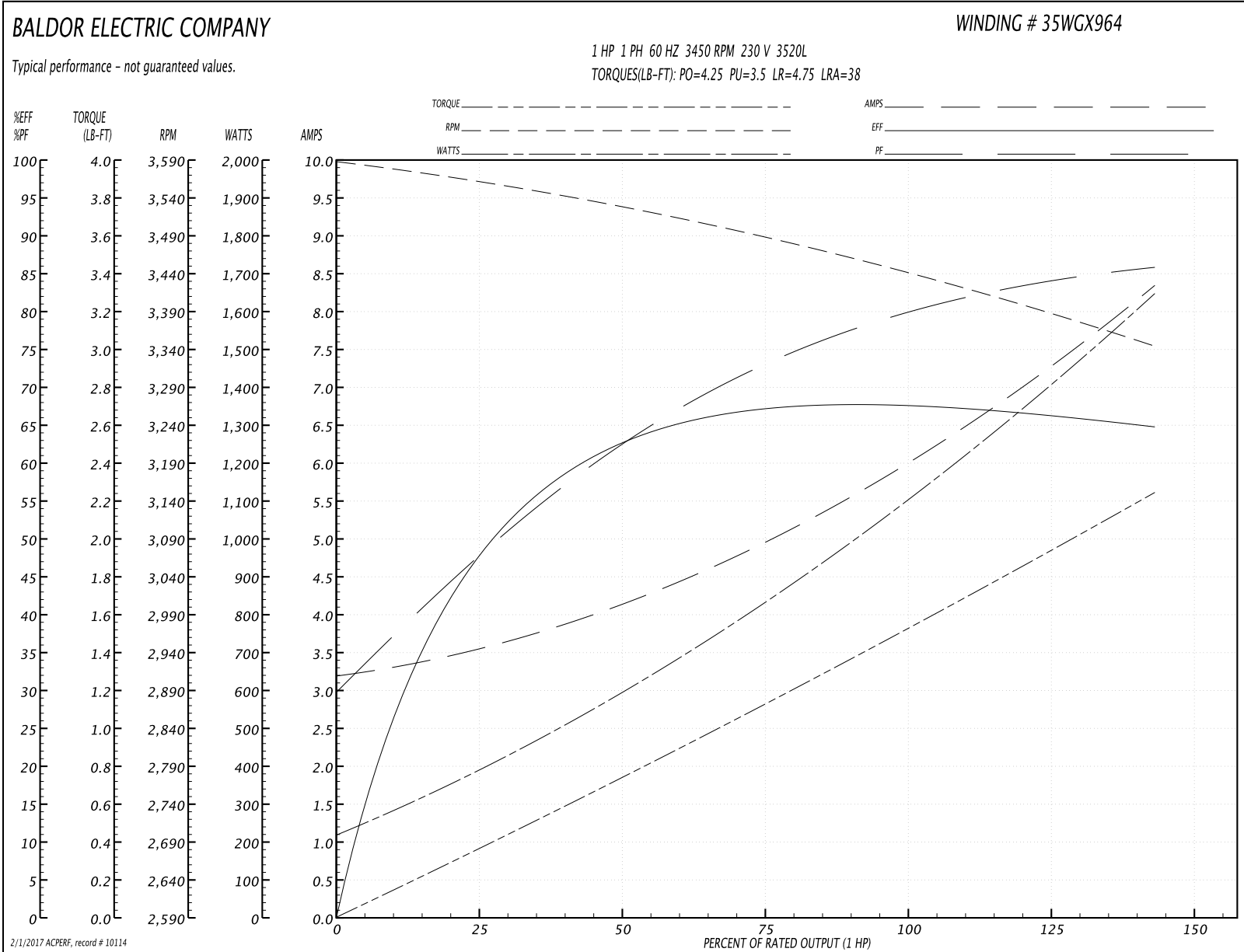
Winding: 35WGX964-R001	Type: 3520L	Enclosure: TEFC
-------------------------------	--------------------	------------------------

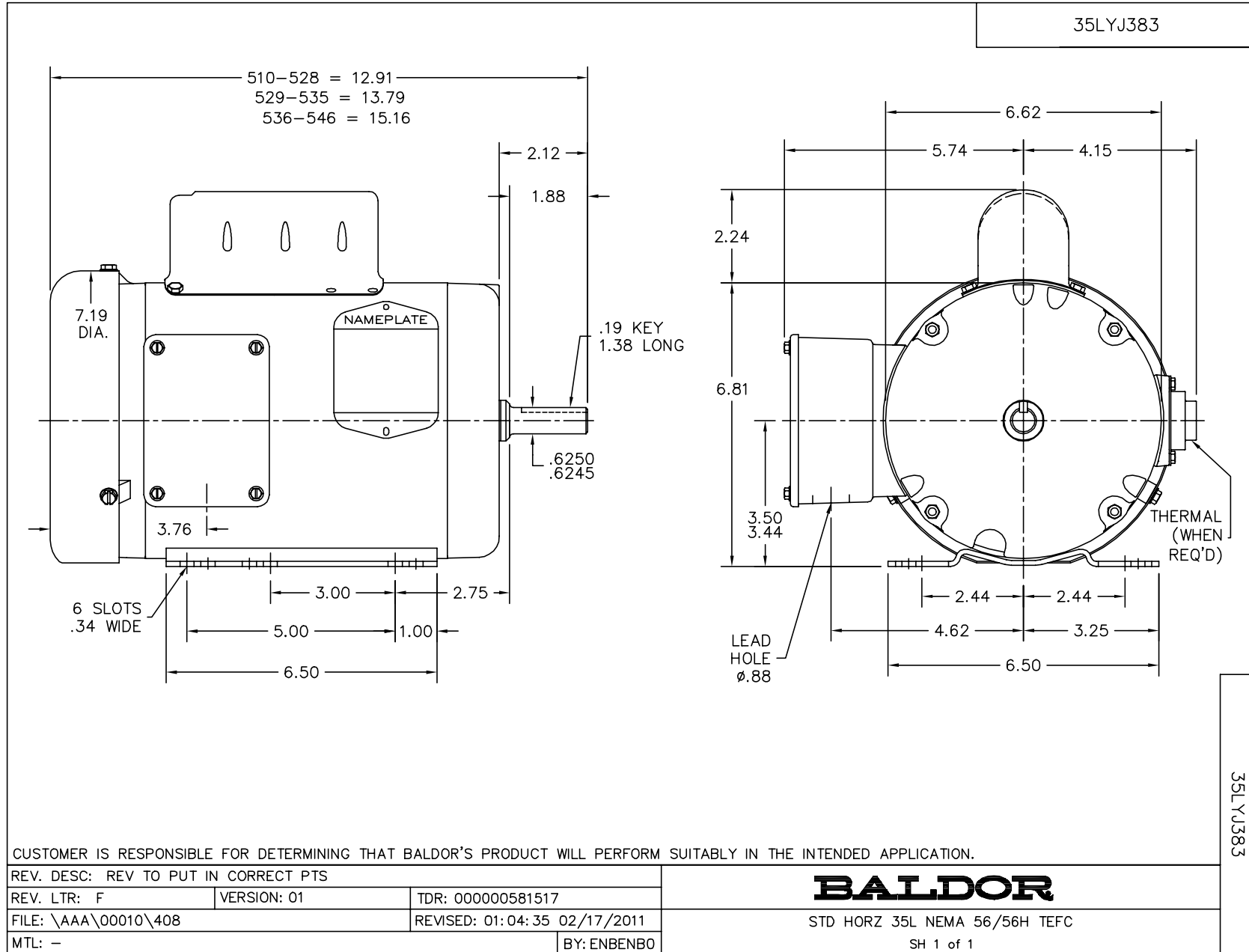
Nameplate Data				230 V, 60 Hz: High Voltage Connection	
Rated Output (HP)	1			Full Load Torque	1.5 LB-FT
Volts	115/230			Start Configuration	direct on line
Full Load Amps	11.8/5.9			Breakdown Torque	4.25 LB-FT
R.P.M.	3450			Pull-up Torque	3.5 LB-FT
Hz	60	Phase	1	Locked-rotor Torque	4.75 LB-FT
NEMA Design Code	N	KVA Code	K	Starting Current	38 A
Service Factor (S.F.)	1.25			No-load Current	3.2 A
NEMA Nom. Eff.	68	Power Factor	82	Line-line Res. @ 25°C	2 Ω A Ph 1.77 Ω B Ph
Rating - Duty	40C AMB-CONT			Temp. Rise @ Rated Load	72°C
S.F. Amps	14/7			Temp. Rise @ S.F. Load	90°C

Load Characteristics 230 V, 60 Hz, 1 HP

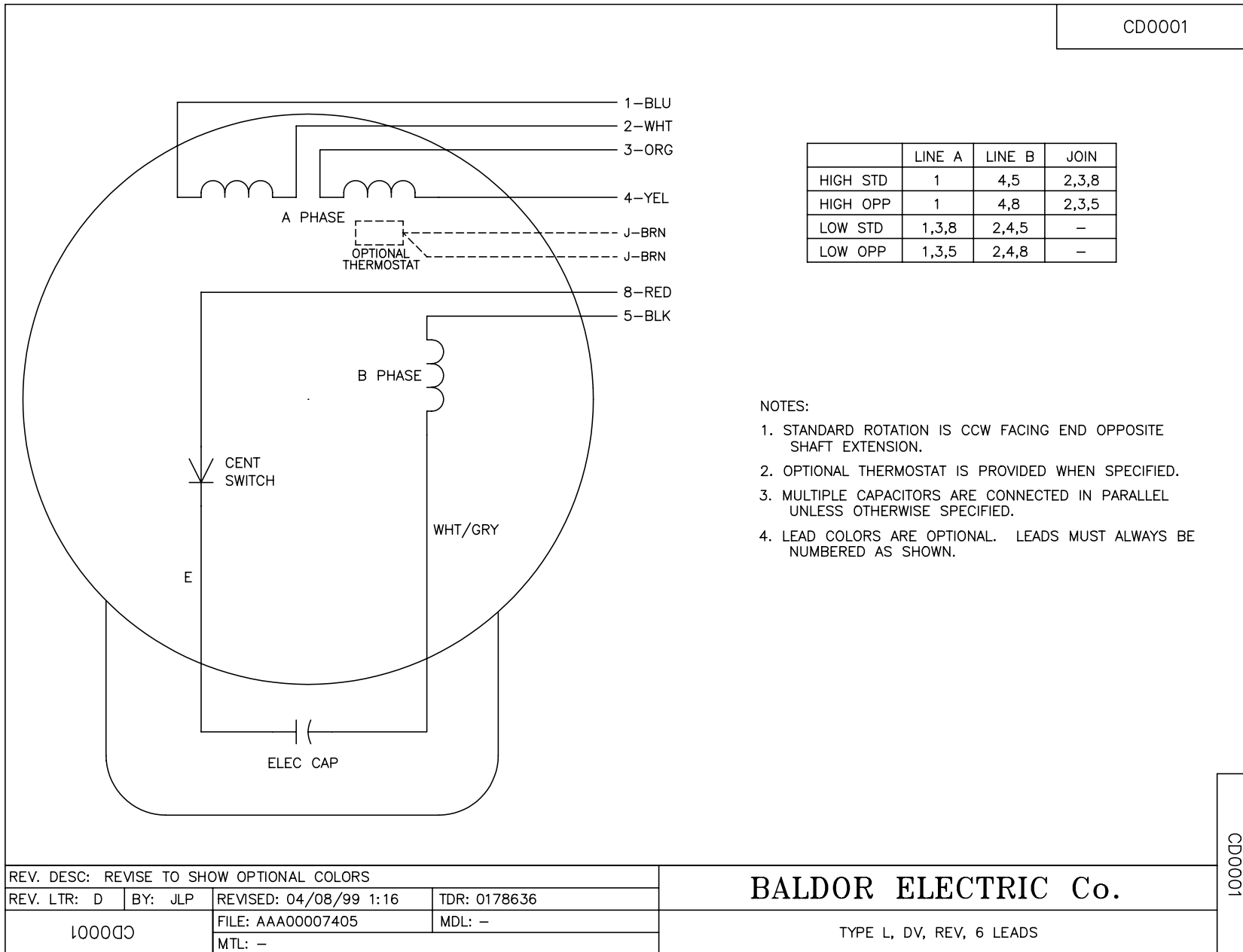
% of Rated Load	25	50	75	100	125	150	S.F.
Power Factor	47	64	72	80	84	86	84
Efficiency	50	61	67	68	67	64.5	67
Speed	3560	3525	3485	3450	3400	3340	3400
Line amperes	3.5	4.2	5	5.9	7	8.4	7

Performance Graph at 230V, 60Hz, 1.0HP Typical performance - Not guaranteed values





CD0001



REV. DESC: REVISE TO SHOW OPTIONAL COLORS			
REV. LTR: D	BY: JLP	REVISED: 04/08/99 1:16	TDR: 0178636
100000		FILE: AAA00007405	MDL: -
		MTL: -	

BALDOR ELECTRIC Co.

TYPE L, DV, REV, 6 LEADS

CD0001