



# 8750

## Description

POS Position Oriented, Mogul Base, One-Piece, Keyless, HID, Glazed Porcelain Lampholder, Super Metalarc Horz HID, Single Circuit, TWO #8-32 BY 5/8 inch long mounting screws held captive, two-12 inch leads 14AWG SEW-2 glass braid, one black and one white, free ends stripped 1/2 inch; Yellow.

## Product Features

**Color:** Yellow



- Lamp Socket Base: Mogul
- Construction: One-Piece
- Lamp Type: Super Metalarc Horz HID
- Circuit: Single Circuit
- Access: Back Wired
- Wattage Rating: 1500W
- Voltage: 600 Volt
- Termination: 12-Inch 14GA SEW-2 200C Leads
- Mounting Type: 2 8-32 Screws
- Screw Shell Material: Nickel-Plated Copper Alloy
- Shell Material: Glazed Porcelain
- Contact Material: Nickel-Plated Copper-Alloy
- Color: Yellow
- Standards and Certifications: UL/CSA
- Warranty: 1 Year Limited
- Availability: Distribution

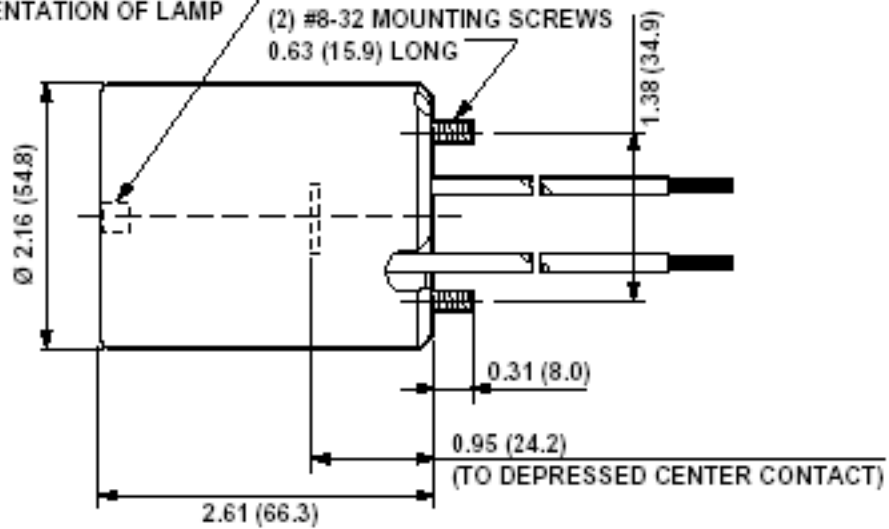
Electrical Specifications	
Wattage Rating	1500W
Voltage	600 Volt
Termination	12-Inch 14GA SEW-2 200C Leads
Circuit	Single Circuit

Mechanical Specifications	
Style Name	POS Position Oriented
Lamp Socket Base	Mogul
Construction	One-Piece
Lamp Type	Super Metalarc Horz HID
Access	Back Wired
Mounting Type	2 8-32 Screws

Material Specifications	
Screw Shell Material	Nickel-Plated Copper Alloy
Shell Material	Glazed Porcelain
Contact Material	Nickel-Plated Copper-Alloy
Center Coil Spring	Stainless Steel

Standards and Certifications	
UL Listed	File E13402
CSA Certified	File LR-1863

ASSEMBLE SOCKET WITH MOUNTING HOLES IN HORIZONTAL POSITION WITH NOTCH AT BOTTOM FOR CORRECT ORIENTATION OF LAMP



**SPECIFICATION SUBMITTAL**

JOB NAME: <input type="text"/>	CATALOG NUMBERS: <input type="text"/>	
JOB NUMBER: <input type="text"/>	<input type="text"/>	<input type="text"/>

**Leviton Manufacturing Co., Inc.**

59-25 Little Neck Parkway, Little Neck, NY 11362-2591  
 Telephone: 1-800-323-8920 · FAX: 1-800-832-9538 · Tech Line (8:30AM-7:30PM E.S.T. Monday-Friday): 1-800-824-3005

**Leviton Manufacturing of Canada, Ltd.**

165 Hymus Boulevard, Pointe Claire, Quebec H9R 1E9 · Telephone: 1-800-469-7890 · FAX: 1-800-824-3005

**Leviton S. de R.L. de C.V.**

Lago Tana 43, Mexico DF, Mexico CP 11290 · Tel.: (+52)55-5082-1040 · FAX: (+52)5386-1797 · [www.leviton.com.mx](http://www.leviton.com.mx)



**Visit our Website at: [www.leviton.com](http://www.leviton.com)**

©2007 Leviton Manufacturing Co., Inc. All rights reserved. Subject to change without notice.