

# **BALDOR**® • ***RELIANCE***

## **Product Information Packet**

# **ECP3665T**

**5HP,1750RPM,3PH,60HZ,184T,0641M,TEFC,F1**

Part Detail							
Revision:	P	Status:	PRD/A	Change #:		Proprietary:	No
Type:	AC	Prod. Type:	0642M	Elec. Spec:	06WGX182	CD Diagram:	CD0005
Enclosure:	TEFC	Mfg Plant:		Mech. Spec:	06H483	Layout:	06LYH483
Frame:	184T	Mounting:	F1	Poles:	04	Created Date:	04-05-2012
Base:	RG	Rotation:	R	Insulation:	F	Eff. Date:	04-08-2016
Leads:	9#16					Replaced By:	
Literature:		Elec. Diagram:					

<b>Nameplate NP3257E</b>										
<b>CAT.NO.</b>	ECP3665T									
<b>SPEC.</b>	06H483X182G1									
<b>HP</b>	5	TE								
<b>VOLTS</b>	208-230/460									
<b>AMP</b>	14-13/6.5									
<b>RPM</b>	1750									
<b>FRAME</b>	184T						<b>HZ</b>	60		
<b>SER.F.</b>	1.15				<b>CODE</b>	J	<b>DES</b>	B		
<b>RATING</b>	40C AMB-CONT									
<b>SN</b>										
<b>DE</b>	6206					<b>ODE</b>	6206			
<b>NEMA-NOM-EFF</b>	89.5					<b>PF</b>	79			
<b>G.MIN.EFF</b>	87.5					<b>CC</b>	010A			
<b>T. CODE</b>	T3C					<b>T=</b>	160			
								<b>PH</b>	3	
								<b>CL</b>	F	

<b>Nameplate NP3260E</b>			
<b>SPEC.</b>	06H483X182G1		
<b>D.E. BRG.</b>	30BC02XP30X		
<b>O.D.E. BRG.</b>	30BC02XP30X		
<b>GREASE</b>	POLYREX EM		
<b>RPM MAX</b>	2700	<b>MAX. KVAR</b>	1.7
<b>BLANK</b>			
<b>INV. TYPE</b>	PWM		
<b>T=</b>	160		
<b>C HP FR</b>	60		
<b>CT HZ FROM</b>	1.7		
<b>VT HZ FROM</b>	0-		
<b>C HP TO</b>	90		
<b>CT HZ TO</b>	60		
<b>VT HZ TO</b>	60		
<b>HTR-VOLTS</b>			
<b>HTR-WATTS</b>			
<b>HTR-AMPS</b>			
<b>MAX. SPACE HEATER TEMP.</b>			

**AC Induction Motor Performance Data**

Record # 47003 - Typical performance - not guaranteed values

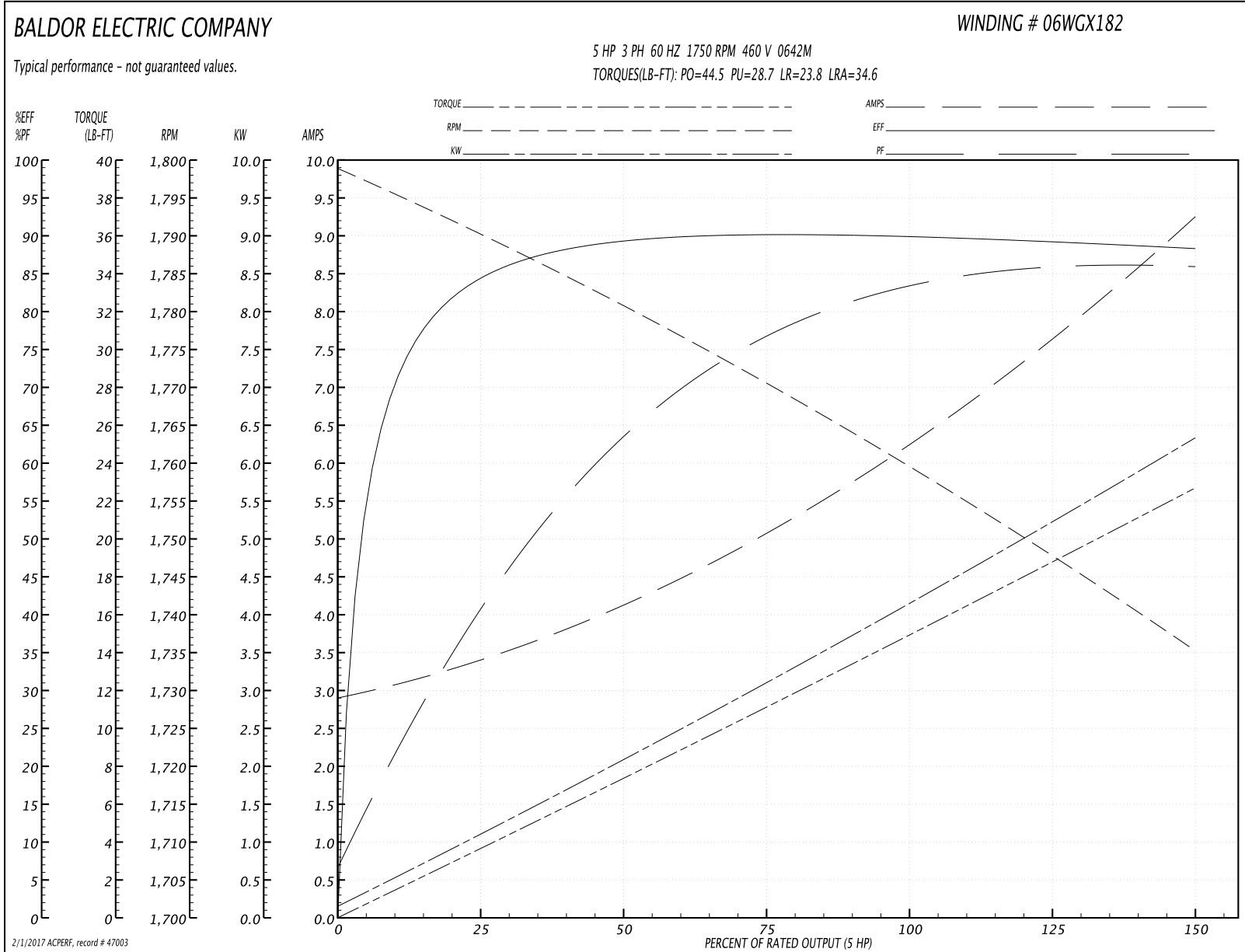
<b>Winding:</b> 06WGX182-R063	<b>Type:</b> 0642M	<b>Enclosure:</b> TEFC
-------------------------------	--------------------	------------------------

Nameplate Data				460 V, 60 Hz: High Voltage Connection	
Rated Output (HP)	5			Full Load Torque	14.9 LB-FT
Volts	208-230/460			Start Configuration	direct on line
Full Load Amps	14-13.2/6.6			Breakdown Torque	44.5 LB-FT
R.P.M.	1750			Pull-up Torque	28.7 LB-FT
Hz	60	Phase	3	Locked-rotor Torque	23.8 LB-FT
NEMA Design Code	B	KVA Code	J	Starting Current	34.6 A
Service Factor (S.F.)	1.15			No-load Current	2.99 A
NEMA Nom. Eff.	89.5	Power Factor	79	Line-line Res. @ 25°C	2.63 Ω
Rating - Duty	40C AMB-CONT			Temp. Rise @ Rated Load	54°C
S.F. Amps				Temp. Rise @ S.F. Load	67°C
				Locked-rotor Power Factor	40.5
				Rotor inertia	0.391 LB-FT <sup>2</sup>

Load Characteristics 460 V, 60 Hz, 5 HP

% of Rated Load	25	50	75	100	125	150	S.F.
Power Factor	42	65	76	82	85	87	81
Efficiency	84.3	89.2	90.2	90.1	89.3	88.3	89.2
Speed	1790	1781	1770	1760	1748	1735	1743
Line amperes	3.3	4.06	5.09	6.32	7.69	9.19	7.48

Performance Graph at 460V, 60Hz, 5.0HP Typical performance - Not guaranteed values



**AC Induction Motor Performance Data**

Record # 49253 - Typical performance - not guaranteed values

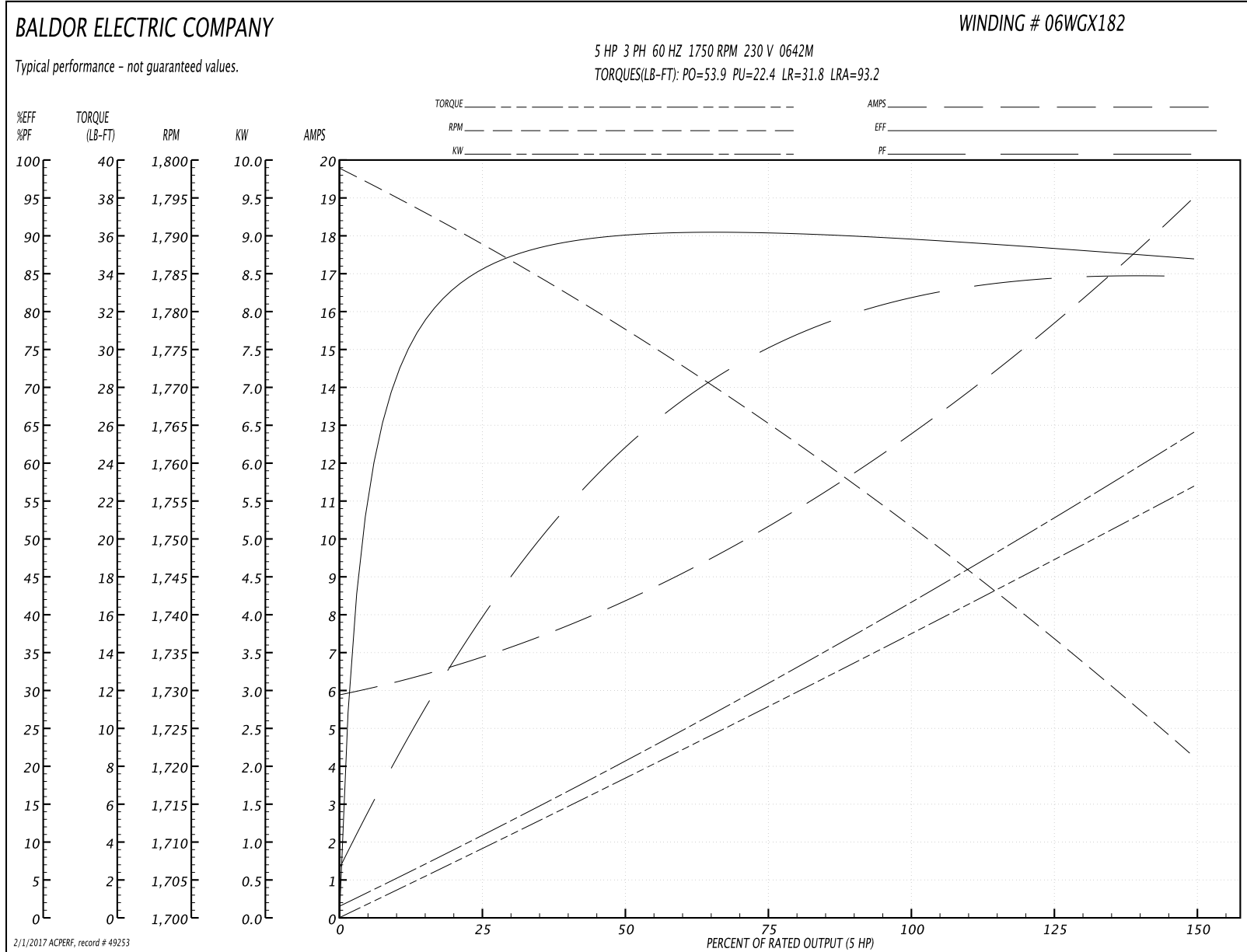
<b>Winding:</b> 06WGX182-R063	<b>Type:</b> 0642M	<b>Enclosure:</b> TEFC
-------------------------------	--------------------	------------------------

Nameplate Data				230 V, 60 Hz: Low Voltage Connection	
Rated Output (HP)	5			Full Load Torque	15 LB-FT
Volts	208-230/460			Start Configuration	direct on line
Full Load Amps	14-13/6.5			Breakdown Torque	53.9 LB-FT
R.P.M.	1750			Pull-up Torque	22.4 LB-FT
Hz	60	Phase	3	Locked-rotor Torque	31.8 LB-FT
NEMA Design Code	B	KVA Code	J	Starting Current	93.2 A
Service Factor (S.F.)	1.15			No-load Current	6.04 A
NEMA Nom. Eff.	89.5	Power Factor	79	Line-line Res. @ 25°C	0.658 Ω
Rating - Duty	40C AMB-CONT			Temp. Rise @ Rated Load	53°C
S.F. Amps				Temp. Rise @ S.F. Load	65°C
				Locked-rotor Power Factor	40.5
				Rotor inertia	0.391 LB-FT <sup>2</sup>

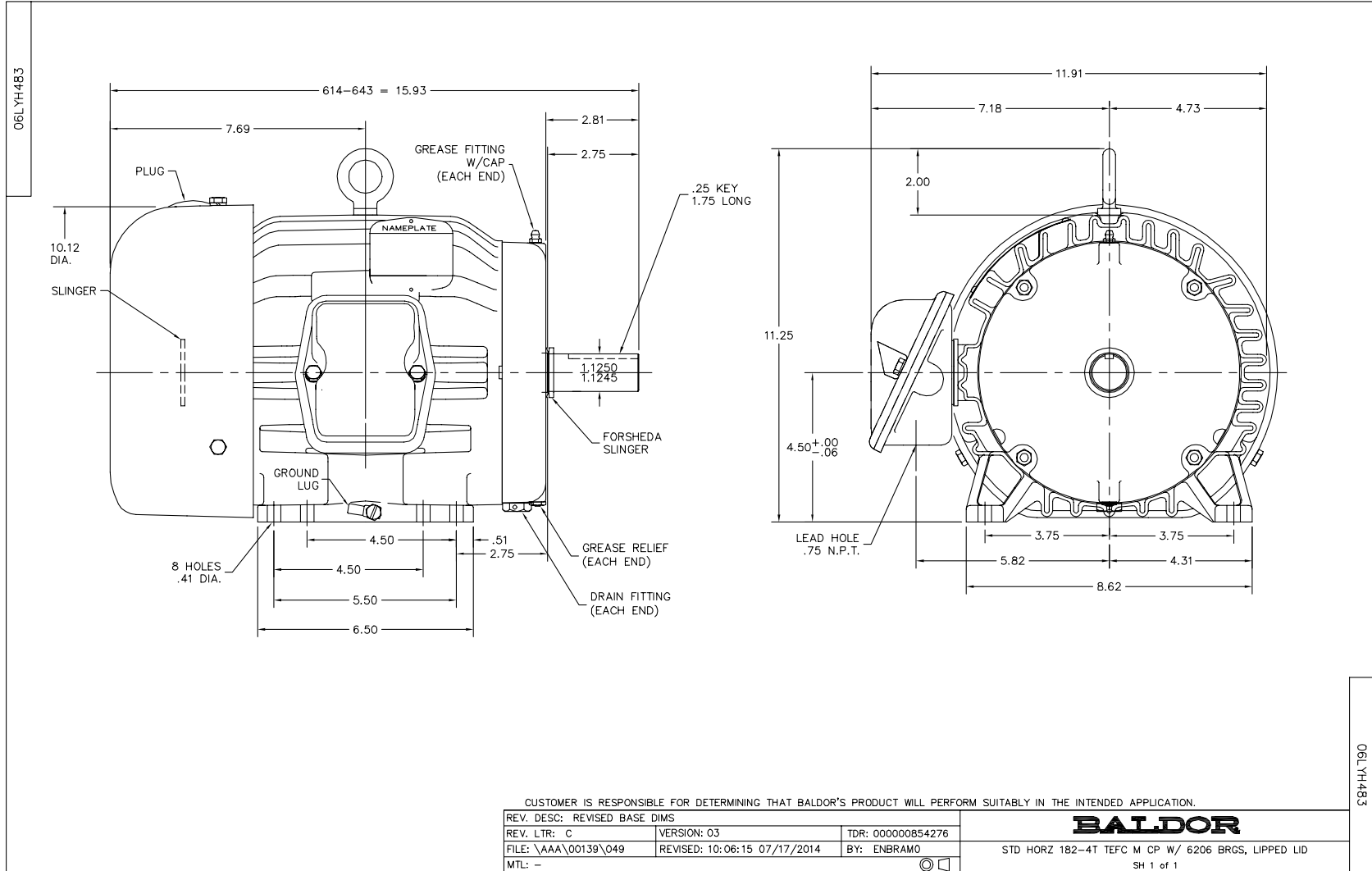
Load Characteristics 230 V, 60 Hz, 5 HP

% of Rated Load	25	50	75	100	125	150	S.F.
Power Factor	41	63	75	81	84	85	81
Efficiency	85.2	89.8	90.4	89.8	88.4	86.9	88.8
Speed	1789	1777	1765	1752	1737	1721	1739
Line amperes	6.7	8.28	10.4	12.9	15.8	18.9	15

Performance Graph at 230V, 60Hz, 5.0HP Typical performance - Not guaranteed values



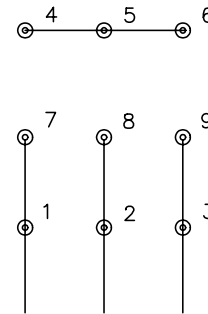




CD0005

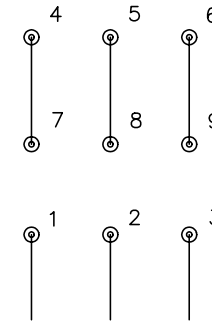


LOW VOLTAGE  
(2Y)



LINE

HIGH VOLTAGE  
(1Y)



LINE

NOTES:

1. INTERCHANGE ANY TWO LINE LEADS TO REVERSE ROTATION.
2. OPTIONAL THERMOSTATS ARE PROVIDED WHEN SPECIFIED.
3. ACTUAL NUMBER OF INTERNAL PARALLEL CIRCUITS MAY BE A MULTIPLE OF THOSE SHOWN ABOVE.
4. LEAD COLORS ARE OPTIONAL. LEADS MUST ALWAYS BE NUMBERED AS SHOWN.

REV. DESC: REVISE TO SHOW OPTIONAL COLORS			
REV. LTR: E	BY: JLP	REVISED: 01/19/99 10:15	TDR: 0171435
9000D		FILE: AAA00005140	MDL: -
		MTL: -	

**BALDOR ELECTRIC Co.**

3PH, DV, 9 LEADS

CD0005