

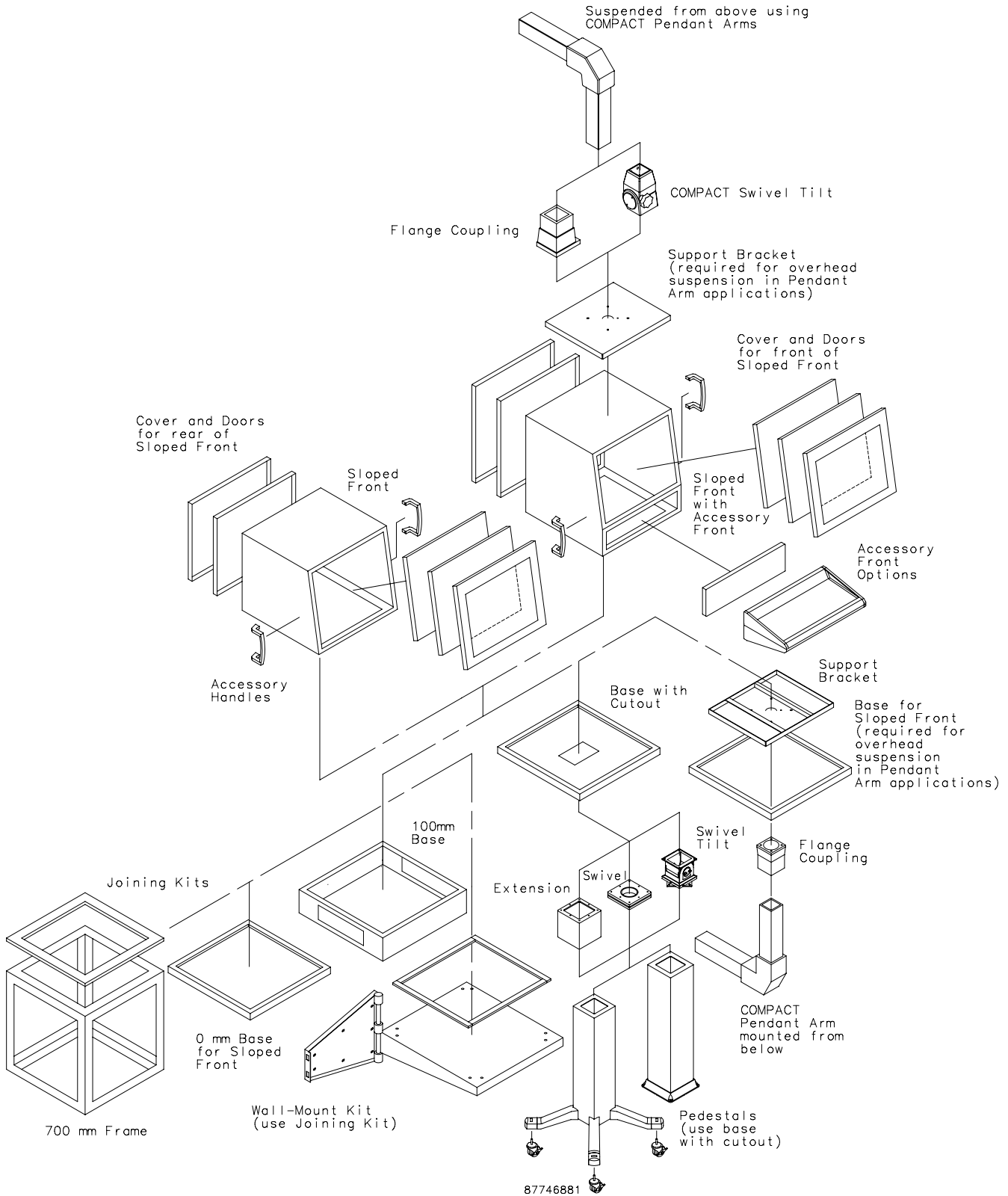
PROLINE SLOPED-FRONT HMI, TYPE 12**INDUSTRY STANDARDS****Painted versions:**

UL 508A Listed; Type 12: File No. E61997 cUL Listed per CSA C22.2 No. 94; Type 12: File No. E61997

NEMA/EEMAC Type 12
IEC 60529, IP55

APPLICATION

A truly modular, build-your-own system for CRT monitors and keyboards, the ProLine Sloped-Front HMI System's foundation is extremely adaptable for nearly any application. Add one or more of the many possible fronts, backs, mounting options, doors and bases to the core frame to build an enclosure that meets your design specifications.



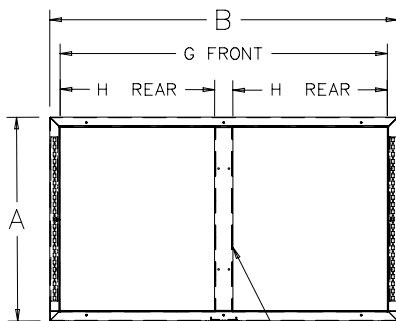
SLOPED FRONT

Enclosure is available in three heights—400, 500 and 700 mm. Full-front opening for door/cover options has a 5-degree slope. Rear opening(s) for door and cover options. Optional ProLine Frame Shelf or ProLine Grid System is recommended to provide a stationary platform for supporting deep equipment. The open bottom is suitable for joining the top to a 700-mm-tall ProLine frame. The bottom of the 600 x 600-mm sizes can be joined through a cutout base to a pedestal or pendant arm system. A support bracket accessory allows the 600 x 600-mm sizes to be suspended from an overhanging pendant arm. Sloped-front enclosures are 14 gauge steel with a RAL 7035 light-gray textured polyester powder paint finish.

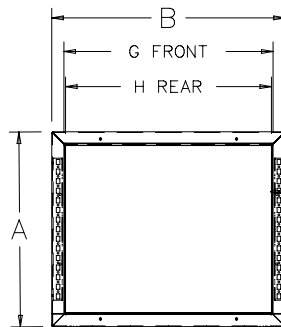


BULLETIN: P9

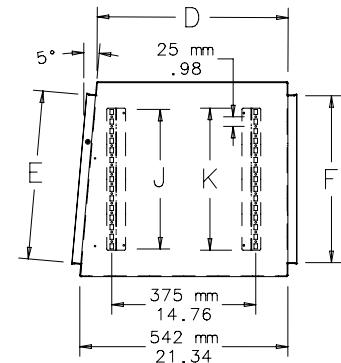
Catalog Number	AxBxC mm/in.	D mm/in.	Nominal Size A x B x C mm/in.	Front Opening E x G in./mm	Rear Opening F x H in./mm	Internal Mounting J in./mm	Internal Mounting K in./mm	Product Weight (lb.)
PST466	400 x 600 x 600	507	400 x 600 x 600	13.36 x 21.11	13.21	225	225	8.86
	15.75 x 23.62 x 23.62	19.96	369 x 536	336 x 564	21.11	8.86		
PST566	500 x 600 x 600	498	500 x 600 x 600	17.31 x 21.11	17.13 x 21.11	12.80	12.80	46.7
	19.69 x 23.62 x 23.62	19.61	440 x 536	435 x 536	325	325		
PST766	700 x 600 x 600	481	700 x 600 x 600	25.22 x 21.11	25.02 x 21.11	20.67	20.67	59.9
	27.56 x 23.62 x 23.62	18.92	641 x 536	636 x 536	525	525		
PST786	700 x 800 x 600	481	700 x 800 x 600	25.22 x 28.98	25.02 x 28.98	20.67	20.67	66.0
	27.56 x 31.50 x 23.62	18.92	640 x 736	636 x 736	525	525		
PST7126	700 x 1200 x 600	481	700 x 1200 x 600	25.22 x 44.73	25.02 x 21.11	20.67	20.67	82.0
	27.56 x 47.24 x 23.62	18.92	641 x 1136	636 x 536	525	525		



1200 mm wide



800 mm wide



87746882

CENTERPOST ON REAR OPENING ONLY

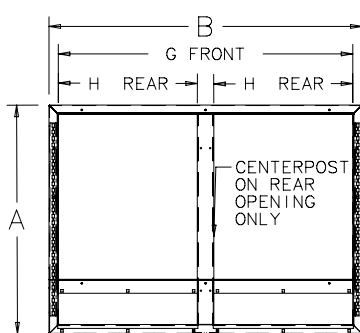
SLOPED FRONT WITH ACCESSORY OPENING

Enclosure is available in two heights: 500 mm and 700 mm. Upper front opening for door/cover options has a 5-degree slope. Lower section is suitable for keyboard or other front options. Rear opening(s) for door and cover options. The internal mounting hole pattern accommodates most ProLine internal accessories. Optional ProLine Frame Shelf or ProLine Grid System provides a stationary platform for supporting deep equipment. The open bottom is suitable for joining the top to a 700-mm ProLine frame. The bottom of the 600 x 600-mm sizes can be joined through a cutout base to a pedestal or pendant arm system. A support bracket accessory allows the 600 x 600-mm size to be suspended from an overhanging pendant arm. Sloped fronts with accessory opening are 14 gauge steel with RAL 7035 textured light-gray polyester powder paint finish.

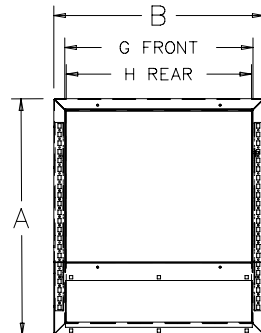


BULLETIN: P9

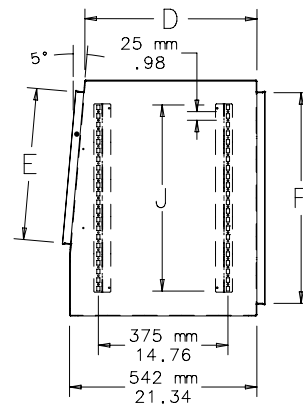
Catalog Number	AxBxC mm/in.	D mm/in.	Nominal Size A x B x C mm/in.	Front Opening E x G mm/in.	Rear Opening F x H mm/in.	Internal Mounting J mm/in.	Internal Mounting K mm/in.	Product Weight (lb.)
PST5A66	500 x 600 x 600	498	500A x 600 x 600	440 x 536	611 x 536	500	500	59.0
	19.69 x 23.62 x 23.62	19.61		17.31 x 21.11	24.04 x 21.11	19.69	19.69	
PST5A86	500 x 800 x 600	498	500A x 800 x 600	440 x 736	611 x 736	500	500	64.0
	19.69 x 31.50 x 23.62	19.61		17.31 x 28.98	24.04 x 28.98	19.69	19.69	
PST5A126	500 x 1200 x 600	498	500A x 1200 x 600	440 x 1136	611 x 536	500	500	86.0
	19.69 x 47.24 x 23.62	19.61		17.31 x 44.73	24.04 x 21.11	19.69	19.69	
PST7A66	700 x 600 x 600	481	700A x 600 x 600	641 x 536	811 x 536	700	700	70.0
	27.56 x 23.62 x 23.62	18.92		25.22 x 21.11	31.91 x 21.11	27.56	27.56	
PST7A86	700 x 800 x 600	481	700A x 800 x 600	641 x 736	811 x 736	700	700	73.0
	27.56 x 31.50 x 23.62	18.92		25.22 x 28.98	31.91 x 28.98	27.56	27.56	
PST7A126	700 x 1200 x 600	481	700A x 1200 x 600	641 x 1136	811 x 536	700	700	111.0
	27.56 x 47.24 x 23.62	18.92		25.22 x 44.73	31.91 x 21.11	27.56	27.56	



1200 mm wide Sloped Top with Accessory Front

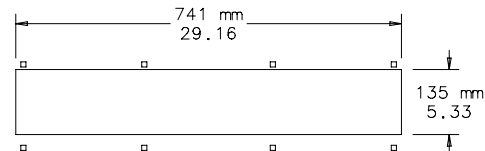
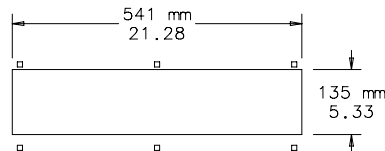


600 mm wide Sloped Top with Accessory Front



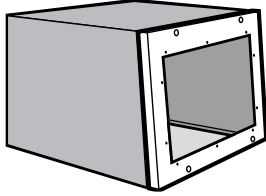
87799045

Accessory Front Opening Dimensions



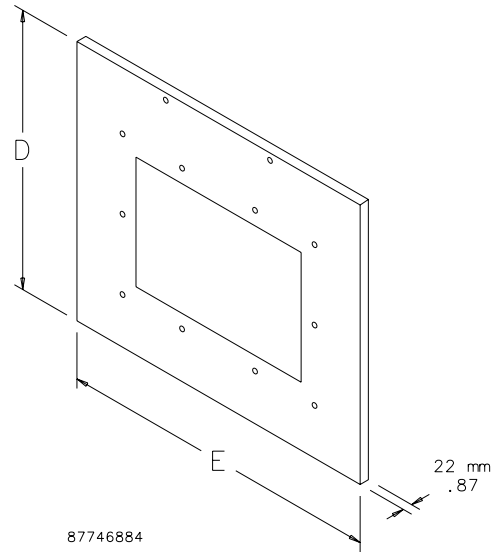
87799046

COVERS WITH HMI CUTOUT FOR UPPER FRONT OF SLOPED FRONTS



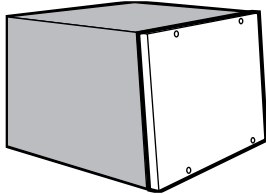
Covers with HMI cutouts are secured to the front opening of a ProLine Sloped Front with semi-flush cover screws along the top and bottom cover edges. Use ProLine Frame Shelf or ProLine Grid Straps and Plates to support human-machine interface. Ground stud and mounting hardware are included. Seamless foam-in-place gasket assures a watertight and dust-tight seal. 16 gauge steel cover finish is RAL 7035 textured light-gray polyester powder paint. Optional tamper-resistant cover screws are available. *nVent HOFFMAN can provide preconfigured covers to meet your specific requirements. Contact your local nVent HOFFMAN sales office or distributor for more information.*

BULLETIN: P9



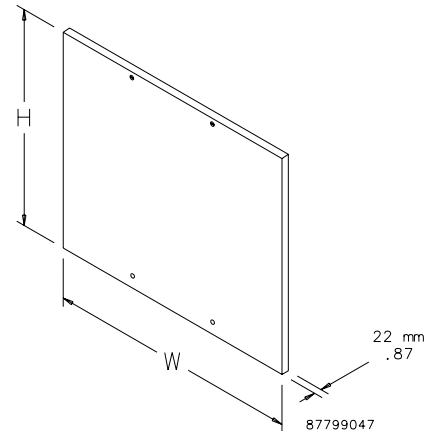
Catalog Number	Manufacturer	Model for Manufacturer	Approx. HMI Weight (lb.)	Approx. HMI Weight (kg)	D x E mm/in.	Fits Sloped front	Product Weight (lb.)
PCSK56F6	Allen-Bradley	PanelView 1200e/1400e Keypad	46	20.9	504 x 592 19.86 x 23.30	500 x 600 and 500A x 600	13.0

COVERS FOR UPPER FRONT OF SLOPED FRONTS



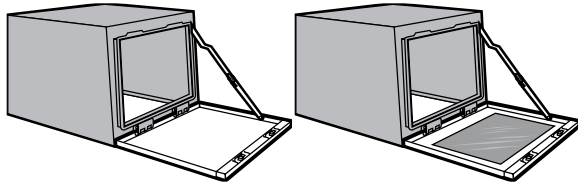
Solid 16 gauge steel covers are secured to the front opening of a ProLine Sloped Front with semi-flush cover screws along the top and bottom cover edges. Ground stud and mounting hardware are included. Seamless foam-in-place gasket assures a watertight and dust-tight seal. Covers are 16 gauge steel with a RAL 7035 light-gray textured polyester powder paint finish. Optional tamper-resistant cover screws are available.

BULLETIN: P9



Catalog Number	Cover Size H x W (mm)	Cover Size H x W (in.)	Product Weight (lb.)
PCS46F	406 x 592	15.98 x 23.30	13.0
PCS56F	506 x 592	19.93 x 23.30	14.0
PCS58F	506 x 792	19.93 x 31.17	17.0
PCS512F	507 x 1192	19.93 x 46.92	25.0
PCS76F	707 x 592	27.84 x 23.30	15.5
PCS78F	707 x 792	27.84 x 31.17	20.5
PCS712F	707 x 1192	27.84 x 46.92	30.0

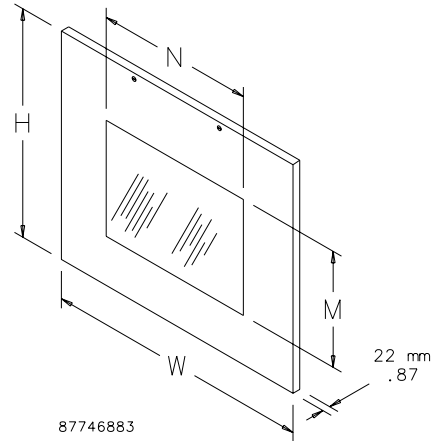
DOORS FOR UPPER FRONT OF PROLINE SLOPED FRONTS



Solid 16 gauge steel doors are available with or without windows. Doors are hinged at lower edge and have quarter-turn latches. A stop arm assembly holds the door at 95 degrees (horizontal) from its closed position. Standard latch and insert options are available. Ground stud and mounting hardware are included. Seamless polyurethane foam-in-place gasket assures watertight and dust-tight seal.

Window doors feature a maximum size .25-in.-thick polycarbonate window with a smoke-gray tint. Window is field-replaceable. Finish is RAL 7035 textured light-gray polyester powder paint.

BULLETIN: P9



Solid Doors for Upper Front

Catalog Number	Door Size H x W (mm)	Door Size H x W (in.)	Product Weight (lb.)
PDS46F	404 x 592	15.91 x 23.30	14.0
PDS56F	504 x 592	19.86 x 23.30	15.0
PDS58F	504 x 792	19.86 x 31.17	18.0
PDS512F	504 x 1192	19.86 x 46.92	26.0
PDS76F	705 x 592	27.77 x 23.30	16.5
PDS78F	705 x 792	27.77 x 31.17	21.5
PDS712F	705 x 1192	27.77 x 46.92	31.0

Window Doors for Upper Front

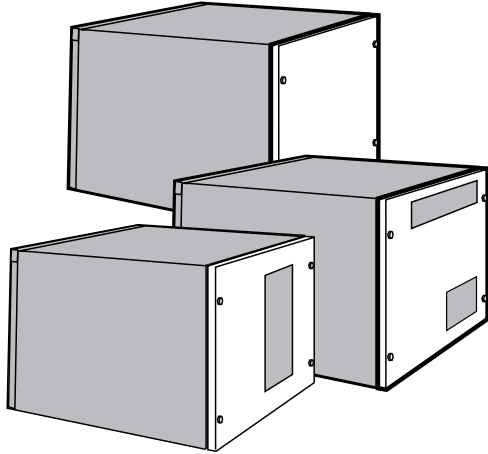
Catalog Number	Door Size H x W (mm)	Door Size H x W (in.)	Window Size M x N (mm)	Window Size M x N (in.)	Product Weight (lb.)
PDW46F	404 x 592	15.91 x 23.30	254 x 432	10.00 x 17.00	14.0
PDW56F	504 x 592	19.86 x 23.30	362 x 432	14.25 x 17.00	15.0
PDW56W16	504 x 592	19.86 x 23.30	254 x 318	10.00 x 12.50	15.0
PDW58F	504 x 792	19.86 x 31.17	362 x 635	14.25 x 25.00	18.0
PDW76F	705 x 592	27.77 x 23.30	559 x 432	22.00 x 17.00	16.5
PDW76W21	705 x 592	27.77 x 23.30	330 x 432	13.00 x 17.00	16.5

UPPER FRONT DOOR ACCESSORIES

These accessories provide a variety of latch configurations for ProLine sloped front doors.

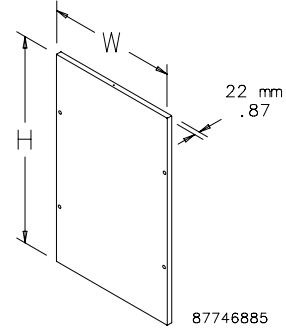
BULLETIN: A54Y, P9

Catalog Number	Description
LLKSM7	7-mm-square key insert
LLKSM8	8-mm-square key insert
LLKDBM3	Double-bit key insert with 3mm pin
LLKDB	Daimler Benz key insert
LLKSS	Slotted key insert
LLKWK	One wing knob latch and two keys
PSTLO	One flush key lock and two keys

COVERS FOR REAR OF SLOPED FRONTS


ProLine Frame Shelf or ProLine Grid Straps to support the operator interface. Seamless foam-in-place gasket assures watertight and dust-tight seal. Ground stud and mounting hardware are included. Optional tamper-resistant screws are available. Covers are 16 gauge steel finished with RAL 7035 textured light-gray polyester powder paint.

BULLETIN: P9



Cover fits rear opening of ProLine Sloped Fronts and is secured with semi-flush cover screws along right and left cover edges. Use

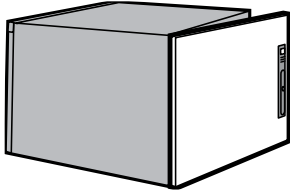
Solid Covers

Catalog Number	Cover Size H x W (mm)	Cover Size H x W (in.)	Product Weight (lb.)
PCS46R	405 x 596	15.96 x 23.47	13.0
PCS56R	506 x 596	19.92 x 23.47	14.0
PCS76R	596 x 706	23.47 x 27.79	17.0
PCS78R	706 x 796	27.79 x 31.35	20.5
PCS5A6R	679 x 597	26.75 x 23.51	15.0
PCS5A8R	679 x 796	26.75 x 31.35	19.0
PCS7A6R	879 x 596	34.62 x 23.47	18.0
PCS7A8R	879 x 796	34.62 x 31.35	24.0

Covers with Cutouts for Hoffman Side Mount 13 Series Air Conditioner

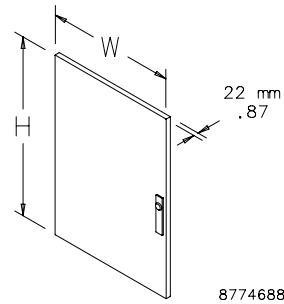
Catalog Number	Cover Size H x W (mm)	Cover Size H x W (in.)	Product Weight (lb.)
PCSK7A6ACR	879 x 596	34.62 x 23.47	18.0

DOORS FOR REAR OF PROLINE SLOPED TOPS



Rear doors are side-hinged. The hinges are hidden and provide 130-degree door swing. Optional ProLine 180-Degree Hinge Kit is available (see ProLine Solid Rear Door Accessories in this section). Doors can be hinged from left or right. Door includes two-point latching with a flush slotted quarter-turn insert. Standard ProLine handle and insert options are available for retrofit (see ProLine Solid Rear Door Accessories in this section). Use ProLine Frame Shelf or ProLine Grid Straps to support the operator interface. Ground stud and mounting hardware are included. Seamless foam-in-place gasket assures a watertight and dust-tight seal. Covers are 16 gauge steel finished with RAL 7035 textured light-gray polyester powder paint.

BULLETIN: P9



87746886

Catalog Number	Door Size H x W (in.)	Product Weight (lb.)
PDS46R	15.96 x 23.30	10.0
PDS56R	19.91 x 23.30	12.0
PDS76STR	27.79 x 23.30	15.0
PDS78STR	27.79 x 31.17	19.5
PDS5A6R	26.75 x 23.30	14.5
PDS5A8R	26.75 x 31.17	19.0
PDS7A6R	34.62 x 23.30	18.0
PDS7A8R	34.62 x 31.17	24.0

SOLID REAR DOOR ACCESSORIES

Accessories listed here are designed for use with ProLine Sloped Front Rear Doors.

See *ProLine Accessories in the Modular Enclosure Systems chapter*.

BULLETIN: A80DP, P20

Key Inserts

Catalog Number	Description
PKOTM7	7-mm triangle
PKOTM8	8-mm triangle
PKOTM65	CNOMO
PKOSM7	7-mm square
PKOSM8	8-mm square
PKOGBK3	Double-bit with 3mm pin

Flush Handle

Catalog Number	Description
PSHKBL	One handle and two keys

Data Pockets

Catalog Number	Description
ADP1	Small data pocket
ADP2	Large data pocket

PROLINE SLOPED-FRONT HMI ENCLOSURE SYSTEM SELECTION MATRIX: FRONT AND REAR OPTIONS

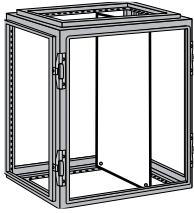
			FRONT OPTIONS					
SLOPED FRONT			SOLID COVER	SOLID DOOR	WINDOW DOOR	COVER WITH HMI CUTOUT		
A	B	C						
400	600	600	PCS46F	PDS46F	PDW46F			
500	600	600	PCS56F	PDS56F	PDW56F OR PDW56W16	PCSK56F6		
700	600	600	PCS76F	PDS76F	PDW76F OR PDW76W21	PCSK76F6		
700	800	600	PCS78F	PDS78F				
			FRONT OPTIONS					
1200-MM SLOPED FRONT			SOLID COVER	SOLID DOOR	WINDOW DOOR	COVER WITH HMI CUTOUT		
A	B	C						
700	1200	600	PCS712F	PDS712F				
			FRONT OPTIONS					
SLOPED FRONT WITH ACCY. FRONT OPENING			SOLID COVER	SOLID DOOR	WINDOW DOOR	COVER WITH HMI CUTOUT		
A	B	C						
500A	600	600	PCS56F	PDS56F	PDW56F OR PDW56W16			
500A	800	600	PCS58F	PDS58F	PDWS58F	PCSK56F6		
700A	600	600	PCS76F	PDS76F	PDW76F OR PDW76W21	PCSK76F6		
700A	800	600	PCS78F	PDS78F				
			FRONT OPTIONS					
1200-MM SLOPED FRONT WITH ACCY. FRONT OPENING			SOLID COVER	SOLID DOOR	WINDOW DOOR	COVER WITH HMI CUTOUT		
A	B	C						
500A	1200	600	PCS512F	PDS512F				
700A	1200	600	PCS712F	PDS712F				

SELECTION MATRIX: REAR OPTIONS

REAR OPTIONS						
SOLID COVER	COVER WITH AIR CONDITIONER CUTOUT ^a	DOOR WITH SIDE HINGE	SLOPED FRONT			
			A	B	C	
PCS46R		PDS46R ^b	400	600	600	
PCS56R		PDS56R ^b	500	600	600	
PCS76R	PCSK7A6ACR	PDS76STR ^b	700	600	600	
PCS78R		PDS78STR ^b	700	800	600	
REAR OPTIONS						
SOLID COVER	COVER WITH AIR CONDITIONER CUTOUT ^a	DOOR WITH SIDE HINGE	1200-MM SLOPED FRONT			
			A	B	C	
PCS76R	PCSK7A6ACR	PDS76STR ^b	700	1200	600	
REAR OPTIONS						
SOLID COVER	COVER WITH AIR CONDITIONER CUTOUT ^a	DOOR WITH SIDE HINGE	SLOPED FRONT WITH ACCY. FRONT OPENING			
			A	B	C	
PCS5A6R		PDS5A6R ^b	500A	600	600	
PCS5A8R		PDS5A8R ^b	500A	800	600	
PCS7A6R	PCSK7A6ACR	PDS7A6R ^b	700A	600	600	
PCS7A8R		PDS7A8R ^b	700A	800	600	
REAR OPTIONS						
SOLID COVER	COVER WITH AIR CONDITIONER CUTOUT ^a	DOOR WITH SIDE HINGE	1200-MM SLOPED FRONT WITH ACCY. FRONT OPENING			
			A	B	C	
PCS5A6R		PDS5A6R ^b	500A	1200	600	
PCS7A6R	PCSK7A6ACR	PDS7A6R ^b	700A	1200	600	

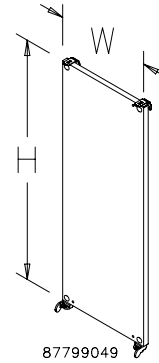
^a For nVent HOFFMAN Side-Mount 13 Series air conditioners.

^b Door hinged on side. Two-point latching with slotted insert. Other handle options are available. See Accessories for Sloped Front HMI Enclosures in this section.



Subpanels are 12 gauge steel, have flanges on all sides and are painted white (conductive panels are plated). They can be mounted in ProLine frame bases and HMI sloped fronts at any depth in 25-mm increments using optional grid straps. All mounting hardware is included.

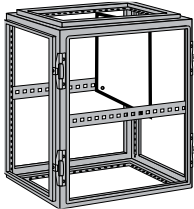
BULLETIN: P20



87799049

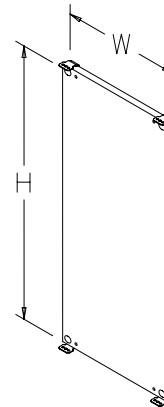
Catalog Number	Conductive Panel	H (mm)	H (in.)	W (mm)	W (in.)	Fits
PPF76	PPF76G	585	23.03	530	20.87	500A x 600 and 700 x 600
PPF78	PPF78G	585	23.03	730	28.74	500A x 800 and 700 x 800
PPF712	—	585	23.03	1130	44.49	500A x 1200 and 700 x 1200

PARTIAL SUBPANELS



Partial Subpanels are 12 gauge steel, have flanges on all sides and are painted white (conductive panels are plated). They can be positioned vertically in .88-in. increments and can also be positioned in ProLine frame bases and HMI sloped fronts at 25-mm increments using optional grid straps. All mounting hardware is included.

BULLETIN: P20



87746888

Catalog Number	Conductive Panel	H (mm)	H (in.)	W (mm)	W (in.)	Fits
PPP46	PPP46G	360	14.17	530	20.87	All 600-mm-wide HMIs
PPP48	PPP48G	360	14.17	730	28.74	All 800-mm-wide HMIs
PPP412	PPP412G	360	14.17	1130	44.49	All 1200-mm-wide HMIs

PROLINE GROUNDING KIT

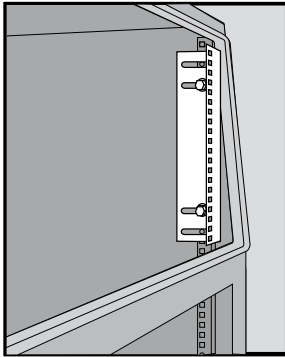


The Grounding Kit allows a ProLine or ProLine G2 enclosure to be grounded to VDE specifications. Includes six 12-gauge wires 411 mm (16.19) long with ring terminations and M6 mounting hardware.

BULLETIN: P20

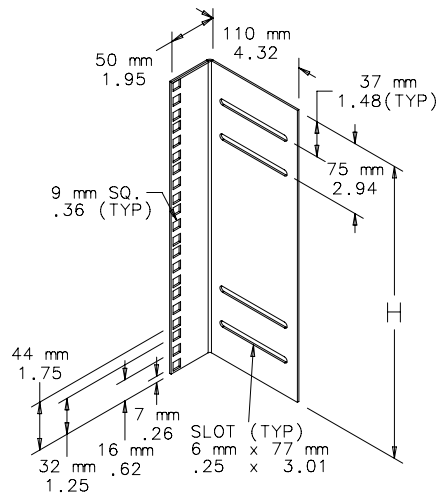
Catalog Number	Wire Size	Length Between Ring Terminals mm/in.	Ring Terminal Hole Diameter mm/in.
PGK	12 ga.	411 16.19	7 .29

RACK ANGLES FOR SLOPED FRONTS



Symmetrical Rack Angles have through-holes in mounting surfaces for mounting rack equipment. Angles are 14 gauge plated steel. Rack Angles with through-holes accommodate either English or metric cage nuts. Rack Angles are furnished in pairs and comply with ANSI/EIA RS310 rack mounting standards.

BULLETIN: P9



87746887

Catalog Number	Rack Units	H (mm)	H (in.)	Description	Product Weight (lb.)
PRA5TH	5	223	8.77	General Purpose Short Section	2.5
PRA7TH	7	312	12.27	Fits Front a back of 400-mm-high HMI	3.5
PRA9TH	9	401	15.77	Fits front of 500/500A and back of 700/500A	4.5
PRA13TH	13	578	22.77	Fits front of 500/500A and back of 700/500A	6.5
PRA17TH	17	756	29.77	Fits back of 700A	8.0

One unit = 1.75 inches (44.4mm).

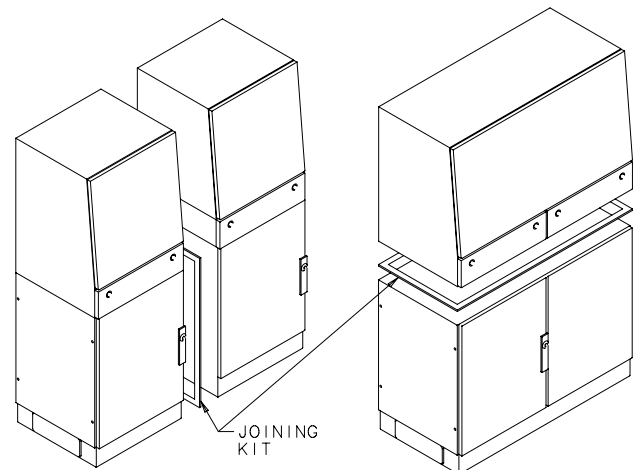
JOINING KITS



Joining Kits permit joining two 700-mm frames while maintaining an environmental seal. Joining Kit for Side-to-Side Applications (PJ2FW7) fits on either side of the frame. Top-to-frame Joining Kits permit joining two 700-mm frames while maintaining an environmental seal. Joining Kit for Side-to-Side Applications (PJ2FW7) fits on either side of the frame, allowing sloped fronts to be attached to 700-mm ProLine frames or to wall-mount kit. Kits available for one sloped front and one frame or one 1200-mm wide sloped front on two joined frames. Kits include gasket and mounting hardware.

BULLETIN: P9

Catalog Number	Description
PJ2FW7	Joins frames side-to-side under HMI Sloped fronts
PJSTF6	Joins HMI sloped front to 600 x 600-mm frame
PJSTF8	Joins HMI sloped front to 800 x 600-mm frame
PJSTF12	Joins HMI sloped front to 1200 x 600-mm frame



87799117

PROLINE SLOPED-FRONT HMI ENCLOSURE SYSTEM SELECTION MATRIX: INTERNAL COMPONENTS

INTERNAL COMPONENTS FOR SLOPED-FRONT FRAME BASE

Sloped Front Frame Bases	FULL SUBPANEL (See Modular Enclosures)			PARTIAL SUBPANEL (See Modular Enclosures)			SWING-OUT PANEL KIT (See Modular Enclosures)		GRID STRAP ONE ROW (See Modular Enclosures)			GRID STRAP THREE ROW (See Modular Enclosures)			GROUNDING BAR SYSTEM (See Modular Enclosures)		CENTER UPRIGHT (See Modular Enclosures)		
	PDF76 / PPF76G	PDF78 / PPF78G	PDF712 / PPF712G	PDP46 / PPP46G	PDP468 / PPP48G	PDP4612 / PPP412G	PSP76	PSP78	PGH1S6	PGH1S7	PGH1S9	PGH1S13	PGH3S6	PGH3S7	PGH3S9	PGH3S12	PGS2K	PGS4K	PCU7
	PF766	•			•			•		•			•	•			•	•	
PF786		•			•			•		•		•		•		•	•		
PF7126			•			•					•	•			•	•	•		•

INTERNAL COMPONENTS FOR SLOPED-FRONT FRAME BASE

SWING-OUT RACK FRAME (See Modular Enclosures)		RACK ANGLES (See Modular Enclosures)		FRAME SHELF (See Modular Enclosures)		FRAME REDUCING BRACKETS (See Modular Enclosures)		
PSF76	PSF78	PRA197TH / TP	PRA247TH / TP	PFSH66	PFSH86	PRB50		
.		
								SLOPED FRONT FRAME BASES
								PF766
								PF786
								PF7126

ACCESSORIES FOR SWING-OUT RACK FRAME INCLUDE:

Guides	PSFG
Rack Panels	A19RP___(23 models)
Screw Package	AS1032 or PSM5
Clip Nut Packages	AN1032 or PSM5

ACCESSORIES FOR RACK ANGLES INCLUDE:

Drawers	A19DR2U and A19DR4U
Drawer Writing Surface	A19WSDR
Guides	PSFG, AG1U5 and AG1U6
Slides	A16SL2U
Fixed Shelf	A19SH5 and A19SH6
Pull-Out Shelf	A19SHP6
Rack Panels	A19RP___ (23 models)
Screw Packages	AS1032 or PSM5
Clip Nut Packages	AN1032 or PNM5

ACCESSORY FRONT OPTIONS



A variety of keyboard compartments and shelves, control compartments and writing surfaces is available in steel finished with RAL 7035 light-gray polyester powder paint or Type 304 stainless steel. Each one is designed to fit into the accessory front opening of the ProLine HMI Sloped Front. An access cover is available for applications not requiring a keyboard or controls. An integrated elastomer keyboard/mouse combination is available on some models of the keyboard shelf accessory. The keyboard has 101 keys. Supplied cables are compatible with USB connections. *See Modular Enclosure Systems chapter for keyboard accessory dimensions.*

BULLETIN: P20, P20PC

Access Covers

Catalog Number	Fits	Product Weight (lb.)
PCS6	600	7.3
PCS8	800	7.9

Console Compartments

Catalog Number	Fits	Product Weight (lb.)
PCC6	600	30.0
PCC8	800	35.0

PCDS6SS - See previous table for information on this compartment.

20-Degree Control Compartments

Catalog Number	Fits	Product Weight (lb.)
PC20A6	600	21.0
PC20A8	800	26.0

Keyboard Compartments

Catalog Number	Fits	Product Weight (lb.)
PKBC6R	600	42.0
PKBC8R	800	48.0

Keyboard Shelves

Catalog Number	Fits	Product Weight (lb.)
PKBS6	600	20.0
PKBS8	800	24.0

Keyboard Shelves with Integrated Keyboard/Mouse

Catalog Number	Fits	Product Weight (lb.)
PEKBMC6	600	21.0

Notes