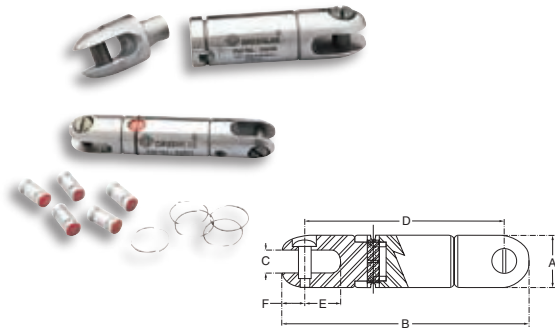


## Breakaway Swivels



- Acts as a mechanical fuse, breaking away at a preset load to prevent damage to expensive cable.
- Breakaway pins can be replaced to change breakaway values.

### BREAKAWAY PIN KITS

CAT. NO.	UPC NO.	BREAKING POINT LBS.	BREAKING POINT kN	COLOR CODE	USE WITH
39294	39294	200 lbs.	0.9 kN	WHITE	39290 5/8" Swivel
39295	39295	400 lbs.	1.8 kN	YELLOW	
39296	39296	600 lbs.	2.7 kN	ORANGE	
39297	39297	675 lbs.	3.0 kN	BLACK	39298 7/8" Swivel
39302	39302	200 lbs.	0.9 kN	WHITE	
39303	39303	400 lbs.	1.8 kN	YELLOW	
39304	39304	600 lbs.	2.7 kN	ORANGE	
39306	39306	800 lbs.	3.6 kN	GREY	
39308	39308	1000 lbs.	4.4 kN	RED	

### BREAKAWAY SWIVEL BODY ONLY

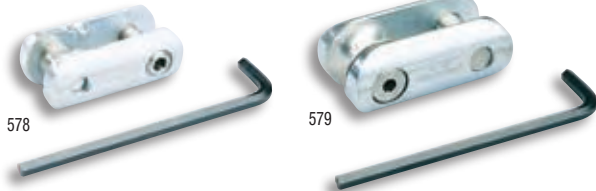
CAT. NO.	UPC NO.	A		B		C		D		E		F	
		INCH	mm	INCH	mm	INCH	mm	INCH	mm	INCH	mm	INCH	mm
39290	39290	5/8	15.9	3-7/32	81.8	9/32	7.1	2-23/32	69.1	7/16	11.1	1/4	6.4
39298	39298	7/8	22.2	4-7/32	107.2	3/8	9.5	3-11/32	84.9	17/32	13.5	5/16	7.9

• Pins sold in bags of 10 only. • Breakaway values are ±15%.

## Rope Clevis

For forged eye grips

For forged eye grips



578

579

For flexible eye grips



678

- Removable bolt and rope sheave.
- Removable grip eye bolt.
- Select the clevis with a rating that meets or exceeds the cable puller's maximum pulling force.
- Removable sheave for rope eye.

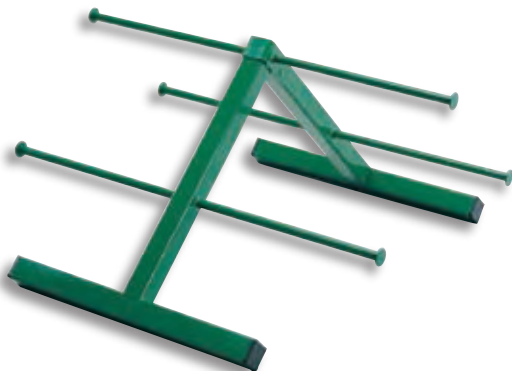
### CAT. NO. UPC NO. DESCRIPTION

578	31910	Rope Clevis
579	31905	Rope Clevis
678	19524	Rope Clevis

### SPECIFICATIONS

	Maximum Rated Capacity	Weight	Length	Width	Inside Diameter
578	6,500 lbs. (28.9 kN)	0.9 lbs. (408 g)	3.0" (76 mm)	1.406" (36 mm)	1.25" (32 mm)
579	10,000 lbs. (44.4 kN)	1.3 lbs. (589 g)	3.5" (89 mm)	1.84" (47 mm)	1.5" (38 mm)
678	6,500 lbs. (28.9 kN)	1.3 lbs. (589 g)	3.5" (89 mm)	1.75" (44 mm)	0.94" (24 mm)

## Folding Hand Caddy



- Holds up to 6 spools of #10 wire.
- Folds down to 2-1/2" (63.5 mm) for easy storage.
- Pinless design eliminates loose parts.

### CAT. NO. UPC NO. DESCRIPTION

9501	01202	Folding Hand Caddy
------	-------	--------------------

### SPECIFICATIONS

Size	10" (254 mm) high x 18-1/2" (470 mm) wide
Capacity	Six 500' (152.4 m) spools of #10 AWG Maximum Spool Diameter: 7.5" (190 mm) Maximum Spool Diameter (top spindle, with empty bottom spindle): 12.5" (317 mm) Maximum Spool Width: 8.5" (215 mm)
Weight	6 lbs. (2.7 kg)