

BALDOR® • ***RELIANCE***

Product Information Packet

FDL3731M

5HP,1740RPM,1PH,60HZ,215,3730LC,TEFC,F1

Part Detail							
Revision:	F	Status:	PRD/A	Change #:		Proprietary:	No
Type:	AC	Prod. Type:	3730LC	Elec. Spec:	37WGT880	CD Diagram:	CD0152
Enclosure:	TEFC	Mfg Plant:		Mech. Spec:	37N373	Layout:	37LYN373
Frame:	215	Mounting:	F1	Poles:	04	Created Date:	12-11-2013
Base:	RG	Rotation:	R	Insulation:	F	Eff. Date:	09-14-2015
Leads:	2#12 A PH,3#14 B&J					Replaced By:	
Literature:		Elec. Diagram:					

Nameplate NP1280L											
CAT.NO.	FDL3731M										
SPEC.	37N373T880G1										
HP	5										
VOLTS	230										
AMP	20.5										
RPM	1740										
FRAME	215				HZ	60		PH	1		
SER.F.	1.00			CODE	J		DES	L		CL	F
NEMA-NOM-EFF	84			PF	93						
RATING	40C AMB-CONT										
CC								USABLE AT 208V			
DE	6307				ODE	6206					
ENCL	TEFC			SN							

AC Induction Motor Performance Data

Record # 18817 - Typical performance - not guaranteed values

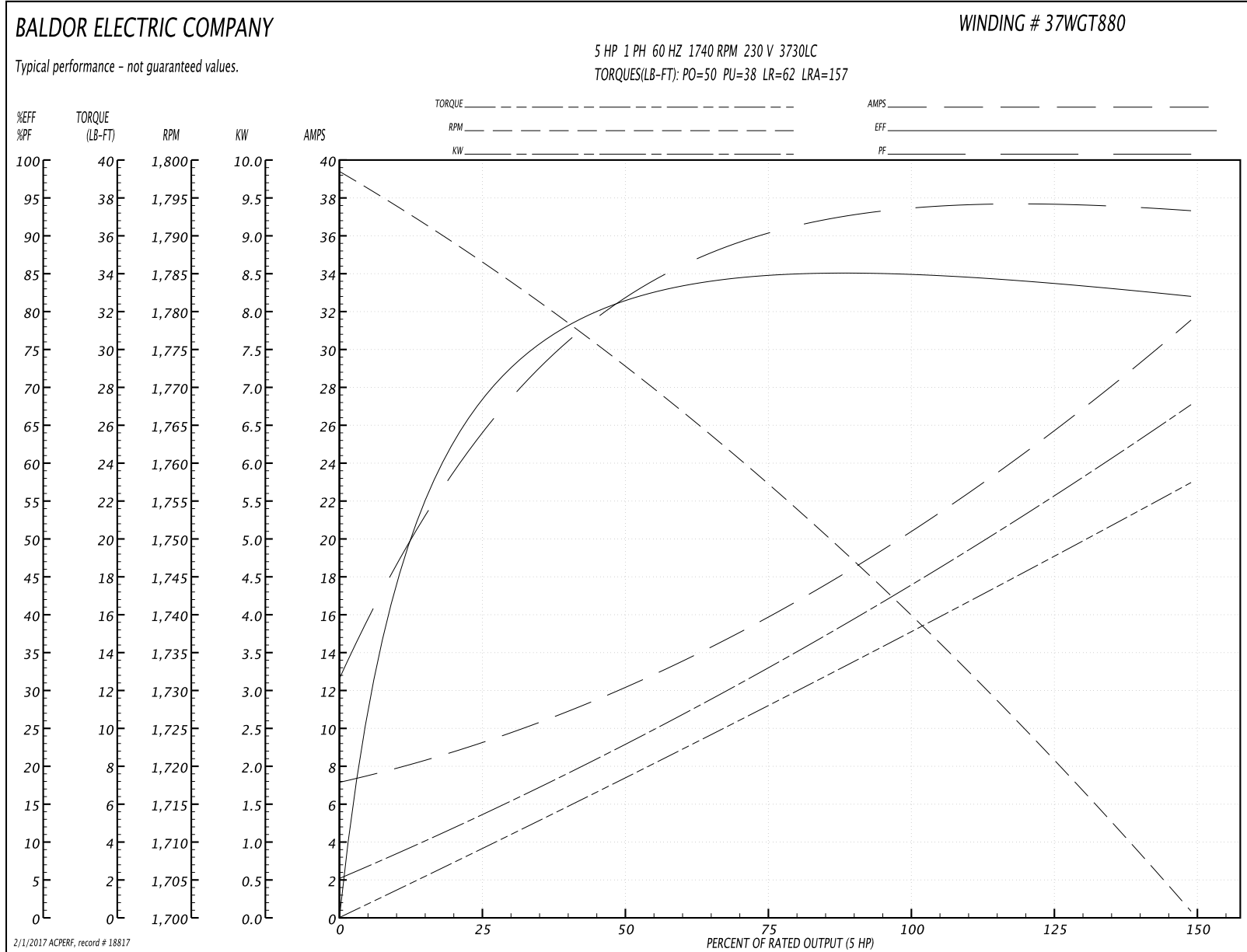
Winding: 37WGT880-R001	Type: 3730LC	Enclosure: TEFC
-------------------------------	---------------------	------------------------

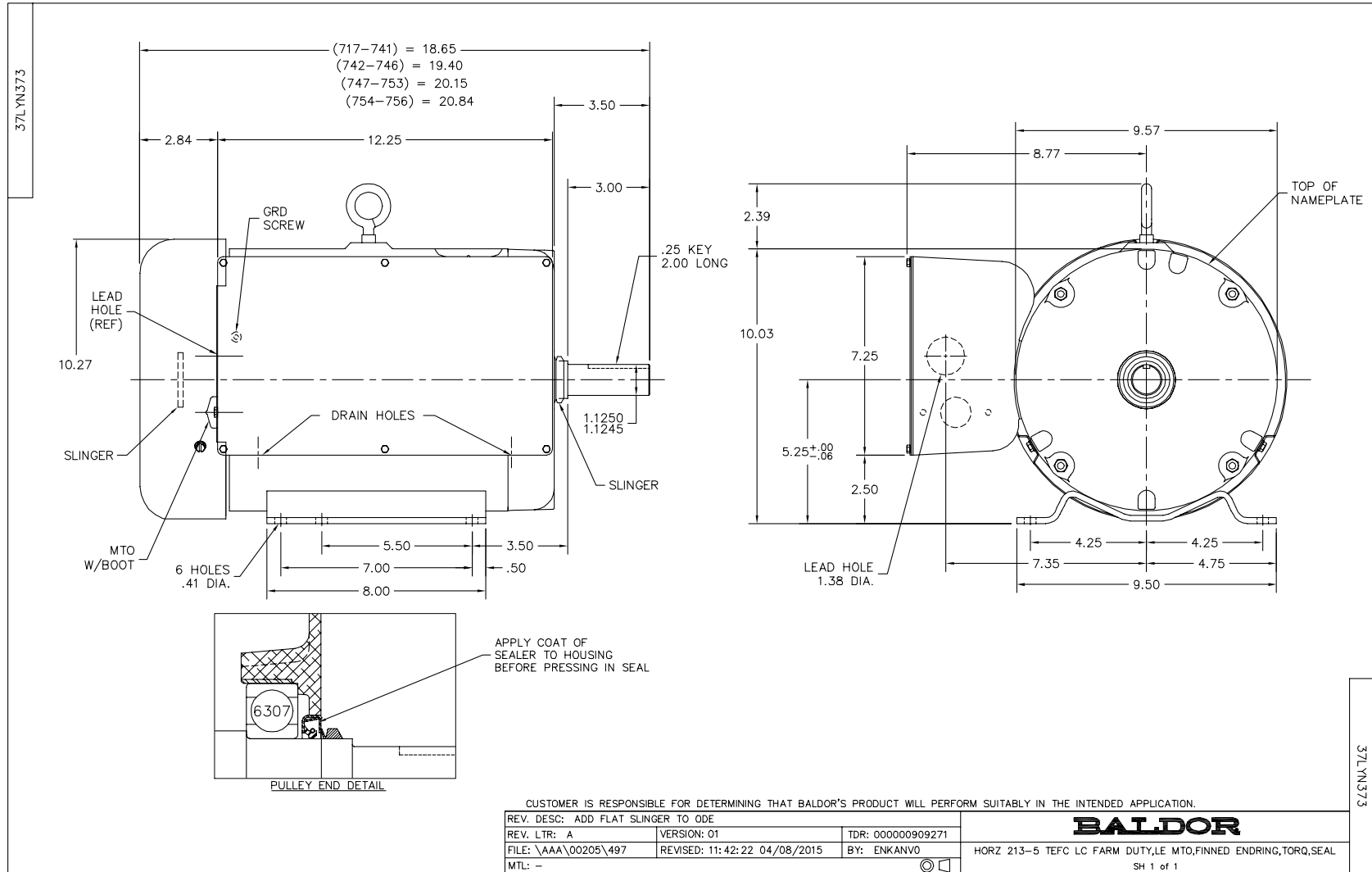
Nameplate Data				230 V, 60 Hz: Single Voltage Motor	
Rated Output (HP)	5			Full Load Torque	15.1 LB-FT
Volts	230			Start Configuration	direct on line
Full Load Amps	20.5			Breakdown Torque	50 LB-FT
R.P.M.	1740			Pull-up Torque	38 LB-FT
Hz	60	Phase	1	Locked-rotor Torque	62 LB-FT
NEMA Design Code	L	KVA Code	J	Starting Current	157 A
Service Factor (S.F.)	1			No-load Current	7.48 A
NEMA Nom. Eff.	84	Power Factor	93	Line-line Res. @ 25°C	0.308 Ω A Ph 0.966 Ω B Ph
Rating - Duty	40C AMB-CONT			Temp. Rise @ Rated Load	65°C

Load Characteristics 230 V, 60 Hz, 5 HP

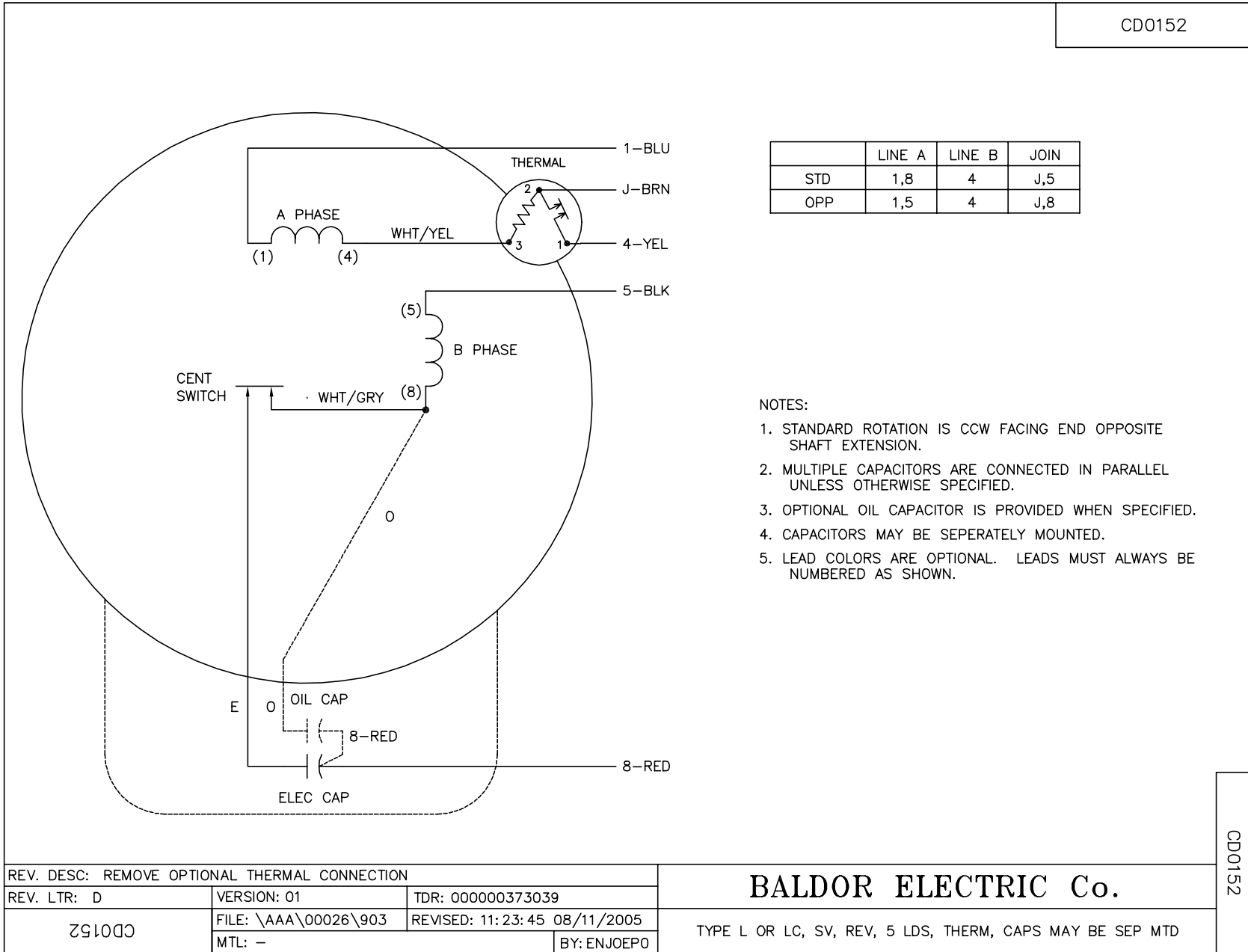
% of Rated Load	25	50	75	100	125	150
Power Factor	67	84	89	92	94	94
Efficiency	67.8	81.2	84.8	84.9	83.9	82
Speed	1786	1773	1757	1740	1722	1700
Line amperes	8.77	12	15.9	20.7	25.8	31.4

Performance Graph at 230V, 60Hz, 5.0HP Typical performance - Not guaranteed values





CD0152



CD0152

REV. DESC: REMOVE OPTIONAL THERMAL CONNECTION		
REV. LTR: D	VERSION: 01	TDR: 000000373039
ZS1000	FILE: \AAA\00026\903	REVISED: 11:23:45 08/11/2005
	MTL: -	BY: ENJOEPO

BALDOR ELECTRIC Co.

TYPE L OR LC, SV, REV, 5 LDS, THERM, CAPS MAY BE SEP MTD