



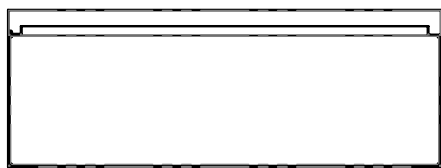
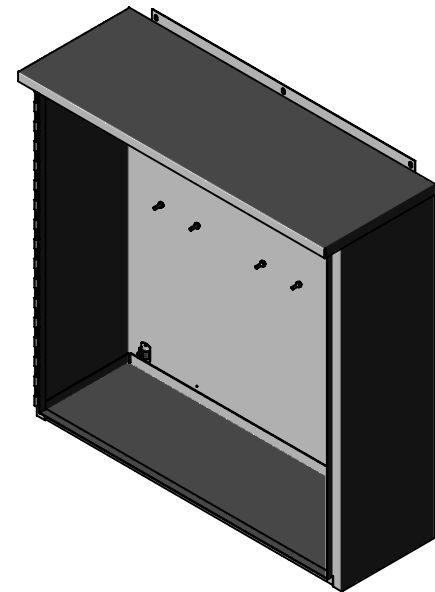
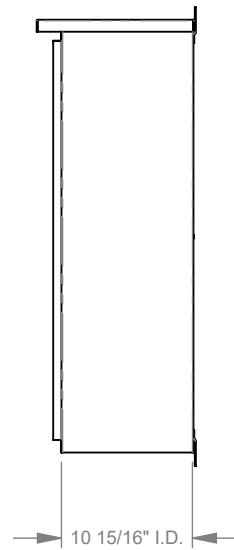
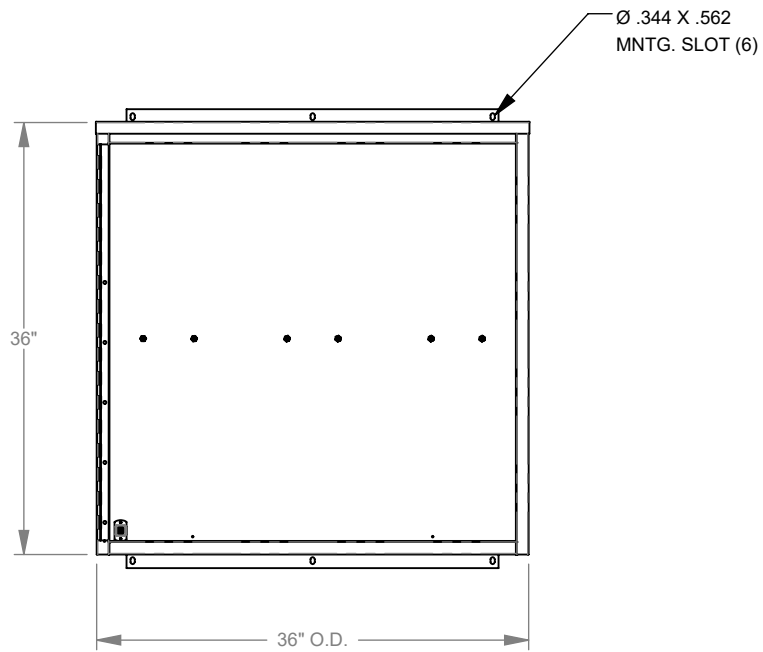
MILBANK[®]
ENERGY AT WORK



363611-CT3R-SP1

Catalog Number	363611-CT3R-SP1	Mounting	Mounting Studs and External Mounting Feet
Marketing Product Description	36x11x36 Hinge Cover Type 3R UL Listed Steel No Knockouts ANSI Gray Continuous Hinge Slotted Quarter Turn Latch Padlocking Wing Handle Weld Studs In Back Door Stiffener Ground Stud	NEMA Rating	Type 3R
UPC	784572543140	Door or Cover	Single Door
Length (IN)	11	Back Panel	Mounting Emboss on Enclosure Back
Width (IN)	36		
Height (IN)	36		
Weight (LB)	118		
Brand Name	Milbank		
Type	Hinge Cover		
Special Features	Drip Shield; Stiffeners on Door; Continuous Hinge Cover; Ground Stud		
Application	Current Transformer Enclosure		
Standard	UL Listed		
Material	G90 Galvanized Steel with Powder Coat Finish		
Size	11L x 36Wx 36H		
Color	ANSI 61 Gray		
Cable Entry	No Knockouts		

Please consult serving utility for their requirements prior to ordering or installing, as specifications and approvals vary by utility and may require local electrical inspector approval. All installations must be installed by a licensed electrician and must comply with all national and local codes, laws and regulations. Milbank reserves the right to make changes in specifications and features shown without notice or obligation.



MILBANK
ENERGY AT WORK

Version:

1

**All dimensions are +/- 1/16".
Drawing views are not to scale.**

Please consult serving utility for their requirements prior to ordering or installing, as specifications and approvals vary by utility, and may require local electrical inspector approval. All installations must be installed by a licensed electrician and must comply with all national and local codes, laws and regulations. Milbank reserves the right to make changes in specifications and features shown without notice or obligation.