

BALDOR® • **RELIANCE**

Product Information Packet

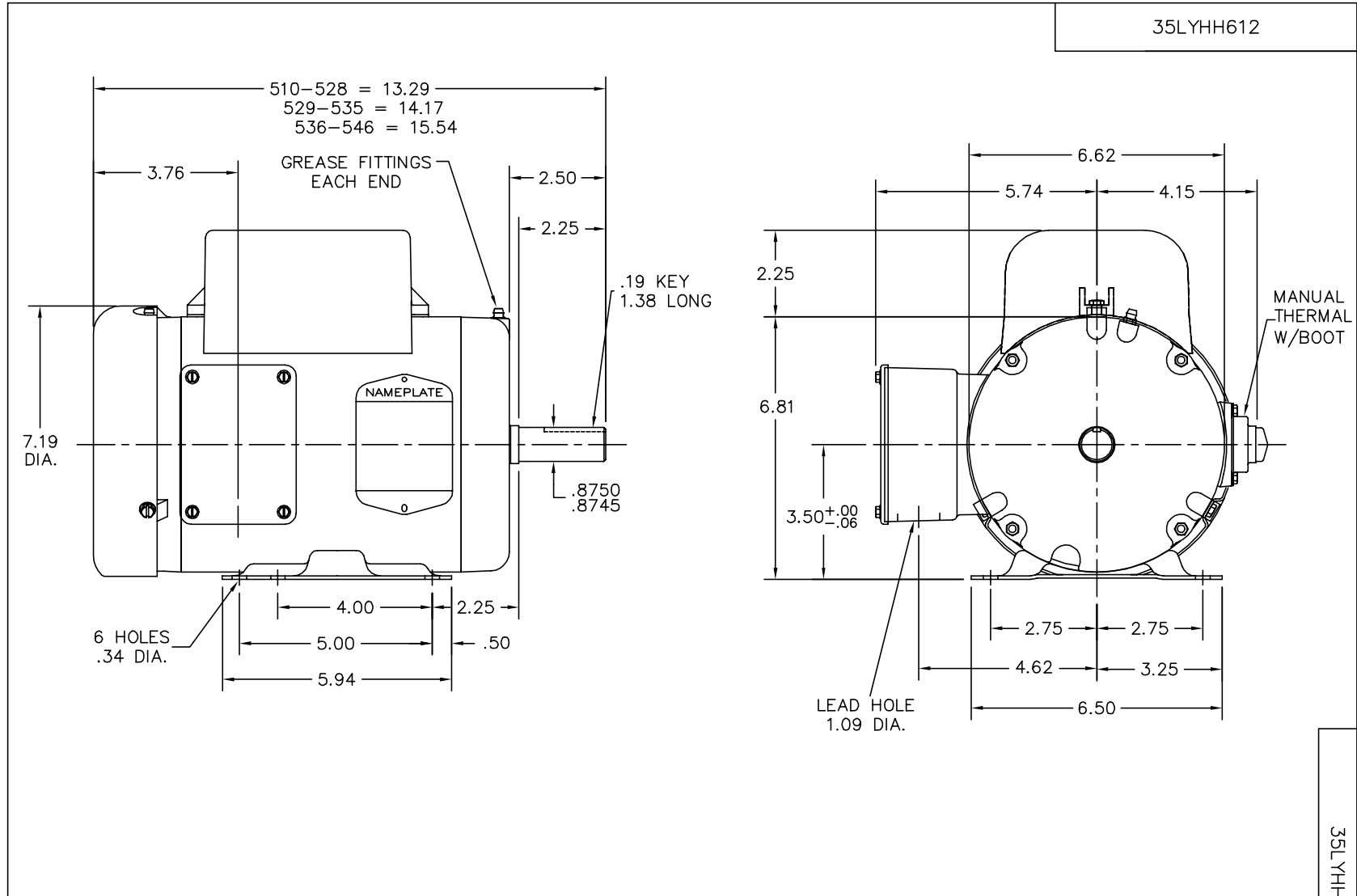
L3514TM

1.5HP, 1725RPM, 1PH, 60HZ, 145T, 3532LC, TEFC

Part Detail							
Revision:	K	Status:	PRD/A	Change #:		Proprietary:	No
Type:	AC	Prod. Type:	3532LC	Elec. Spec:	35WGW114	CD Diagram:	CD0016A02
Enclosure:	TEFC	Mfg Plant:		Mech. Spec:	35HH612	Layout:	35LYHH612
Frame:	145T	Mounting:	F1	Poles:	04	Created Date:	12-22-2009
Base:	RG	Rotation:	R	Insulation:	F	Eff. Date:	01-24-2017
Leads:	4#16 A&J,3#18 B PH,1#14 #4TH					Replaced By:	
Literature:		Elec. Diagram:					

Nameplate NP1257L	
CAT.NO.	L3514TM
SPEC.	35HH612W114
HP	1.5
VOLTS	115/208-230
AMP	16/7.9-8
RPM	1725
FRAME	145T
SER.F.	1.00
NEMA-NOM-EFF	75.5
RATING	40C AMB-CONT
CC	
DE	6205
ENCL	TEFC
CODE	J
PF	80
ODE	6203
SN	
HZ	60
DES	L
CL	F
PH	1
	USABLE AT 208V

No performance data has been assigned to this product.



CUSTOMER IS RESPONSIBLE FOR DETERMINING THAT BALDOR'S PRODUCT WILL PERFORM SUITABLY IN THE INTENDED APPLICATION.

REV. DESC: NEW		
REV. LTR: -	VERSION: 00	TDR: 000000520887
FILE: \AAA\00168\442		REVISED: 02:07:29 12/22/2009
MTL: -		BY: ENALEMO

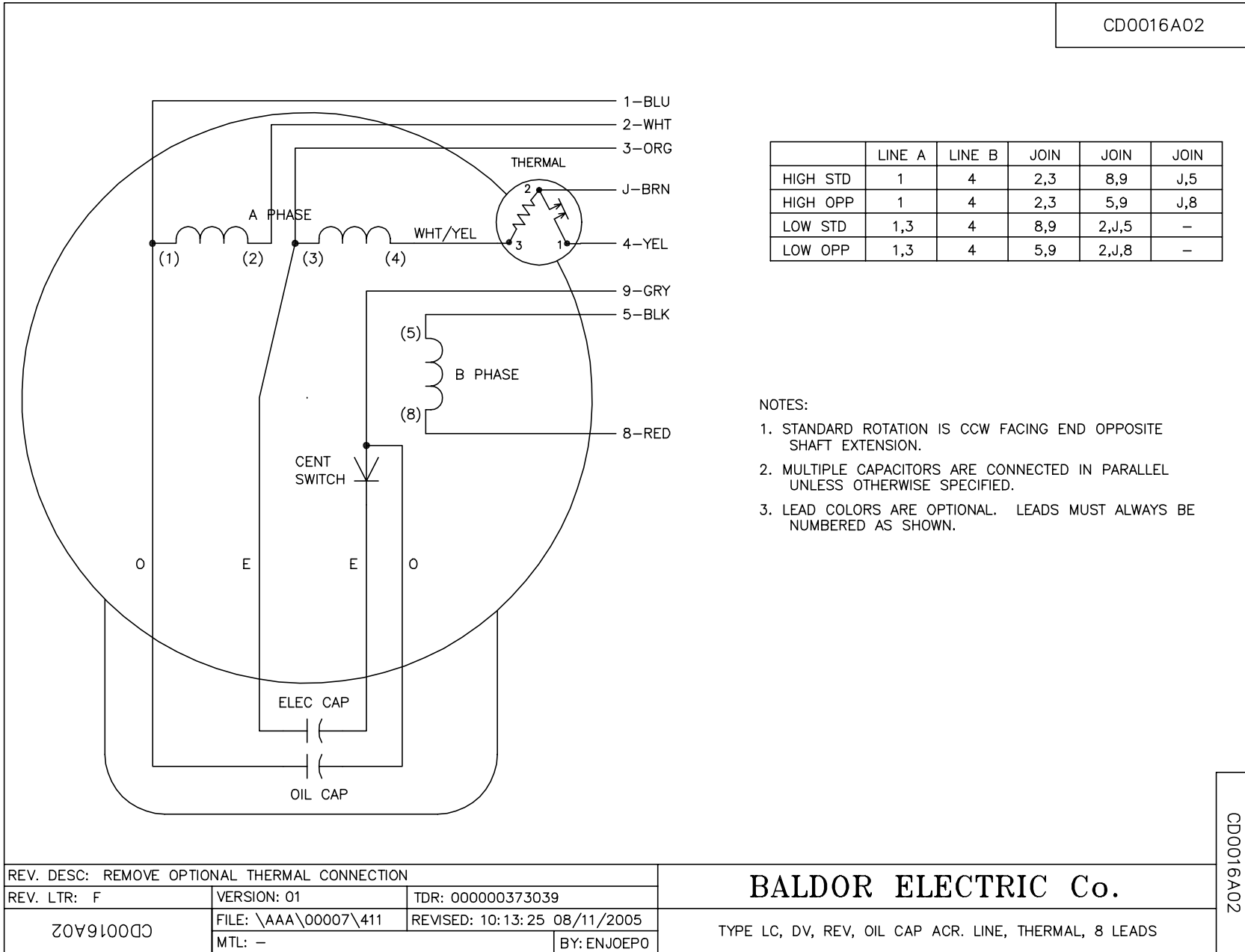
BALDOR • DODGE • RELIANCE

STD HORZ 143-5T TEFC 35LC W/1" MTO & 1.09 DIA. LEAD HOLE

SH 1 of 1

35LYHH612

CD0016A02



REV. DESC: REMOVE OPTIONAL THERMAL CONNECTION		
REV. LTR: F	VERSION: 01	TDR: 000000373039
Z0V910000	FILE: \AAA\00007\411	REVISED: 10:13:25 08/11/2005
CD0016A02	MTL: -	BY: ENJOEPO

BALDOR ELECTRIC Co.

TYPE LC, DV, REV, OIL CAP ACR. LINE, THERMAL, 8 LEADS

CD0016A02