

TECHNICAL DATA SHEET - INTERACTIVE PDF

# Conduit bodies, LB- Style, service entry

## For use with IMC and rigid conduit

**redodot**<sup>TM</sup>



Service entry LB-style conduit bodies allow 90° bends in conduit runs and provide easier access to wiring.

#### Certifications / Standards:



[3-Part Specification: 26 05 33.52](#)  
[Tools and Calculators](#)

#### Features & Benefits:

- Precision-cast and machined surfaces permit safer wire pulling
- Clean cover edges provide good gasket sealing
- Precision NPSM threaded hubs enable trouble-free installation for rigid and IMC conduit
- Retained deep-slotted stainless steel cover screws for faster installation
- Clear UL, CSA and cubic content markings speed approval by inspectors
- All covers come with gaskets

#### Applications:

- Connect conduit sections
- Act as pull outlets when conductors are being installed
- Provides easy access for splices in branch conductors
- Makes 90° bends in conduit runs
- Provide access to wiring for maintenance and potential for future changes

#### Conforms to:

- UL 514B
  - UL File: E28688
- CSA C22.2 No.18
  - CSA File: 16807

#### Material

- Conduit body: Die cast aluminum alloy
- Gasket: Fiber, nitrile (where indicated)
- Cover: Die cast aluminum alloy, stamped aluminum alloy (where indicated)
- Screws: Zinc-plated low carbon steel
- Finish: Powder coated

#### Table data:

- [Product selection and dimensions](#)

## Service entry conduit bodies

### Product selection and dimensions - inches

Part no.	Hub Size	Figure	A	B	C	Volume (in <sup>3</sup> )
ASLB-1	½"	1	3.15	1.45	-	1.8
ASLB-2	¾"	1	3.57	1.75	-	3.8
ASLB-3	1"	1	4.18	1.97	-	5.7
ASLB-4	1 ¼"	1	5.39	2.44	-	14.6
ASLB-5	1 ½"	1	6.10	2.44	-	17.5
ASLB-6	2"	1	6.61	2.93	-	29.3
ASLB-XL4	1 ¼"	1	7.83	2.83	-	24.3
ASLB-XL6	2"	1	9.92	3.58	-	63.0
DASLB-1	½"	1	3.15	1.45	-	1.8
DASLB-2	¾"	1	3.57	1.75	-	3.8
DASLB-3	1"	1	4.18	1.97	-	5.7
SALB-7*	2 ½"	2	12.83	5.13	4.44	153.0
SALB-8*	3"	2	12.83	5.72	4.44	183.5
SALB-9*	3 ½"	2	15.35	7.01	5.43	304.9
SALB-10*	4"	2	15.35	7.01	5.43	308.0

Note: Product must be installed in accordance with applicable national and local electrical codes.

\* Stamped aluminum cover and nitrile gasket

Figure 1

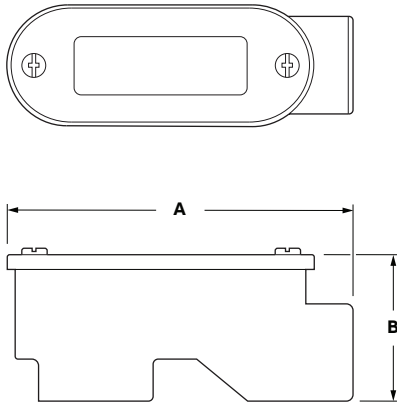


Figure 2

