

Twist-Lock® Devices  
 20A, 250V AC; 2 Pole, 3 Wire Grounding  
 Corrosion Resistant Insulgrip® Connector

# HUBBELL

## Features

- Ribbed nylon housing provides a secure grip and impact and chemical resistance.
- Superior cord grip design protects terminations from excess strain.
- Integral dust shield protects wiring chamber from dust or contaminants.

## Ordering Information

Description	Cord Diameter	UPC	Catalog Number
Corrosion resistant, yellow nylon.	.360"- .930"(9-24)	783585038124	HBL23CM23

## Listings

Listed to UL 498  
 Fed.Spec. W-C-596  
 Certified to CSA C22.2 No.42

## Specifications

Housing / Cord Clamp	Nylon
Terminal Retainer	Clear polycarbonate
Contacts	Nickel Plated Brass
Terminal Screws	#10-32 Bronze (Phillips / Slotted / Robertson)
Terminal Clamp	Cold rolled steel – nickel plated
Assembly Screws	Steel - nickel plated

## Performance

### Electrical

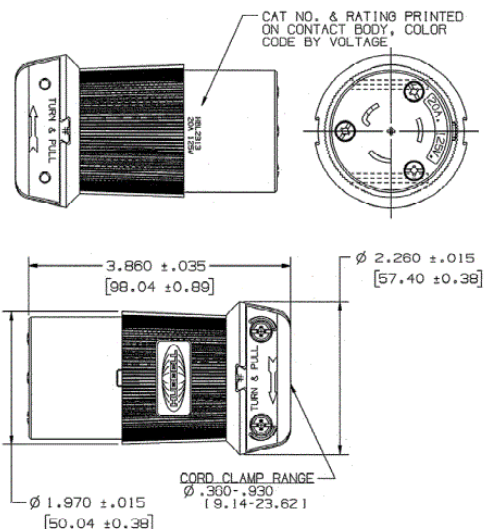
Current Interrupting	Certified for current interrupting at full rated current
Dielectric Voltage	Withstands 2,000V minimum

### Mechanical

Terminal Accommodation	#16 AWG - #8 AWG stranded copper wire only.
Terminal Identification	Terminals identified in accordance with UL 498

### Environmental

Flammability	HB or better per UL94 or CSA 22.2 No. 0.6
Moisture Resistance	IP20 Suitability
Operating Temperatures	Maximum Continuous 75°C Minimum -40°C (w/o impact)



## Accessories

Plug	HBL23CM21
Weatherproof Boot	HBL60CM32

## Resources

Customer Use Drawing  
 eCatalog

Dimensions in Inches (mm)

Hubbell Wiring Device-Kellems • Hubbell Incorporated (Delaware) • 40 Waterview Drive • Shelton, CT 06484

Phone (800) 288-6000 • Fax (800) 255-1031 • Specifications subject to change without notice.

