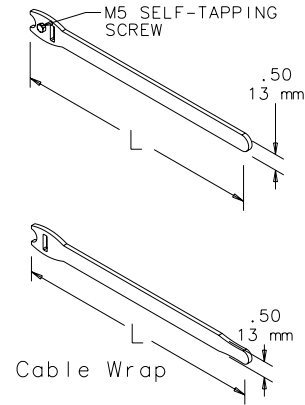


VELCRO® CABLE WRAP

Securely holds cable to cable manager and unfastens easily for cable maintenance. VELCRO® is 0.5-in. (12.7-mm) wide. Available in 8- and 12-in. (203- and 305-mm) lengths in both screw fastener and wrap styles. M5 self-tapping screw is used on ProLine frames.

VELCRO is a trademark of Velcro Industries B.V.

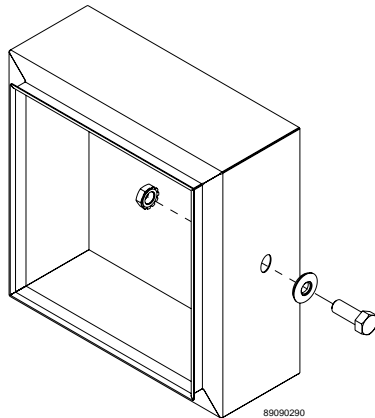
BULLETIN: DACCY



87951397

Catalog Number	Description	L (in.)	L (mm)	Color	Pkg. Qty.
ECWTD8B	Screw fastener style. Includes M5 mounting screw.	8.00	203	Black	10
ECWTD12B	Screw fastener style. Includes M5 mounting screw.	12.00	305	Black	10
ECW8B	Wrap style	8.00	203	Black	10
ECW8R	Wrap style	8.00	203	Red	10
ECW8BL	Wrap style	8.00	203	Blue	10
ECW8Y	Wrap style	8.00	203	Yellow	10
ECW12B	Wrap style	12.00	305	Black	10
ECW12R	Wrap style	12.00	305	Red	10
ECW12BL	Wrap style	12.00	305	Blue	10
ECW12Y	Wrap style	12.00	305	Yellow	10

UL RECOGNIZED HARDWARE KITS



APPLICATION

These UL-recognized mountings kits are designed to maintain the overall UL Type rating of the enclosure when component mounting holes penetrate the exterior of the enclosure. These hardware kits are conveniently offered in three common fastener sizes to meet various applications.

FEATURES

- Each kit provides the capability of sealing 10 hole penetrations
- Kits are offered in 10-32, 1/4-20 and 3/8-16 fastener sizes
- Stainless steel fasteners
- Kit contains screws, sealing washers and locking nuts
- Kit is UL-recognized as a means to maintain UL enclosure cabinet rating up to Type 4X

SPECIFICATIONS

- Fasteners are made of stainless steel
- Sealing washer has integral rubber sealing and stainless steel washer

FINISH

Brushed, bright stainless steel

BULLETIN: A80HS

INDUSTRY STANDARDS

UL 508A Component Recognized; File No. E61997

CSA File No. 42186: Type 4, 4X, 12, 13

Cabinet maintains up to UL Type 4X when included hardware is used per instructions.

Standard Product

Catalog Number	Fastener Size (Nominal)	Fastener Length (Inches)	Drill/Hole Size (Inches)
AHK10324X	10-32	5/8	7/32
AHK14204X	1/4-20	1	9/32
AHK38164X	3/8-16	1	13/32

Notes