

Optanium T8 Instant Start

OPTANIUM IOPA2P32HLN35M

Reliable and energy efficient Philips Advance's Centium commercial grade specifications, plus added benefits of lamp striation reduction technology.

Product data

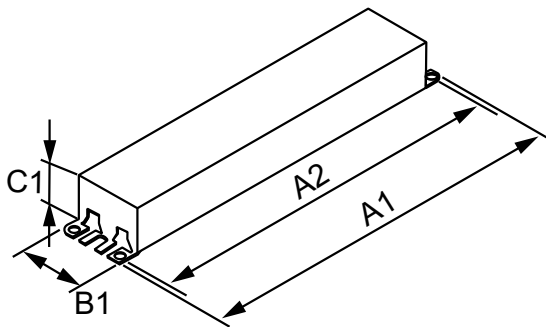
General Information		Input Power (Nom)	
Lamp Type	F32T8		74-73 W
Number Of Lamps	1/2 piece/unit	Rated Lamp Power	32W W
Ballast Type	Electronic Fluorescent	Wiring	
Base Model	IOPA2P32HLN	Color Input Terminals	No terminals
Suitable For Outdoor Use	Yes	Color Output Terminals	No terminals
Automatic Restart	Yes	Wire Striplength	0.50/0.375 mm
Operating and Electrical		Lamp Connection	Parallel
Input Voltage	120 to 277 V	Wire Length By Color	See data sheet
Input Frequency	50 to 60 Hz	Wire Gauge (Nom)	18AWG mm
Total Harmonic Distortion USA	10 %	Wire Type	Solid
Power (Rated) (Nom)	32 W	Remote Wiring Configuration Allowed	Yes
Ignition Method	Instant Start	Tandem Wiring Configuration Allowed	Yes
Cresifactor (Nom)	1.6	Through Wiring Configuration Allowed	Yes
Ignition Time (Nom)	0.1 s	Max Ballast-Lamp Distance Remote Wiring	ES = 6' / Standard = 20'
Ballast Factor (Nom)	1.16	Max Ballast-Lamp Distance Tandem Wiring	ES = 6' / Standard = 20'
Power Factor (Nom)	0.98	Max Ballast-Lamp Distance Through Wiring	ES = 6' / Standard = 20'
Input Current (Max)	0.62 A	Connector Type	No connector
Input Current (Min)	0.27 A		
Input Current (Nom)	- A		

Optanium T8 Instant Start

Temperature	
T-Case Maximum (Nom)	70 °C
Mechanical and Housing	
Housing Material	Metal
Housing	N
Housing Dimensions	9.5" x 1.3" x 1.0"
Approval and Application	
EMC Immunity Standard	FCC Non-Consumer
Approval Marks	CSA certificate UL certificate CEC Listing CEE Rated NEMA Premium RoHS Compliant
Hum And Noise Level	A

UL Recognized	No
Product Data	
Order product name	OPTANIUM IOPA2P32HLN35M
EAN/UPC - Product	781087132500
Order code	913701254202
Numerator - Quantity Per Pack	1
Numerator - Packs per outer box	30
Material Nr. (12NC)	913701254202
Net Weight (Piece)	350.000 g

Dimensional drawing



ELE BALLAST (2) F32T8 120-277V

Product	A1	A2	B1	C1
---------	----	----	----	----

