

## IEC Pin and Sleeve

20A, 125V, 2 Pole, 3 Wire

## Watertight Inlet

### Features

- Solid one-piece pins for reliable electrical contact
- Super tough insulated non-metallic housing
- Raised collar surrounds each phase pin to prevent electrical tracking

### Ordering Information

Description	UPC	Catalog Number
Watertight IEC Pin and Sleeve Inlet	783585403267	HBL320B4W

**Device Color**  
Yellow

### Standards

UL Listed, File E146032  
CSA Certified File LR280C  
UL Classified to IEC 60309-1 IEC 60309-2

### Specifications

Housing	Zytel® 101 Nylon
Locking Ring	Reinforced Thermoplastic Polyester
Mounting Flange	Zytel® 101 Nylon
Contact Carrier	High-Impact Thermoset
Gaskets	Solid Neoprene

### Performance

**Electrical**  
Current Interrupting Certified for current interrupting at full rated current

Dielectric Voltage Withstand 3000V AC  
Max. Working Voltage 600V RMS

**Mechanical**  
Cord Grip Retention Per CSA C22.2 No.182.1 /UL1682  
Product Identification Identification and ratings are a permanent part of the device housing  
Terminal Identification Terminals identified in accordance with North American and IEC conventions

**Environmental**  
Flammability HB or better per UL 94 or CSA C22.2 No. 0.17  
Ingress Protection IP67 Suitability  
Moisture Resistance Watertight per IEC 60309-1.  
Operating Temperatures Maximum Continuous 75°C; Minimum - 40°C w/o impact

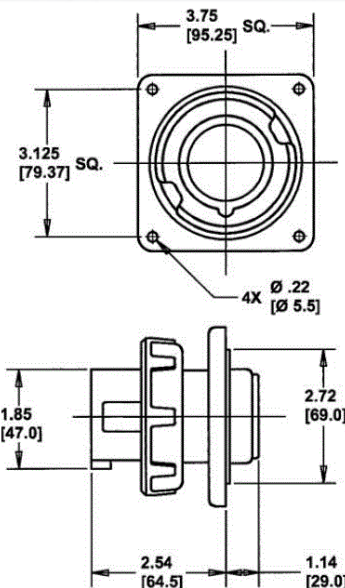
### Accessories

Closure Cap  
Cord Clamp and Locking Ring  
Back Boxes

### Online Resources

Customer Use Drawing  
eCatalog  
Installation Instructions

# HUBBELL



Dimensions in Inches (mm)

Hubbell Wiring Device-Kellems • Hubbell Incorporated (Delaware) • 40 Waterview Drive • Shelton, CT 06484

Phone (800) 288-6000 • Fax (800) 255-1031 • Specifications subject to change without notice.

