

BALDOR® • ***RELIANCE***

Product Information Packet

EJMM3218T

5HP,1760RPM,3PH,60HZ,184JM,3640M,OPSB,F1

Part Detail							
Revision:	J	Status:	PRD/A	Change #:		Proprietary:	No
Type:	AC	Prod. Type:	3640M	Elec. Spec:	36WGS270	CD Diagram:	CD0005
Enclosure:	OPSB	Mfg Plant:		Mech. Spec:	36G687	Layout:	36LYG687
Frame:	184JM	Mounting:	F1	Poles:	04	Created Date:	07-30-2010
Base:	RG	Rotation:	R	Insulation:	F	Eff. Date:	11-07-2016
Leads:	9#16					Replaced By:	
Literature:		Elec. Diagram:					

Nameplate NP1259L												
CAT.NO.	EJMM3218T											
SPEC.	36G687S270G1											
HP	5											
VOLTS	230/460											
AMP	13.2/6.6											
RPM	1750											
FRAME	184JM					HZ	60			PH	3	
SER.F.	1.15					CODE	J		DES	B	CL	F
NEMA-NOM-EFF	89.5					PF	80					
RATING	40C AMB-CONT											
CC	010A								USABLE AT 208V	14		
DE	6207					ODE	6205					
ENCL	OPSB					SN						

AC Induction Motor Performance Data

Record # 53360 - Typical performance - not guaranteed values

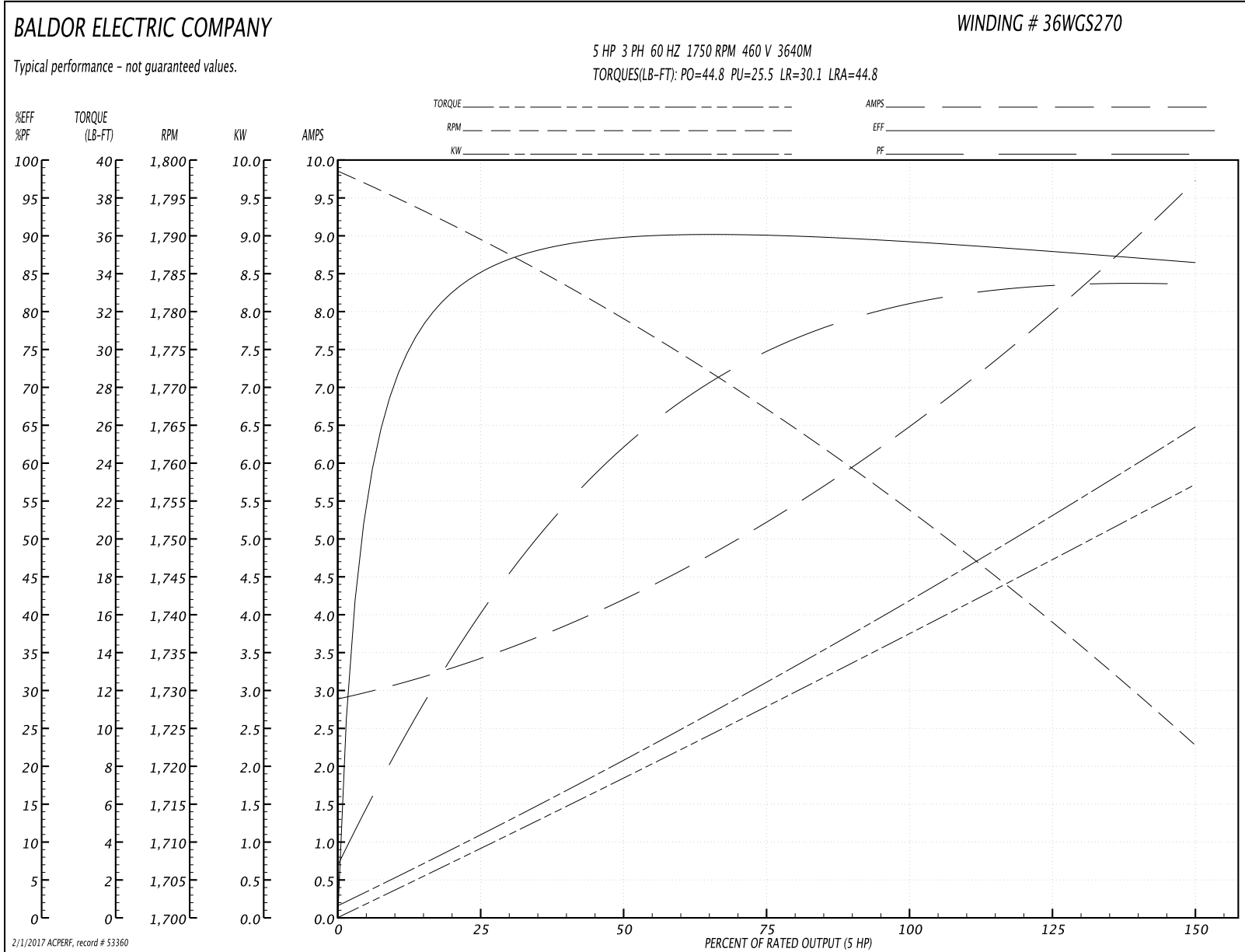
Winding: 36WGS270-R004	Type: 3640M	Enclosure: OPSB
-------------------------------	--------------------	------------------------

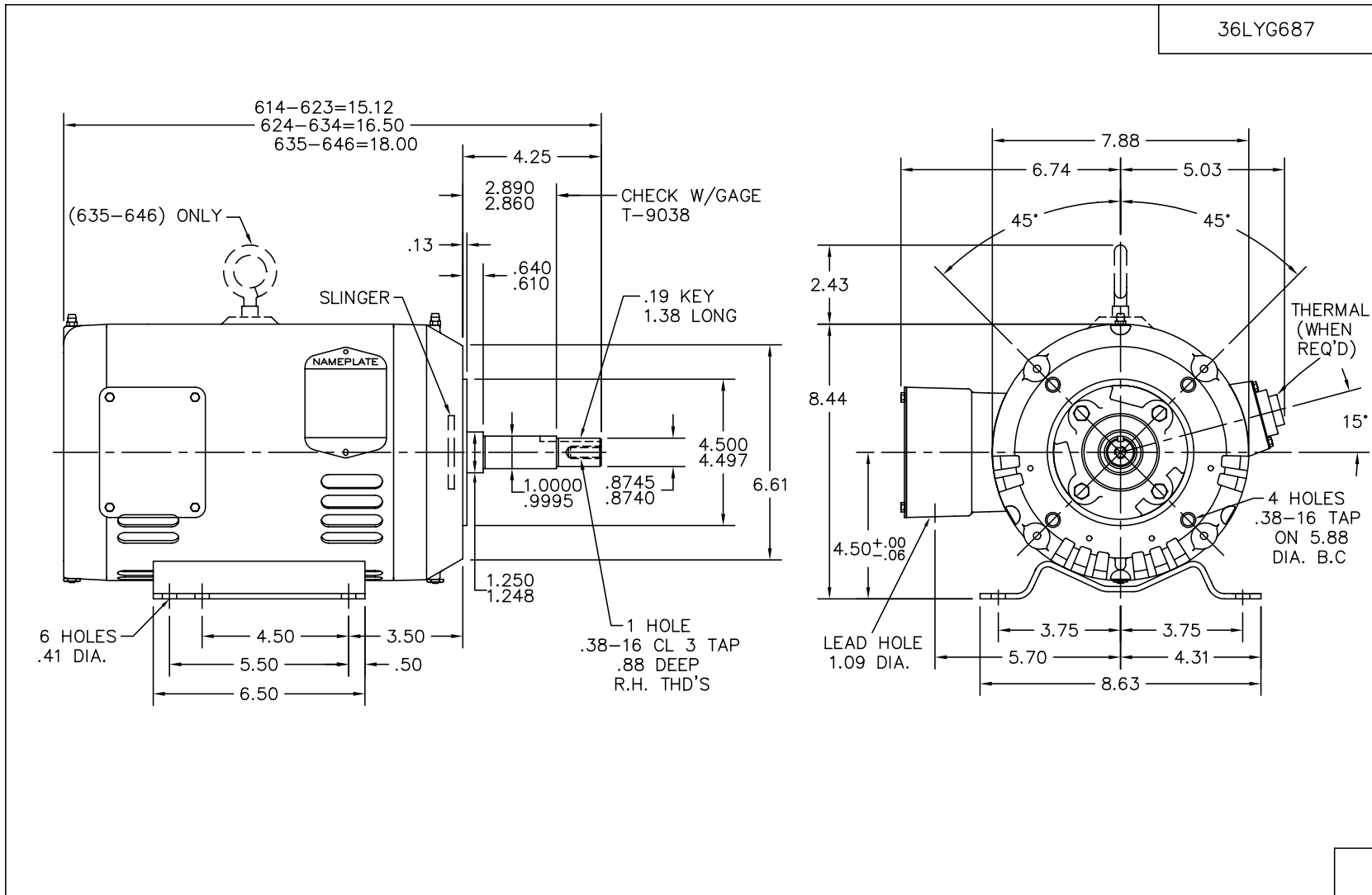
Nameplate Data				460 V, 60 Hz: High Voltage Connection	
Rated Output (HP)	5			Full Load Torque	15.05 LB-FT
Volts	230/460			Start Configuration	direct on line
Full Load Amps	13.2/6.6			Breakdown Torque	44.8 LB-FT
R.P.M.	1750			Pull-up Torque	25.5 LB-FT
Hz	60	Phase	3	Locked-rotor Torque	30.1 LB-FT
NEMA Design Code	B	KVA Code	J	Starting Current	44.8 A
Service Factor (S.F.)	1.15			No-load Current	2.97 A
NEMA Nom. Eff.	89.5	Power Factor	80	Line-line Res. @ 25°C	2.632 Ω
Rating - Duty	40C AMB-CONT			Temp. Rise @ Rated Load	44°C
S.F. Amps				Temp. Rise @ S.F. Load	56°C
				Locked-rotor Power Factor	41
				Rotor inertia	0.372 LB-FT ²

Load Characteristics 460 V, 60 Hz, 5 HP

% of Rated Load	25	50	75	100	125	150	S.F.
Power Factor	42	64	75	80	83	84	82
Efficiency	85.4	89.7	90.2	89.5	88.2	86.4	88.7
Speed	1789.2	1778.5	1766.9	1753.8	1739.5	1722.1	1745
Line amperes	3.33	4.14	5.26	6.59	8.05	9.68	7.47

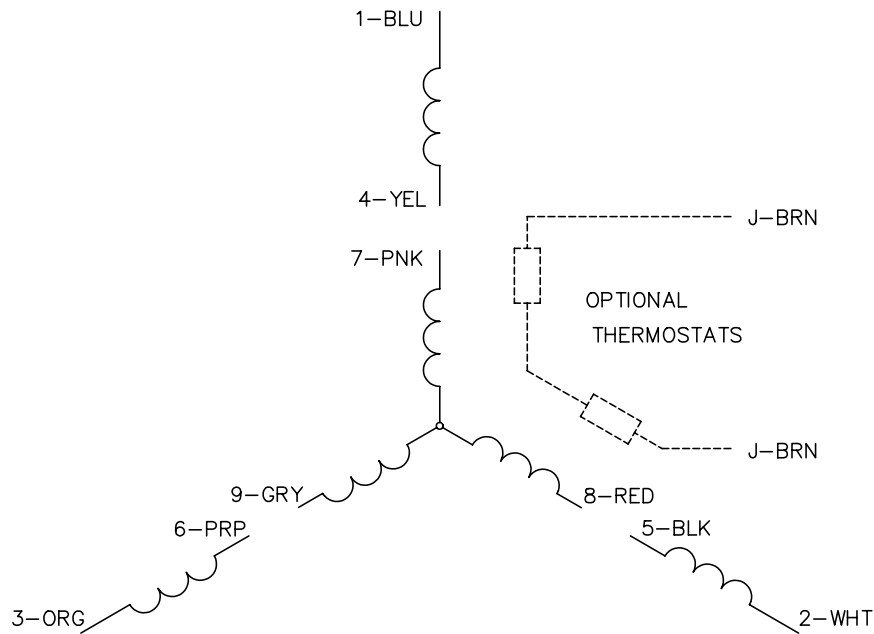
Performance Graph at 460V, 60Hz, 5.0HP Typical performance - Not guaranteed values



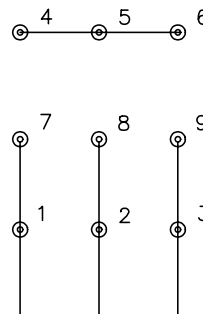


CUST. NAME		CUST. P.O.		CERTIFIED BY		MODEL		INSUL		AMB	
H.P.		MTG		TYPE		R.P.M.		VOLTS		ENCL	
PHASE		FREQ		FRAME							
REV. DESC: CHG'D CONDUIT BOX AND LID (SEE EC09)											
REV. LTR: D		BY: JED		REVISED: 02/23/99 8:11				TDR: 0171565			
FILE: AAA00004132				MDL: -							
MTL: -				<p style="text-align: center;">BALDOR ELECTRIC Co.</p> <p style="text-align: center;">STD HORZ 182-4JM OPSB 36M W/SCREENS</p>							
36LYG687											

CD0005

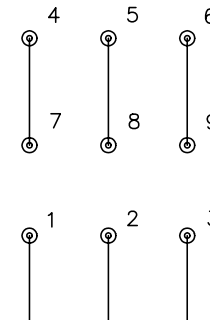


LOW VOLTAGE
(2Y)



LINE

HIGH VOLTAGE
(1Y)



LINE

NOTES:

1. INTERCHANGE ANY TWO LINE LEADS TO REVERSE ROTATION.
2. OPTIONAL THERMOSTATS ARE PROVIDED WHEN SPECIFIED.
3. ACTUAL NUMBER OF INTERNAL PARALLEL CIRCUITS MAY BE A MULTIPLE OF THOSE SHOWN ABOVE.
4. LEAD COLORS ARE OPTIONAL. LEADS MUST ALWAYS BE NUMBERED AS SHOWN.

REV. DESC: REVISE TO SHOW OPTIONAL COLORS			
REV. LTR: E	BY: JLP	REVISED: 01/19/99 10:15	TDR: 0171435
90000		FILE: AAA00005140	MDL: -
		MTL: -	

BALDOR ELECTRIC Co.

3PH, DV, 9 LEADS

CD0005