

ZONEX, ATEX, IECEX, TYPE 4X, HINGED, 316SS, ATEX DESIGN

INDUSTRY STANDARDS
ATEX Directive 2014/34/EU
ATEX

Sira 09ATEX3224U
2813 Ex II 2 G D
Ex eb IIC Gb
Ex tb IIIC Db IP 66

EN 60079-0
EN 60079-7
EN 60079-31

IECEX

IECEX SIR 09.0099U
Ex eb IIC Gb
Ex tb IIIC Db IP 66

IEC 60079-0
IEC 60079-7
IEC 60079-31

AEx/Ex

UL File E67456 Class I, Zone I
AEx eb IIC Tamb -50C to +80C
Ex eb IIC U Tamb -50C to +80C

UL 508A Listed; Type 4, 4X, 12; File No. E61997
cUL C22.2 No. 94 Listed; Type 4, 4X, 12; File No. E61997

NEMA/EEMAC Type 4, 4X, 12
IEC 60529, IP66

APPLICATION

ZONEX Enclosures are designed and certified to meet ATEX Directive 2014/34/EU as well as IECEX and AEx standards for increased safety in housing electrical components in Zone 1 and Zone 2 applications.

Hoffman's ATEX Ex e enclosures are not intended for use in explosion-proof or flame-proof applications.

FEATURES

- Easy-to-use Type 316 stainless steel quarter-turn door latching
- 3-mm double-bit insert for security
- Slot and through-hole side-mount hanging brackets
- Lift-off door hinges
- Removable gland plates; one or three gland plates standard

SPECIFICATIONS

- Fabricated from Type 316 stainless steel
- Type 316 stainless steel external fasteners
- Gray silicone high-temperature gasket on doors and gland plates; operating temperature range -55 C to +180 C
- Internal/external brass earth/ground provision

ACCESSORIES

Panels
Hazardous Location Heaters and Thermostats
Hazardous Location Breather Drains
Hazardous Location Hole Seals
Hazardous Location Window Kits

MODIFICATION AND CUSTOMIZATION

Hoffman excels at modifying and customizing products to your specifications. Contact your local Hoffman sales office or distributor for complete information.

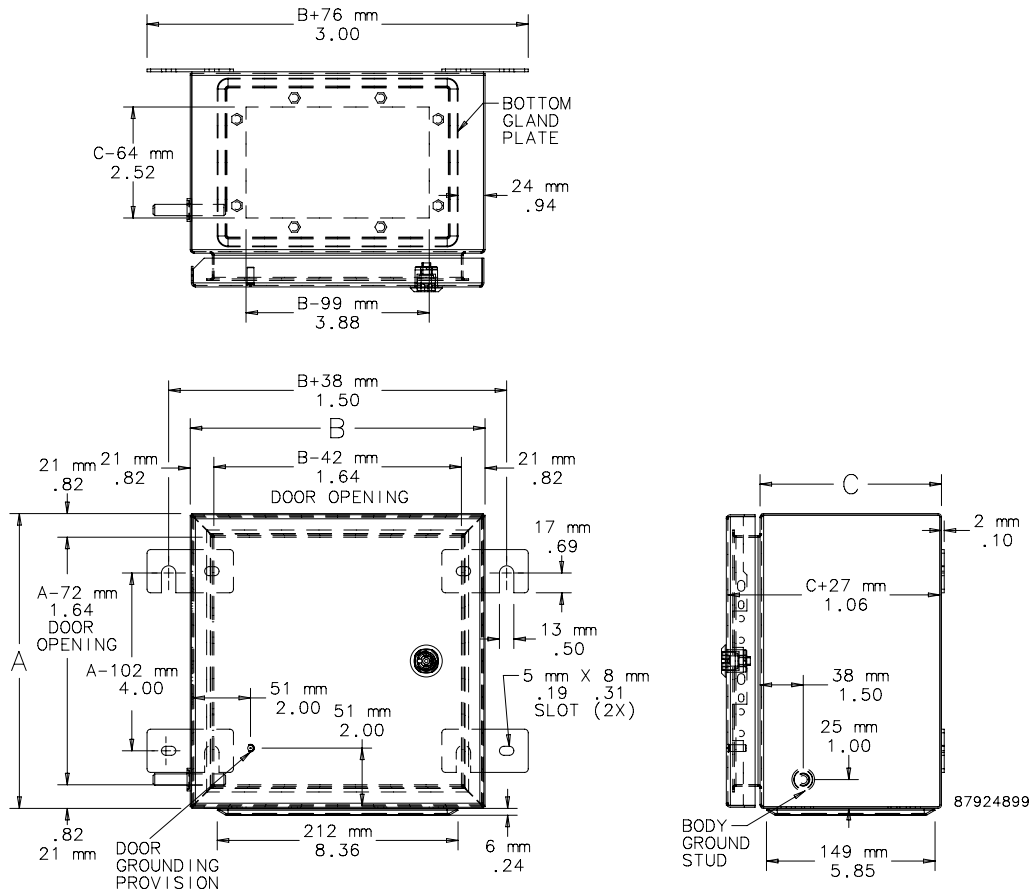
Hoffman offers a ZONEX-specific modification program with ATEX certification.

BULLETIN: HL

Standard Product **ZONEX Enclosures with One Gland Plate**

| Catalog Number | AxBxC mm/in. | Number of Gland Plates | White Panel | Conductive Panel | Panel Size D x E mm/in. |
|----------------|---|------------------------|-------------|------------------|----------------------------|
| ATEX262616SS61 | 260 x 260 x 160 10.24 x 10.24 x 6.30 | 1 | ATEX26P26 | ATEX26P26G | 214 x 214 8.44 x 8.44 |
| ATEX262620SS61 | 260 x 260 x 205 10.24 x 10.24 x 8.07 | 1 | ATEX26P26 | ATEX26P26G | 214 x 214 8.44 x 8.44 |
| ATEX303016SS61 | 306 x 306 x 160 12.05 x 12.05 x 6.30 | 1 | ATEX30P30 | ATEX30P30G | 260 x 260 10.25 x 10.25 |
| ATEX303020SS61 | 306 x 306 x 205 12.05 x 12.05 x 8.07 | 1 | ATEX30P30 | ATEX30P30G | 260 x 260 10.25 x 10.25 |
| ATEX382616SS61 | 380 x 260 x 160 14.96 x 10.24 x 6.30 | 1 | ATEX38P26 | ATEX38P26G | 334 x 214 13.16 x 8.44 |
| ATEX382620SS61 | 380 x 260 x 205 14.96 x 10.24 x 8.07 | 1 | ATEX38P26 | ATEX38P26G | 334 x 214 13.16 x 8.44 |
| ATEX453816SS61 | 458 x 382 x 160 18.03 x 15.04 x 6.30 | 1 | ATEX45P38 | ATEX45P38G | 412 x 336 16.23 x 13.24 |
| ATEX484820SS61 | 480 x 480 x 205 18.90 x 18.90 x 8.07 | 1 | ATEX48P48 | ATEX48P48G | 434 x 434 17.10 x 17.10 |
| ATEX503516SS61 | 500 x 350 x 160 19.69 x 13.78 x 6.30 | 1 | ATEX50P35 | ATEX50P35G | 454 x 304 17.89 x 11.98 |
| ATEX503520SS61 | 500 x 350 x 205 19.69 x 13.78 x 8.07 | 1 | ATEX50P35 | ATEX50P35G | 454 x 304 17.89 x 11.98 |
| ATEX624520SS61 | 620 x 450 x 205 24.41 x 17.72 x 8.07 | 1 | ATEX62P45 | ATEX62P45G | 574 x 404 22.61 x 15.92 |
| ATEX745520SS61 | 740 x 550 x 205 29.13 x 21.65 x 8.07 | 1 | ATEX74P55 | ATEX74P55G | 694 x 504 27.33 x 19.85 |
| ATEX765020SS61 | 762 x 508 x 205 30.00 x 20.00 x 8.07 | 1 | ATEX76P50 | ATEX76P50G | 716 x 462 28.20 x 18.20 |

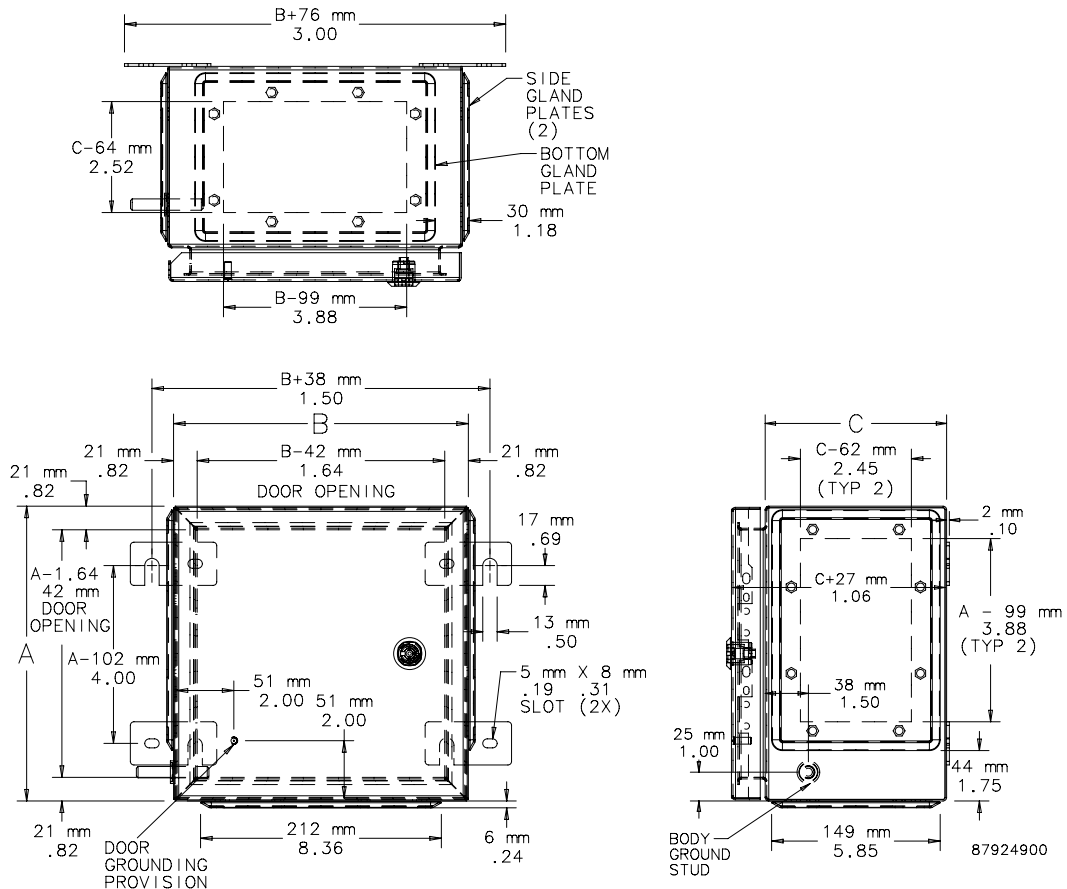
Purchase panels separately.



Standard Product **ZONEX Enclosures with Three Gland Plates**

| Catalog Number | AxBxC mm/in. | Number of Gland Plates | White Panel | Conductive Panel | Panel Size D x E mm/in. |
|----------------|---|------------------------|-------------|------------------|----------------------------|
| ATEX262616SS63 | 260 x 260 x 160 10.24 x 10.24 x 6.30 | 3 | ATEX26P26 | ATEX26P26G | 214 x 214 8.44 x 8.44 |
| ATEX262620SS63 | 260 x 260 x 205 10.24 x 10.24 x 8.07 | 3 | ATEX26P26 | ATEX26P26G | 214 x 214 8.44 x 8.44 |
| ATEX303016SS63 | 306 x 306 x 160 12.05 x 12.05 x 6.30 | 3 | ATEX30P30 | ATEX30P30G | 260 x 260 10.25 x 10.25 |
| ATEX303020SS63 | 306 x 306 x 205 12.05 x 12.05 x 8.07 | 3 | ATEX30P30 | ATEX30P30G | 260 x 260 10.25 x 10.25 |
| ATEX382616SS63 | 380 x 260 x 160 14.96 x 10.24 x 6.30 | 3 | ATEX38P26 | ATEX38P26G | 334 x 214 13.16 x 8.44 |
| ATEX382620SS63 | 380 x 260 x 205 14.96 x 10.24 x 8.07 | 3 | ATEX38P26 | ATEX38P26G | 334 x 214 13.16 x 8.44 |
| ATEX453816SS63 | 458 x 382 x 160 18.03 x 15.04 x 6.30 | 3 | ATEX45P38 | ATEX45P38G | 412 x 336 16.23 x 13.24 |
| ATEX484820SS63 | 480 x 480 x 205 18.90 x 18.90 x 8.07 | 3 | ATEX48P48 | ATEX48P48G | 434 x 434 17.10 x 17.10 |
| ATEX503516SS63 | 500 x 350 x 160 19.69 x 13.78 x 6.30 | 3 | ATEX50P35 | ATEX50P35G | 454 x 304 17.89 x 11.98 |
| ATEX503520SS63 | 500 x 350 x 205 19.69 x 13.78 x 8.07 | 3 | ATEX50P35 | ATEX50P35G | 454 x 304 17.89 x 11.98 |
| ATEX624520SS63 | 620 x 450 x 205 24.41 x 17.72 x 8.07 | 3 | ATEX62P45 | ATEX62P45G | 574 x 404 22.61 x 15.92 |
| ATEX745520SS63 | 740 x 550 x 205 29.13 x 21.65 x 8.07 | 3 | ATEX74P55 | ATEX74P55G | 694 x 504 27.33 x 19.85 |
| ATEX765020SS63 | 762 x 508 x 205 30.00 x 20.00 x 8.07 | 3 | ATEX76P50 | ATEX76P50G | 716 x 462 28.20 x 18.20 |

Purchase panels separately.

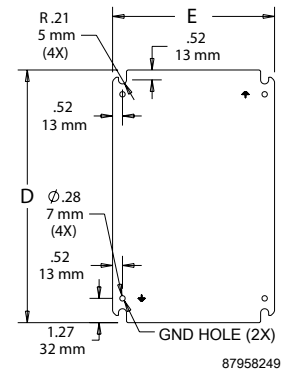


ZONEX ACCESSORY PANELS

Steel panels are 12 gauge finished with white polyester powder paint or with a conductive, corrosion-resistant coating. Panel mounting hardware is furnished with all ZONEX enclosures.

BULLETIN: HL

| Catalog Number | AxB mm | AxB in. | Panel Type | Panel Size D x E (mm) | Panel Size D x E (in.) |
|----------------|-----------|---------------|------------|--------------------------|---------------------------|
| ATEX26P26 | 215 x 215 | 8.46 x 8.46 | White | 214 x 214 | 8.44 x 8.44 |
| ATEX26P26G | 215 x 215 | 8.46 x 8.46 | Conductive | 214 x 214 | 8.44 x 8.44 |
| ATEX30P30 | 261 x 261 | 10.28 x 10.28 | White | 260 x 260 | 10.25 x 10.25 |
| ATEX30P30G | 261 x 261 | 10.28 x 10.28 | Conductive | 260 x 260 | 10.25 x 10.25 |
| ATEX38P26 | 335 x 215 | 13.19 x 8.46 | White | 334 x 214 | 13.16 x 8.44 |
| ATEX38P26G | 335 x 215 | 13.19 x 8.46 | Conductive | 334 x 214 | 13.16 x 8.44 |
| ATEX45P38 | 413 x 337 | 16.26 x 13.27 | White | 412 x 336 | 16.23 x 13.24 |
| ATEX45P38G | 413 x 337 | 16.26 x 13.27 | Conductive | 412 x 336 | 16.23 x 13.24 |
| ATEX48P48 | 435 x 435 | 17.13 x 17.13 | White | 434 x 434 | 17.10 x 17.10 |
| ATEX48P48G | 435 x 435 | 17.13 x 17.13 | Conductive | 434 x 434 | 17.10 x 17.10 |
| ATEX50P35 | 455 x 305 | 17.91 x 12.01 | White | 454 x 304 | 17.89 x 11.98 |
| ATEX50P35G | 455 x 305 | 17.91 x 12.01 | Conductive | 454 x 304 | 17.89 x 11.98 |
| ATEX62P45 | 574 x 405 | 22.60 x 15.94 | White | 574 x 404 | 22.61 x 15.92 |
| ATEX62P45G | 574 x 405 | 22.60 x 15.94 | Conductive | 574 x 404 | 22.61 x 15.92 |
| ATEX74P55 | 695 x 505 | 27.36 x 19.88 | White | 694 x 504 | 27.33 x 19.85 |
| ATEX74P55G | 695 x 505 | 27.36 x 19.88 | Conductive | 694 x 504 | 27.33 x 19.85 |
| ATEX76P50 | 717 x 463 | 28.23 x 18.23 | White | 716 x 462 | 28.20 x 18.20 |
| ATEX76P50G | 717 x 463 | 28.23 x 18.23 | Conductive | 716 x 462 | 28.20 x 18.20 |



ATEX DIRECTIVE AND CLASSIFICATION SYSTEM

Since 2003, manufacturers across the European Union (EU) have been obliged to comply with strict new EU directives governing safety in explosive atmospheres. Called ATEX (from the French ATmosphères EXplosives), ATEX Directive 2014/34/EU has an impact not only on European manufacturers, but also on non-European makers of industrial equipment wishing to sell in Europe.

Two of the most common classification systems for hazardous locations are the NEC Division Classification system and the Zone Classification system used by the European Union (EU) and the International Electrotechnical Commission (IEC).

Article 500 of the NEC also classifies hazardous locations according to the properties of the flammable vapors, liquids or gases, or according to the combustible dusts or fibers that may be present and the likelihood that a flammable or combustible concentration or quantity is present. Articles 505 and 506 of the NEC refer to zone classifications. Refer to the Technical Information section of the Specifier's Guide for specific definitions and additional information.

Hoffman's ATEX enclosures are not intended for use in explosion-proof or flame-proof (Ex d) applications.

NEC Divisions and IEC Zones (Not Interchangeable)

| Frequency of Hazard Occurrence | NEC Division Classification System | EU and IEC Zone Classification System |
|--------------------------------|------------------------------------|---------------------------------------|
| Continuous Hazard | Division 1 | Zone 0 |
| Intermittent, Periodic Hazards | Division 1 | Zone 1 |
| Abnormal Condition Hazard | Division 2 | Zone 2 |