

# Light-Pak N2LPS LED emergency lighting system

Cl. I, Div. 2, Groups B, C, D  
 Cl. I, Zone 2  
 Cl. II, Div. 2, Groups F, G (N2LPS only)  
 Marine & Wet Locations  
 NEMA 4, 4X

9L

## Applications:

Light-Pak™ N2LPS LED emergency lighting systems are used:

- To provide reliable illumination for egress areas during failure or interruption of power to the normal lighting system
- In areas where flammable gases or vapors may become present due to abnormal, unusual or accidental conditions
- In manufacturing plants, refineries, petrochemical and chemical plants, waste and sewage treatment facilities, oil terminals, food processing facilities, breweries and other industrial manufacturing or process industry facilities subject to wet or corrosive conditions
- To illuminate machinery or panels during a loss of AC power
- Where moisture, dirt, dust or corrosion will limit the life and reliability of ordinary emergency lighting systems
- Where required by the National Electrical Code®, the Life Safety Code® or other applicable codes
- Outdoor applications

## Features:

- Non-metallic, enclosed, gasketed housing – provides corrosion protection in the most extreme environments
- Durable and marine rated LED lamp head assemblies – provide protection against water ingress, corrosion and impact
- Nickel cadmium battery – high temperature rated nickel cadmium battery for reliable operation up to 55°C ambient
- Reduced maintenance costs – self-test, monitoring and diagnostics reduce costly maintenance checks
- Remote mountable lamp heads – lamp heads can be mounted independently from the enclosure, allowing you to focus light where you need it
- Solid state battery charger – ensures long life and reliable battery operation; prevents deep discharge by automatically disconnecting the battery from the luminaire

## Certifications and compliances:

### NEC/CEC:

- Class I, Division 2, Groups B, C, D
- Class I, Zone 2
- Class II, Division 2, Groups F, G (N2LPS only)
- NEMA 4, 4X
- Marine and wet locations suitability

### UL standards:

- UL1598A – Supplemental Requirements for Luminaires for Installation on Marine Vessels
- UL924 – Emergency Lighting and Power Equipment
- UL844 – Electric Luminaires Hazardous Locations

### CSA standards:

- C22.2 No. 141-M1985
- C22.2 No. 137-M1981

### NFPA:

- Life Safety Code NFPA101 – Section 5-9 (Emergency Lighting)

## Standard materials:

- Power supply and remote luminaire enclosure – Krydon fiberglass-reinforced polyester
- LED lamp head assembly – epoxy powder coated aluminum
- Exterior hardware – nylon, plastic coated, and stainless steel
- Cover gasket – Hypalon synthetic rubber

## Temperature performance data:

Cat. #	Class I & II, Division 2
N2LPS (all models)	T6
N2RF (all models)	

**Note:** Ambient temperature at which the Light-Pak system is rated is -20°C to 55°C. Operation at temperatures outside this range will affect the battery life and/or charging performance.

## Ordering information:

Description	Cat. #
28W, 12V power supply, two 1W LED lamp heads	N2LPSM212222
28W, 12V power supply, less luminaire heads	N2LPSM212220
Remote luminaire assembly, one LED lamp head	N2RFM21221
Remote luminaire assembly, two LED lamp heads	N2RFM21222
6W, 12V power supply with exit sign (single sided)	N2LPSM212222 UX71SDHAZ <sup>A</sup>
6W, 12V power supply with exit sign (double sided)	N2LPSM212222 UX72SDHAZ <sup>A</sup>



## Electrical ratings:

- **Power supply:**  
 Input – 120-277 VAC, 50 or 60 Hz; 6W maximum  
 Output – VDC
- **LED luminaire heads:**  
 Voltage – 12 VDC  
 Lamp – 1W LED, 6W maximum  
 Maximum 6 lamp heads

## Options:

Description	Suffix
• Breather/drain .....	<b>S931</b>
• External battery disconnect switch ...	<b>S932</b>

## Photometrics:

- Complete photometrics can be found at [www.crouse-hinds.com/photometrics](http://www.crouse-hinds.com/photometrics)

<sup>A</sup>Class I, Division 2 only.

# Light-Pak N2LPS LED emergency lighting system

Cl. I, Div. 2, Groups B, C, D  
Cl. I, Zone 2  
Cl. II, Div. 2, Groups F, G (N2LPS only)  
Marine & Wet Locations  
NEMA 4, 4X

9L

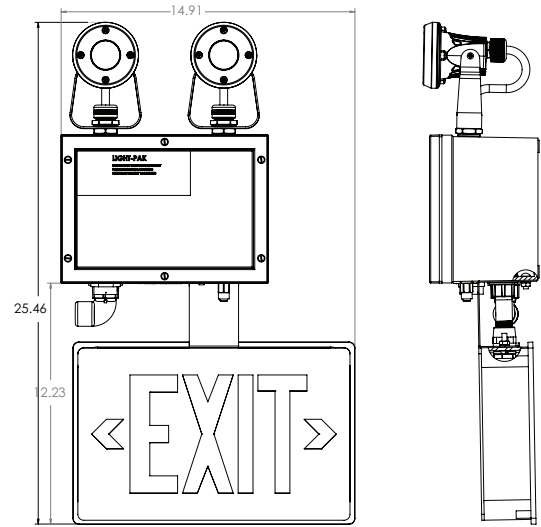
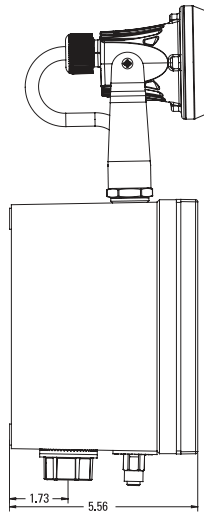
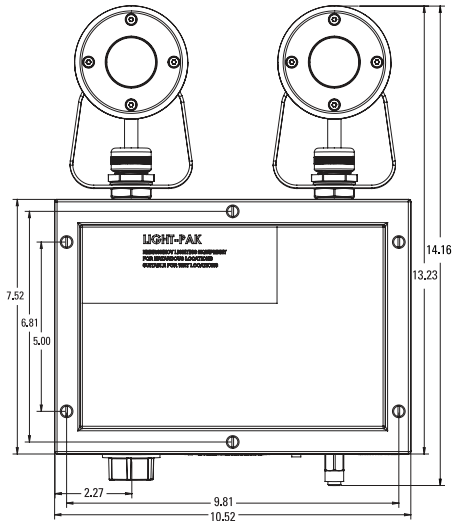
## Weights:

Cat. #	Weight (lbs.)	Weight (kg.)
N2LPSM212222	12.00	7.26
N2LPSM212220	10.00	5.44
N2RFM21221	7.00	3.63
N2RFM21222	8.00	4.08

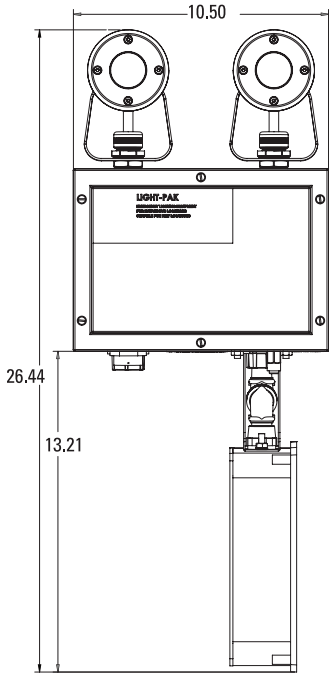
## Detail indication logic:

Status indication	Status description	Status definition
	No light	AC power removed from circuit
*	Steady light (no blinks)	Fully charged or test in process
* - *	Light blinks once	Battery charging
** - **	Light blinks twice	Battery failure
*** - ***	Light blinks three times	Circuit failure
**** - ****	Light blinks four times	Lamp failure

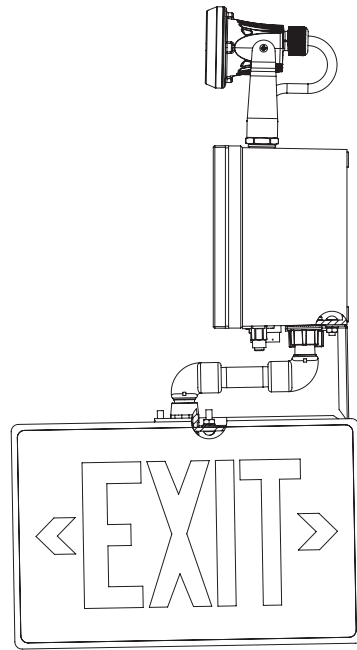
## Dimensions (in inches):



UX71SDHAZ option – single sided



UX72SDHAZ option – double sided



9L