

BALDOR® • RELIANCE

Product Information Packet

L3712T

10HP,1740RPM,1PH,60HZ,215T,3748LC,TEFC,F

Part Detail							
Revision:	M	Status:	PRD/A	Change #:		Proprietary:	No
Type:	AC	Prod. Type:	3748LC	Elec. Spec:	37WGT875	CD Diagram:	CD1084
Enclosure:	TEFC	Mfg Plant:		Mech. Spec:	37M293	Layout:	37LYM293
Frame:	215T	Mounting:	F1	Poles:	04	Created Date:	01-07-2010
Base:	RG	Rotation:	R	Insulation:	F	Eff. Date:	08-10-2016
Leads:	2#10 A PH,2#14 B PH					Replaced By:	
Literature:		Elec. Diagram:					

Nameplate NP1256L										
CAT.NO.	L3712T									
SPEC.	37M293T875									
HP	10									
VOLTS	230									
AMP	38									
RPM	1740									
FRAME	215T				HZ	60			PH	1
SER.F.	1.00			CODE	F	DES	L		CLASS	F
NEMA-NOM-EFF	86.5			PF	98					
RATING	40C AMB-CONT									
CC									USABLE AT 208V	
DE	6307				ODE	6206				
ENCL	TEFC			SN						

AC Induction Motor Performance Data

Record # 37141 - Typical performance - not guaranteed values

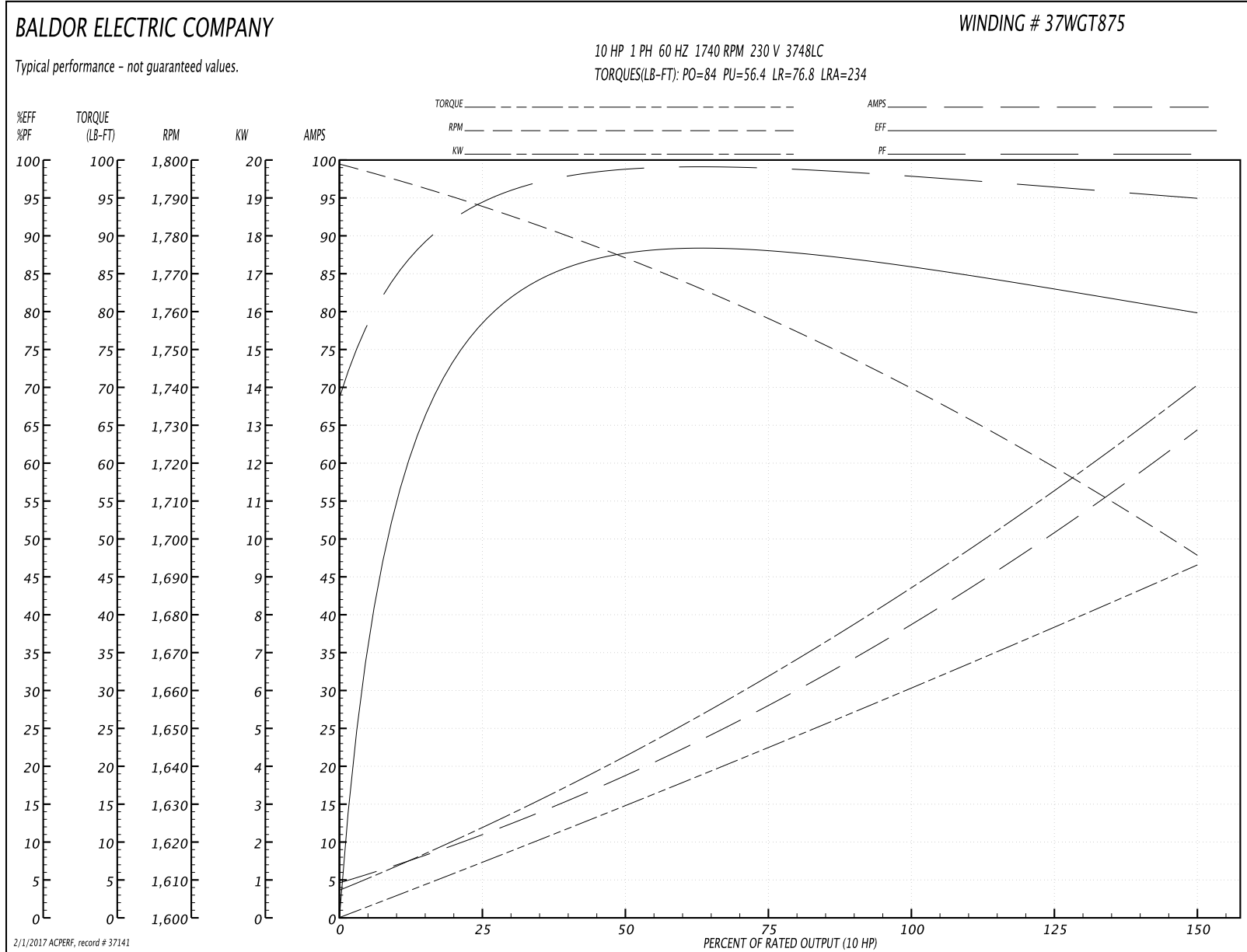
Winding: 37WGT875-R001	Type: 3748LC	Enclosure: TEFC
-------------------------------	---------------------	------------------------

Nameplate Data				230 V, 60 Hz: Single Voltage Motor	
Rated Output (HP)	10			Full Load Torque	29.8 LB-FT
Volts	230			Start Configuration	direct on line
Full Load Amps	38			Breakdown Torque	84 LB-FT
R.P.M.	1740			Pull-up Torque	56.4 LB-FT
Hz	60	Phase	1	Locked-rotor Torque	76.8 LB-FT
NEMA Design Code	L	KVA Code	F	Starting Current	234 A
Service Factor (S.F.)	1			No-load Current	4.37 A
NEMA Nom. Eff.	86.5	Power Factor	98	Line-line Res. @ 25°C	0.17 Ω A Ph 0.488 Ω B Ph
Rating - Duty	40C AMB-CONT			Temp. Rise @ Rated Load	96°C

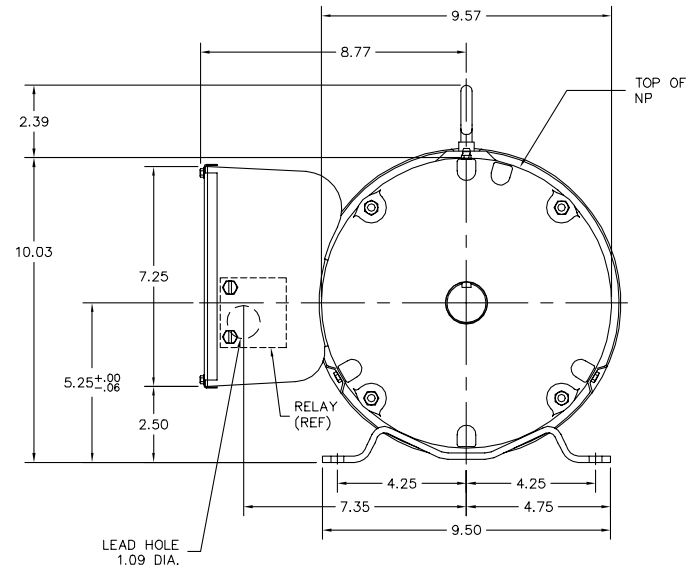
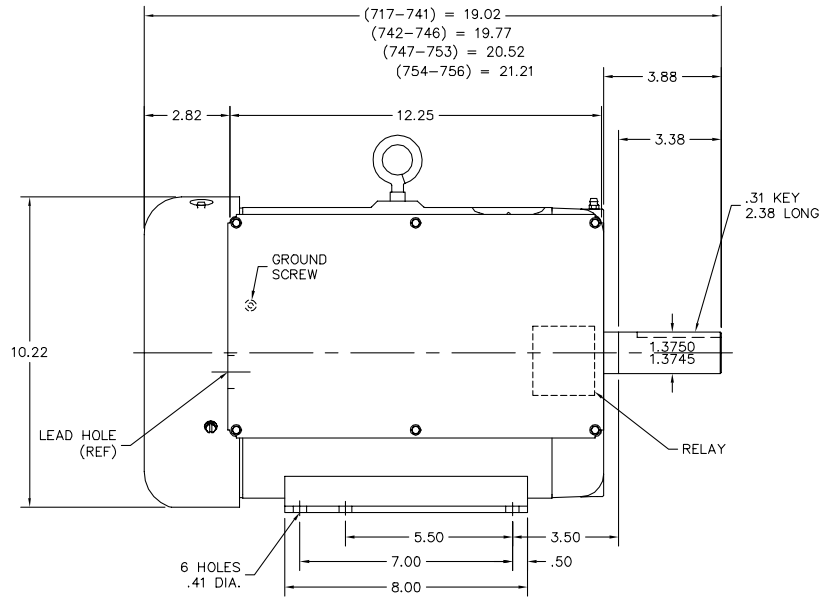
Load Characteristics 230 V, 60 Hz, 10 HP

% of Rated Load	25	50	75	100	125	150
Power Factor	96	98	98	98	97	95
Efficiency	75.4	86.2	87.7	86.8	84.1	79.4
Speed	1788	1775	1759	1741	1720	1696
Line amperes	10.7	18.9	28	37.7	49.1	64.9

Performance Graph at 230V, 60Hz, 10.0HP Typical performance - Not guaranteed values



37LYM293



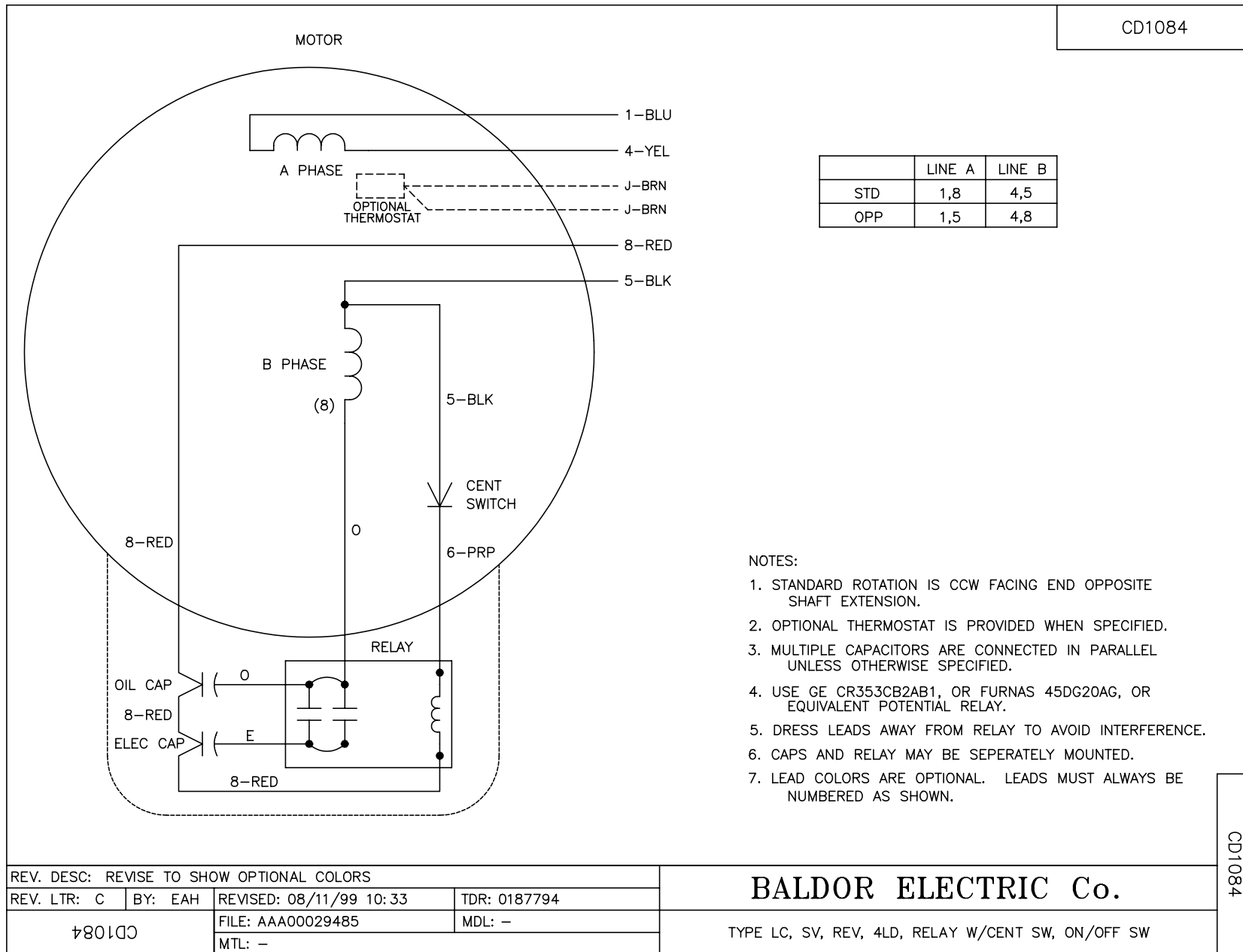
37LYM293

CUSTOMER IS RESPONSIBLE FOR DETERMINING THAT BALDOR'S PRODUCT WILL PERFORM SUITABLY IN THE INTENDED APPLICATION.

REV. DESC: NEW	VERSION: 00	TDR: 000000523997
REV. LTR: -	REVISED: 10:09:18 01/07/2010	BY: ENJOSRO
FILE: \AAA\00168\658		
MTL: -		

BALDOR • DODGE • RELIANCE
 HOR 213-5T TEFC LC 37CB3804,RELAY,FINNED ENDRING,TORQ SWITCH
 SH 1 of 1

CD1084



REV. DESC: REVISE TO SHOW OPTIONAL COLORS			
REV. LTR: C	BY: EAH	REVISED: 08/11/99 10:33	TDR: 0187794
†8010C		FILE: AAA00029485	MDL: -
		MTL: -	

BALDOR ELECTRIC Co.

TYPE LC, SV, REV, 4LD, RELAY W/CENT SW, ON/OFF SW

CD1084