

TERMINAL BOX, TYPE 3R

INDUSTRY STANDARDS

UL 1773 Listed; Type 3R; File No. E256098
 UL 50, 50E Listed; Type 3R; File No. E27525
 cUL Listed per CSA C22.2 No 94; Type 3R; File No. E27525

NEMA/EEMAC Type 3R
 IEC 60529, IP32

APPLICATION

These Terminal Boxes are wire-splice boxes for outdoor commercial and industrial applications that have a feeder tap to branch circuits. & S \ I W E V I E Z E M P E F P I M R X L V I I S W J S V V I M V I G S R ... K Y V E X M S R W M R W M ^

FEATURES

- Drip-shield top and seam-free sides, front and back
- Removable cover
- (M W X V M F Y X M S R P Y K W M R W X E P P I H , Y F S T I R M R K E X X S T [M X L G S Z I V

4 V S Z M W M S R W J S V T E H P S G O M R K S V
 Knockouts on bottom of enclosure
 + V S Y R H M R K T V S Z M W M S R W

SPECIFICATIONS

KEYKI KEPZERM ^ I H W X I I P

FINISH

% 2 7 - K V E] T S P] I W X I V T S [H I V T E M R X ... R M
 KEPZERM ^ I H W X I I P

ACCESSORIES

See also Accessories.
 Touch-Up Paint
 - R X I V G L E R K I E F P I & S P X S R , Y F
 O Y K % W W I Q F P]

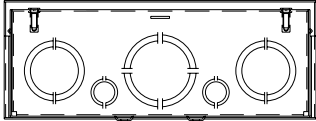
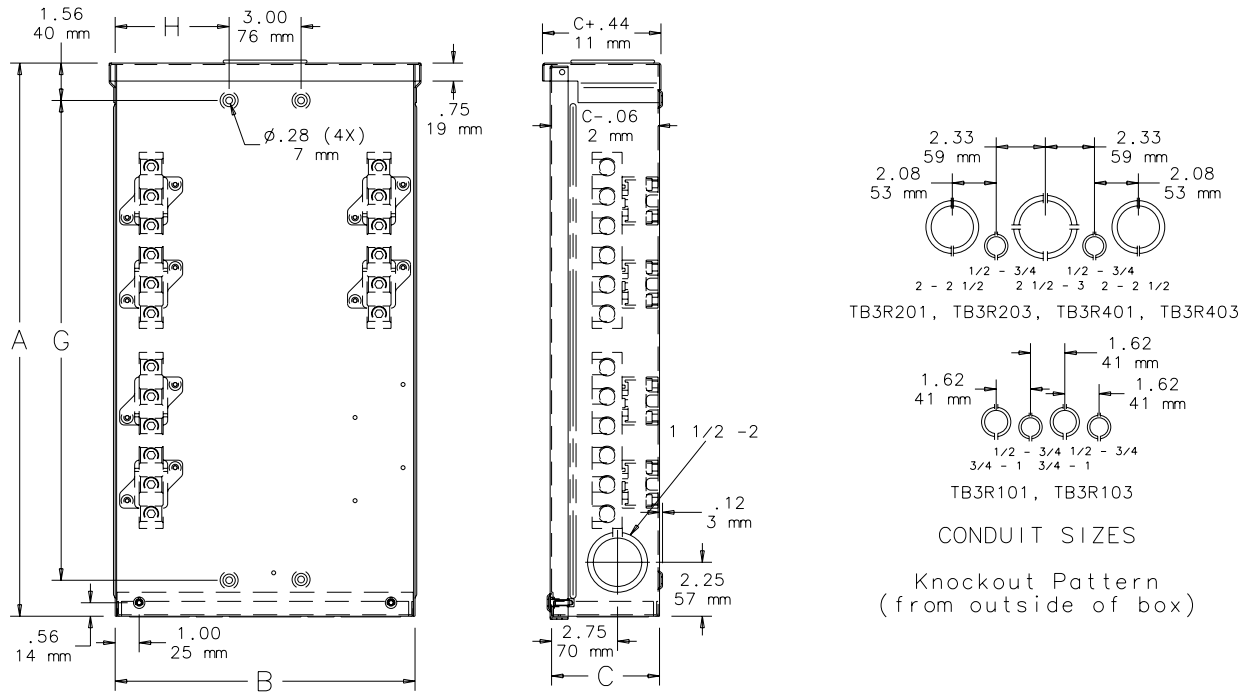
BULLETIN: S90B3

W I I X E F P I J S V W M ^ I W

Standard Product

Catalog Number	AxBxC in./mm	Volts	Phase	Amps	Number of Bars	Wire Range	G in./mm	H in./mm
TB3R101	18.00 x 10.75 x 4.50 457 x 273 x 114	120/240	1Ø	100	3	(6) #14-2/0	15.00 381	3.88 99
TB3R103	18.00 x 10.75 x 4.50 457 x 273 x 114	600	3Ø	100	4	(6) #14-2/0	15.00 381	3.88 99
TB3R103240	18.00 x 10.75 x 4.50 457 x 273 x 114	120/240	3Ø	100	4	(6) #14-2/0	15.00 381	3.88 99
TB3R201	23.00 x 14.00 x 4.50 584 x 356 x 114	120/240	1Ø	200	3	(6) #6-350MCM	20.00 508	5.50 140
TB3R203	23.00 x 14.00 x 4.50 584 x 356 x 114	600	3Ø	200	4	(6) #6-350MCM	20.00 508	5.50 140
TB3R203240	23.00 x 14.00 x 4.50 584 x 356 x 114	120/240	3Ø	200	4	(6) #6-350MCM	20.00 508	5.50 140
TB3R401	27.00 x 20.50 x 6.00 686 x 521 x 152	120/240	1Ø	400	3	(6) #4-600MCM	24.00 610	8.75 222
TB3R403	27.00 x 20.50 x 6.00 686 x 521 x 152	600	3Ø	400	4	(6) #4-600MCM	24.00 610	8.75 222

TB3R401 is UL and cUL for copper conductor only



87790363

INTERCHANGEABLE BOLT-ON HUB



8 S F I Y W I H S R X I V Q M R E P F S \ I W J S V |
X S T S J X L I I R G P S W Y V I J S V G S R H Y M X W W M ^ I W

BULLETTIN: S90B3

Catalog Number	Fits Conduit Size (in.)	Fits Conduit Size (mm)
TBHUB10	1.00	25
TBHUB12	1.25	32
TBHUB15	1.50	38
TBHUB20	2.00	51
TBHUB25	2.50	64

LUG ASSEMBLY



O Y K % W W I Q F P] X E T J I I H I V X S F V E R G L
) E G L E Q T Q E M R P Y K L E W G S T T I V E P Y Q M R Y O
secured to insulators.

BULLETTIN: S90B3

Catalog Number	Wire Range
TBL100	(6) #14-2/0
TBL200	(6) #6-350 MCM
TBL400	(6) #4-600 MCM