



# PAR38 LED Single Optic Lamps with AirFlux Technology

19PAR38/F25 3000 DIM AF SO 6/1

Philips PAR38 LED Single Optic Lamps with AirFlux Technology improves shopping experience with superior lighting aesthetics and optimal thermal efficiency in a sleek, lightweight design.

## Product data

### • General Characteristics

Cap-Base	E26
Bulb	PAR38 [PAR38 mm]
Rated Avg. Life (Hours)	50000 hr
Rated Lifetime (years)	45.7 an

### • Light Technical Characteristics

Color Code	WH
Color Designation	White
Beam Angle	25 D
Beam Description	25D [Medium beam]
Correlated Color Temperature	3000 K
Approx. MBCP	7100 cd
CRI	80
Color Temp. (Kelvin)	3000 K [CCT 3000K]
Rated Luminous Flux	1250 Lm

### • Electrical Characteristics

Wattage	19 W
Wattage Technical	19 W
Voltage	120 V

Line Frequency	60 Hz
Power Factor	0.9 -
Lamp Current mA	182 mA
Dimmable	Yes

### • Measuring Conditions

Switching cycle	20000x
-----------------	--------

### • Product Dimensions

Overall Length C	130 mm
Diameter D	120 mm

### • Product Data

Product number	429092
Full product name	19PAR38/F25 3000 DIM AF SO 6/1
Short product name	19PAR38/F25 3000 DIM AF RO 6/1
Pieces per Sku	1
eop_pck_cfg	6
Skus/Case	6
Bar code on pack	46677429096
Bar code on case	50046677429091
Logistics code(s)	929000247004
eop_net_weight_pp	0.370 kg

- Not for use in totally enclosed luminaires.

## Warnings and Safety

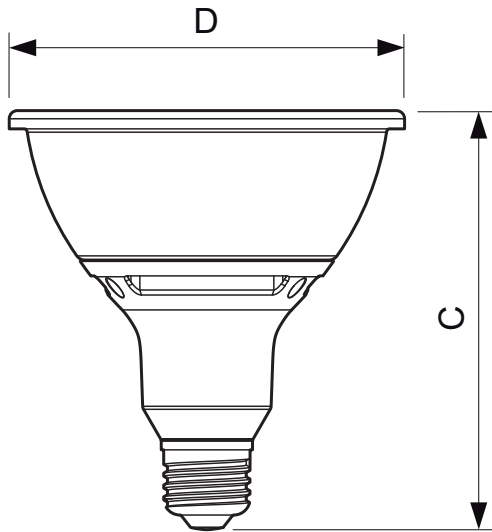
- Suitable for use in damp locations.



**PHILIPS**

# PAR38 LED Single Optic Lamps with AirFlux Technology

## Dimensional drawing



E26

### 19PAR38/F25 3000 DIM AF SO 6/1

Product	C (Norm)	C1 (Max)	D (Norm)	D1 (Norm)
LED 19W E26 3000K PAR38 25D DIM	130	-	120	-



© 2013 Koninklijke Philips N.V. (Royal Philips)  
All rights reserved.

Specifications are subject to change without notice. Trademarks are the property of Koninklijke Philips N.V. (Royal Philips) or their respective owners.

[www.philips.com/lighting](http://www.philips.com/lighting)

2013, October 4  
data subject to change