

FREE-STAND, TYPE 12, SINGLE OR DUAL ACCESS



APPLICATION

Available with front or front and rear access, these Type 12 enclosures offer a variety of mounting options.

SPECIFICATIONS

- 12 gauge steel
- Seams continuously welded and ground smooth; no holes or knockouts
- High-impact thermoplastic data pockets increase rigidity
- Lifting eyes for easy handling
- 3-point latches operated by oil-tight key-locking handle
- Concealed, easy-to-remove hinges
- Data pockets are high-impact thermoplastic
- Internal mounting channels welded horizontally to sides at top, bottom and center
- Optional panels and rack mount angles can be mounted anywhere along channels
- Oil-resistant door gasket
- Bonding provision on door
- EMI/RFI shielding options

To meet GR-63-CORE Zone 4 seismic standards, Free-Stand enclosures must include the following accessories (purchased separately):

For Seismic Free-Stand with Panel

- Seismic Mounting Plate Kit
- Seismic Panel Mounting Kit
- Panel, Full-Length

For Seismic Free-Stand with Rack Angles

- Seismic Mounting Plate Kit
- Rack Mounting Angles - L-Style (Type RP), Full

FINISH

ANSI 61 gray outside and white, polyester powder paint inside. Optional panels available with a white or conductive finish.

ACCESSORIES

- Panels
- Rack Mounting Angles L-Style
- PANELISTE Enclosure Lights
- Floor Stand Kit
- SPECTRACOOOL Indoor/Outdoor
- Seismic Panel Mounting Plate Kits
- Seismic Panel Mounting Kits
- HF Side-Mount Filter Fans
- Steel, Stainless Steel and Non-Metallic Window Kits
- Electric Heaters
- HOL-SEALERS Hole Seals

NOTES

Please visit our Cooling Selection Tool at <https://coolingselection.nvent.com> for more information.

MODIFICATION AND CUSTOMIZATION

For more information, contact your distributor for complete information.

BULLETIN: A30

INDUSTRY STANDARDS

UL 508A Listed; Type 12; File No. E61997  
 cUL Listed per CSA C22.2 No. 94; Type 12; File No. E61997

NEMA/EEMAC Type 12  
 E.I.A. RS310D  
 CSA, File No. 42186, Type 12  
 IEC 60529, IP55

Applicable industry standards only for enclosures with Seismic Accessories:  
 NEBS- Telcordia GR-63-CORE Zone 4, tested with 1000lbs evenly distributed  
 OSHPD Pre-Approval OPM-0247-13

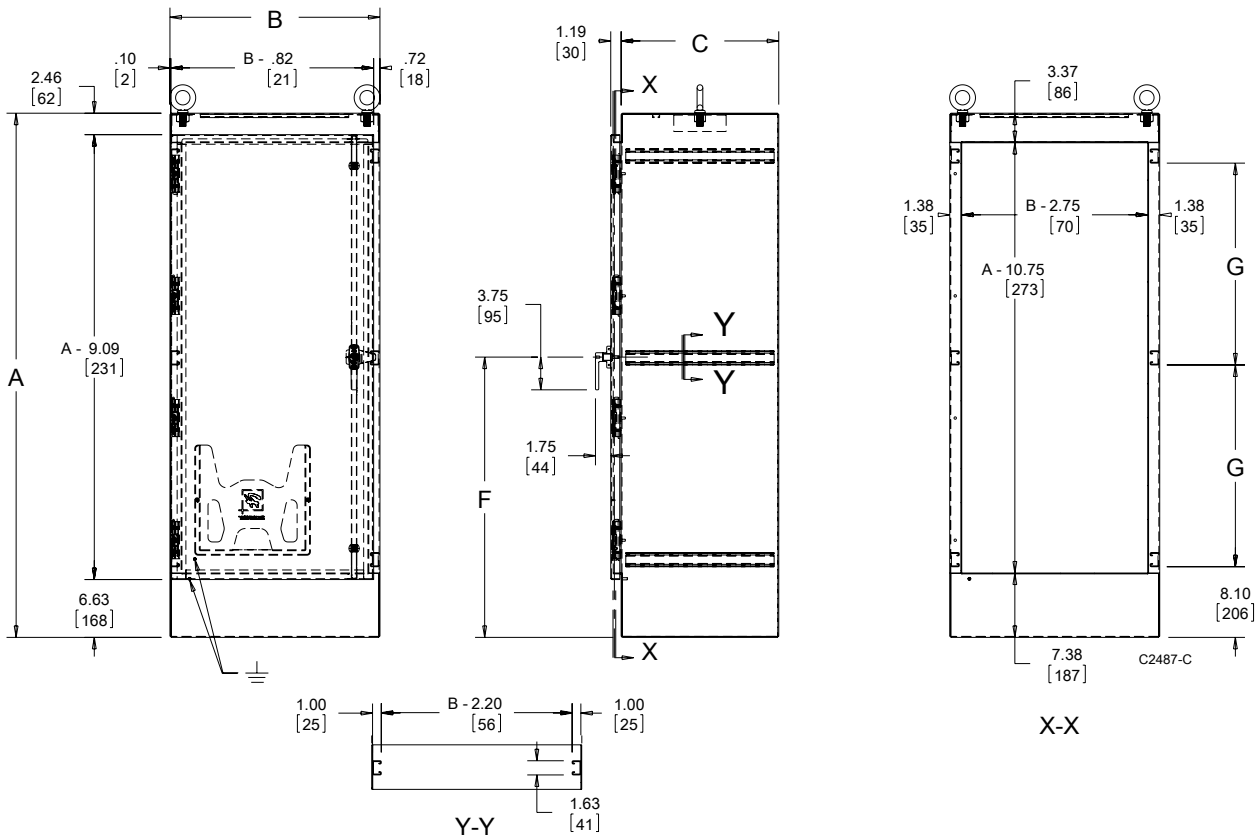
Standard Product **BaXz7bbeFvaZ\_Xz4Wxf**

Catalog Number	AxBxC in.	AxBxC mm	Interior Finish	F (in.)	F (mm)	G (in.)	G (mm)	Number of Lifting Eyes	Number of Rack Units
A602418FSG	60.06 x 24.06 x 18.06	1526 x 611 x 459	Gray	32.03	814	23.12	587	2	28
A602418FS	60.06 x 24.06 x 18.06	1526 x 611 x 459	White	32.03	814	23.12	587	2	28
A722418FSG	72.06 x 24.06 x 18.06	1830 x 611 x 459	Gray	38.03	966	29.12	740	2	35
A722418FS	72.06 x 24.06 x 18.06	1830 x 611 x 459	White	38.03	966	29.12	740	2	35
A723018FSG	72.06 x 30.06 x 18.06	1830 x 764 x 459	Gray	38.03	966	29.12	740	2	35
A723018FS	72.06 x 30.06 x 18.06	1830 x 764 x 459	White	38.03	966	29.12	740	2	35
A723618FSG	72.06 x 36.06 x 18.06	1830 x 916 x 459	Gray	38.03	966	29.12	740	2	35
A723618FS	72.06 x 36.06 x 18.06	1830 x 916 x 459	White	38.03	966	29.12	740	2	35
A902420FSG	90.06 x 24.06 x 20.06	2288 x 611 x 510	Gray	47.03	1195	38.12	968	2	45
A902420FS	90.06 x 24.06 x 20.06	2288 x 611 x 510	White	47.03	1195	38.12	968	2	45
A903620FSG	90.06 x 36.06 x 20.06	2288 x 916 x 510	Gray	47.03	1195	38.12	968	2	45
A903620FS	90.06 x 36.06 x 20.06	2288 x 916 x 510	White	47.03	1195	38.12	968	2	45
A603624FSG	60.06 x 36.06 x 24.06	1526 x 916 x 611	Gray	32.03	814	23.12	587	2	28
A603624FS	60.06 x 36.06 x 24.06	1526 x 916 x 611	White	32.03	814	23.12	587	2	28
A722424FSG	72.06 x 24.06 x 24.06	1830 x 611 x 611	Gray	38.03	966	29.12	740	2	35
A722424FS	72.06 x 24.06 x 24.06	1830 x 611 x 611	White	38.03	966	29.12	740	2	35
A723024FSG	72.06 x 30.06 x 24.06	1830 x 764 x 611	Gray	38.03	966	29.12	740	2	35
A723024FS	72.06 x 30.06 x 24.06	1830 x 764 x 611	White	38.03	966	29.12	740	2	35
A723624FSG	72.06 x 36.06 x 24.06	1830 x 916 x 611	Gray	38.03	966	29.12	740	2	35
A723624FS	72.06 x 36.06 x 24.06	1830 x 916 x 611	White	38.03	966	29.12	740	2	35
A903624FSG	90.06 x 36.06 x 24.06	2288 x 916 x 611	Gray	47.03	1195	38.12	968	2	45
A903624FS	90.06 x 36.06 x 24.06	2288 x 916 x 611	White	47.03	1195	38.12	968	2	45
A723630FSG	72.06 x 36.06 x 30.06	1830 x 916 x 764	Gray	38.03	966	29.12	740	4	35
A723630FS	72.06 x 36.06 x 30.06	1830 x 916 x 764	White	38.03	966	29.12	740	4	35
A723636FSG	72.06 x 36.06 x 36.06	1830 x 916 x 916	Gray	38.03	966	29.12	740	4	35
A723636FS	72.06 x 36.06 x 36.06	1830 x 916 x 916	White	38.03	966	29.12	740	4	35
A903636FSG	90.06 x 36.06 x 36.06	2288 x 916 x 916	Gray	47.03	1195	38.12	968	4	45
A903636FS	90.06 x 36.06 x 36.06	2288 x 916 x 916	White	47.03	1195	38.12	968	4	45

Four lifting eyes are furnished if C = 30.06 (764mm) or more.

Removable 12.00 x 12.00 (305mm x 305mm) data pocket included.

Seismic accessories are available for one-door enclosures.



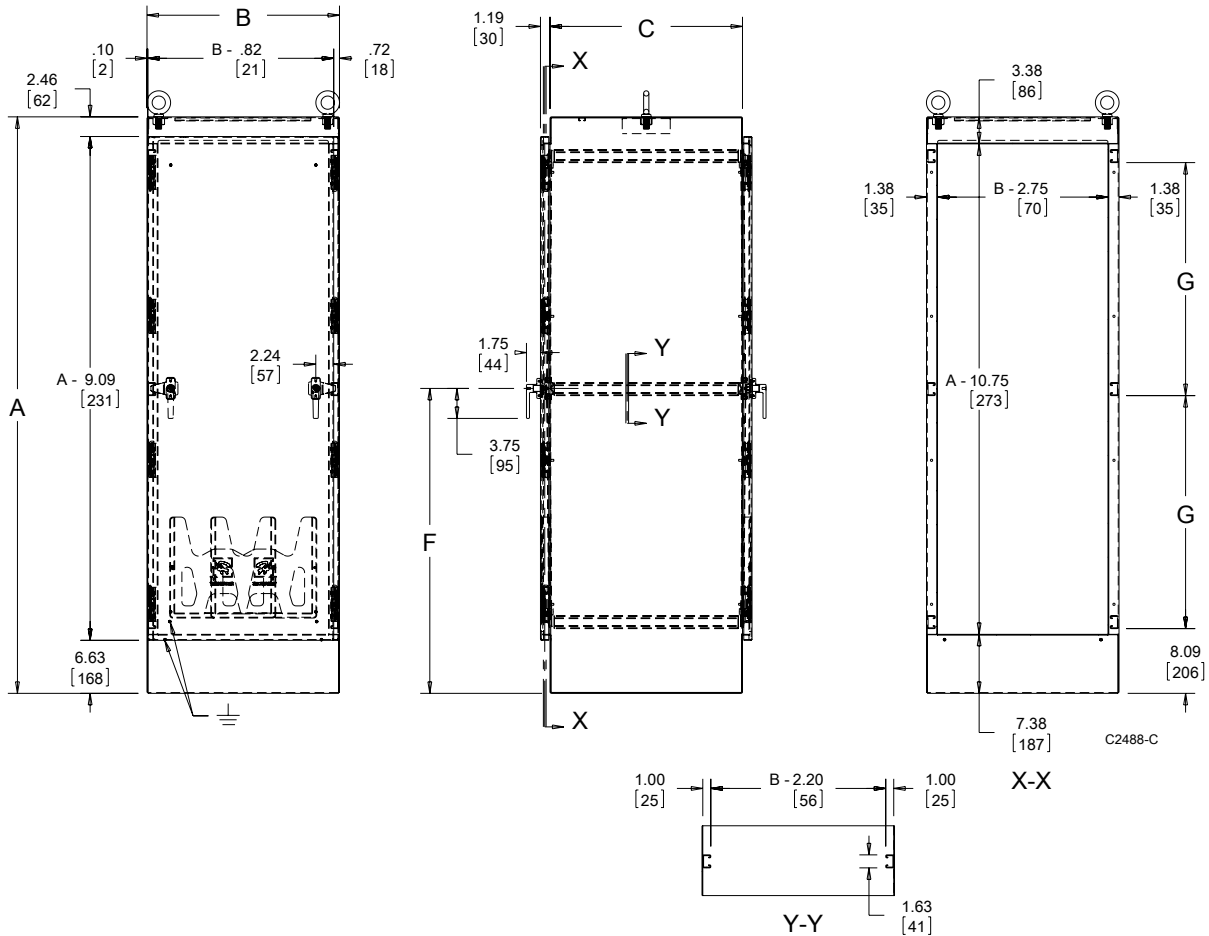
Standard Product **BaXz7bbe7hT\_z4WXff**

Catalog Number	AxBxC in.	AxBxC mm	Interior Finish	F (in.)	F (mm)	G (in.)	G (mm)	Number of Lifting Eyes	Number of Rack Units
A722424FSDAG	72.06 x 24.06 x 24.06	1830 x 611 x 611	Gray	38.03	966	29.12	740	2	35
A722424FSDA	72.06 x 24.06 x 24.06	1830 x 611 x 611	White	38.03	966	29.12	740	2	35
A723024FSDAG	72.06 x 30.06 x 24.06	1830 x 764 x 611	Gray	38.03	966	29.12	740	2	35
A723024FSDA	72.06 x 30.06 x 24.06	1830 x 764 x 611	White	38.03	966	29.12	740	2	35
A723624FSDAG	72.06 x 36.06 x 24.06	1830 x 916 x 611	Gray	38.03	966	29.12	740	2	35
A723624FSDA	72.06 x 36.06 x 24.06	1830 x 916 x 611	White	38.03	966	29.12	740	2	35
A903624FSDAG	90.06 x 36.06 x 24.06	2288 x 916 x 611	Gray	47.03	1195	38.12	968	2	45
A903624FSDA	90.06 x 36.06 x 24.06	2288 x 916 x 611	White	47.03	1195	38.12	968	2	45
A722430FSDAG	72.06 x 24.06 x 30.06	1830 x 611 x 764	Gray	38.03	966	29.12	740	4	35
A722430FSDA	72.06 x 24.06 x 30.06	1830 x 611 x 764	White	38.03	966	29.12	740	4	35
A722436FSDAG	72.06 x 24.06 x 36.06	1830 x 611 x 916	Gray	38.03	966	29.12	740	4	35
A722436FSDA	72.06 x 24.06 x 36.06	1830 x 611 x 916	White	38.03	966	29.12	740	4	35
A723636FSDAG	72.06 x 36.06 x 36.06	1830 x 916 x 916	Gray	38.03	966	29.12	740	4	35
A723636FSDA	72.06 x 36.06 x 36.06	1830 x 916 x 916	White	38.03	966	29.12	740	4	35
A903636FSDAG	90.06 x 36.06 x 36.06	2288 x 916 x 916	Gray	47.03	1195	38.12	968	4	45
A903636FSDA	90.06 x 36.06 x 36.06	2288 x 916 x 916	White	47.03	1195	38.12	968	4	45

Four lifting eyes are furnished if C = 30.06 (764mm) or more.

Removable 12.00 x 12.00 (305mm x 305mm) data pocket.

Seismic accessories are available for one-door enclosures.



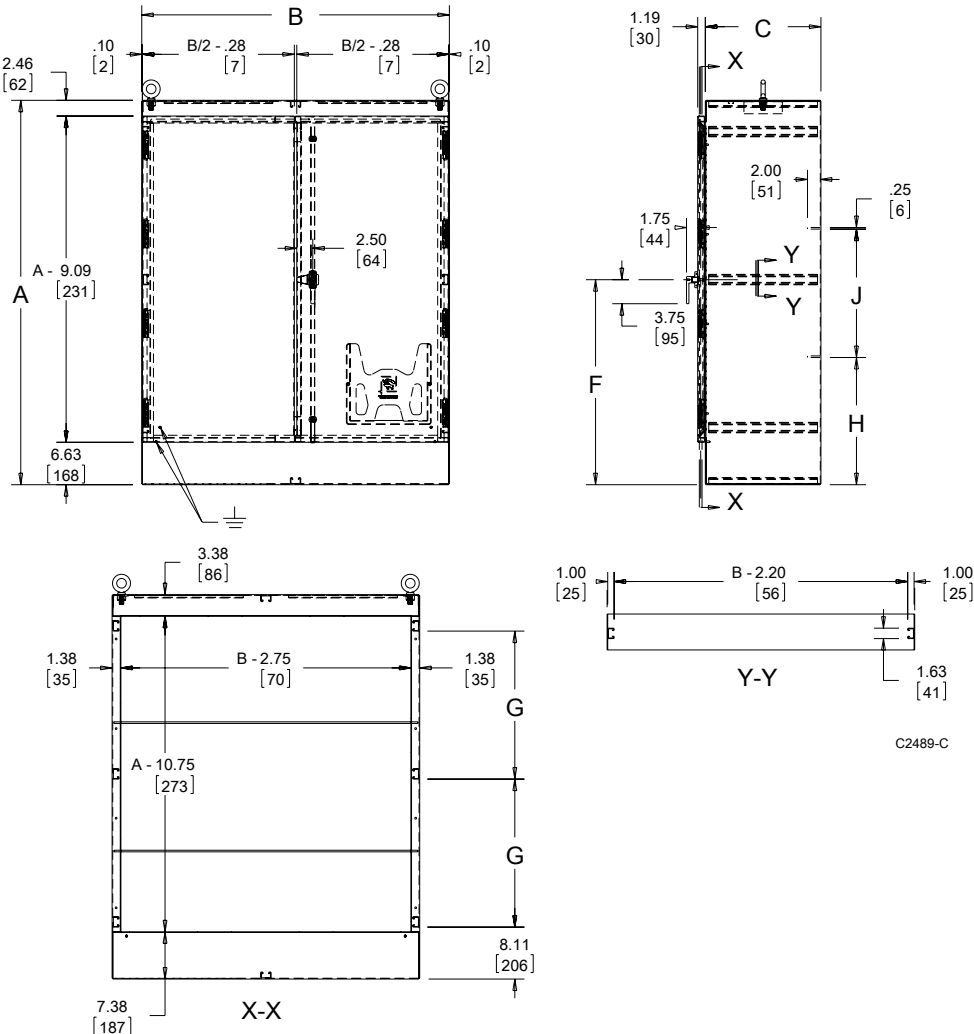
Standard Product **G** b7bbeeFvAz\_Xz4Wxf f

Catalog Number	AxBxC in.	AxBxC mm	Interior Finish	F (in.)	F (mm)	G (in.)	G (mm)	H (in.)	H (mm)	J (in.)	J (mm)	Number of Lifting Eyes	Number of Rack Units
A604818FSDG	60.06 x 48.06 x 18.06	1526 x 1221 x 459	Gray	32.03	814	23.12	587	19.88	505	20.03	509	2	28
A604818FSD	60.06 x 48.06 x 18.06	1526 x 1221 x 459	White	32.03	814	23.12	587	19.88	505	20.03	509	2	28
A724818FSDG	72.06 x 48.06 x 18.06	1830 x 1221 x 459	Gray	38.03	966	29.12	740	23.88	607	24.03	610	2	35
A724818FSD	72.06 x 48.06 x 18.06	1830 x 1221 x 459	White	38.03	966	29.12	740	23.88	607	24.03	610	2	35
A726018FSDG	72.06 x 60.06 x 18.06	1830 x 1526 x 459	Gray	38.03	966	29.12	740	23.88	607	24.03	610	2	35
A726018FSD	72.06 x 60.06 x 18.06	1830 x 1526 x 459	White	38.03	966	29.12	740	23.88	607	24.03	610	2	35
A727218FSDG	72.06 x 72.06 x 18.06	1830 x 1830 x 459	Gray	38.03	966	29.12	740	23.88	607	24.03	610	2	35
A727218FSD	72.06 x 72.06 x 18.06	1830 x 1830 x 459	White	38.03	966	29.12	740	23.88	607	24.03	610	2	35
A904820FSDG	90.06 x 48.06 x 20.06	2288 x 1221 x 510	Gray	47.03	1195	38.12	968	29.88	759	30.03	763	2	45
A904820FSD	90.06 x 48.06 x 20.06	2288 x 1221 x 510	White	47.03	1195	38.12	968	29.88	759	30.03	763	2	45
A907220FSDG	90.06 x 72.06 x 20.06	2288 x 1830 x 510	Gray	47.03	1195	38.12	968	29.88	759	30.03	763	2	45
A907220FSD	90.06 x 72.06 x 20.06	2288 x 1830 x 510	White	47.03	1195	38.12	968	29.88	759	30.03	763	2	45
A724824FSDG	72.06 x 48.06 x 24.06	1830 x 1221 x 611	Gray	38.03	966	29.12	740	23.88	607	24.03	610	2	35
A724824FSD	72.06 x 48.06 x 24.06	1830 x 1221 x 611	White	38.03	966	29.12	740	23.88	607	24.03	610	2	35
A726024FSDG	72.06 x 60.06 x 24.06	1830 x 1526 x 611	Gray	38.03	966	29.12	740	23.88	607	24.03	610	2	35
A726024FSD	72.06 x 60.06 x 24.06	1830 x 1526 x 611	White	38.03	966	29.12	740	23.88	607	24.03	610	2	35
A727224FSDG	72.06 x 72.06 x 24.06	1830 x 1830 x 611	Gray	38.03	966	29.12	740	23.88	607	24.03	610	2	35
A727224FSD	72.06 x 72.06 x 24.06	1830 x 1830 x 611	White	38.03	966	29.12	740	23.88	607	24.03	610	2	35
A907224FSDG	90.06 x 72.06 x 24.06	2288 x 1830 x 611	Gray	47.03	1195	38.12	968	29.88	759	30.03	763	2	45
A907224FSD	90.06 x 72.06 x 24.06	2288 x 1830 x 611	White	47.03	1195	38.12	968	29.88	759	30.03	763	2	45
A726036FSDG	72.06 x 60.06 x 36.06	1830 x 1526 x 916	Gray	38.03	966	29.12	740	23.88	607	24.03	610	4	35
A726036FSD	72.06 x 60.06 x 36.06	1830 x 1526 x 916	White	38.03	966	29.12	740	23.88	607	24.03	610	4	35
A907236FSDG	90.06 x 72.06 x 36.06	2288 x 1830 x 916	Gray	47.03	1195	38.12	968	29.88	759	30.03	763	4	45
A907236FSD	90.06 x 72.06 x 36.06	2288 x 1830 x 916	White	47.03	1195	38.12	968	29.88	759	30.03	763	4	45

Four lifting eyes are furnished if C = 30.06 (764mm) or more.

Removable 12.00 x 12.00 (305mm x 305mm) data pocket.

Seismic accessories are not applicable for two-door enclosures.



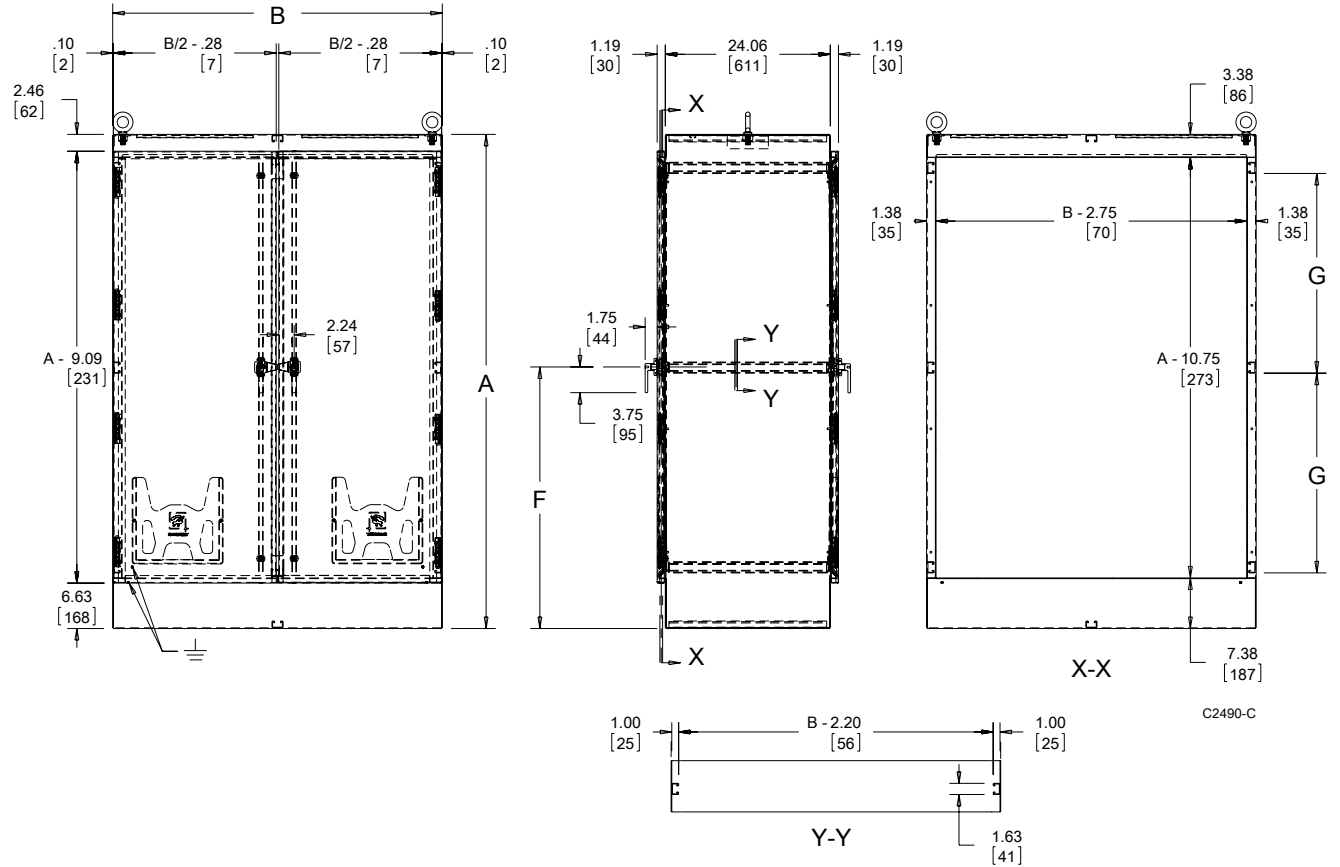
Standard Product **G** b7bbe7ht\_4WXff

Catalog Number	AxBxC in.	AxBxC mm	Interior Finish	F (in.)	F (mm)	G (in.)	G (mm)	Number of Lifting Eyes	Number of Rack Units
A724824FSDADG	72.06 x 48.06 x 24.06	1830 x 1221 x 611	Gray	38.03	966	29.12	740	2	35
A724824FSDAD	72.06 x 48.06 x 24.06	1830 x 1221 x 611	White	38.03	966	29.12	740	2	35
A726024FSDADG	72.06 x 60.06 x 24.06	1830 x 1526 x 611	Gray	38.03	966	29.12	740	2	35
A726024FSDAD	72.06 x 60.06 x 24.06	1830 x 1526 x 611	White	38.03	966	29.12	740	2	35
A727224FSDADG	72.06 x 72.06 x 24.06	1830 x 1830 x 611	Gray	38.03	966	29.12	740	2	35
A727224FSDAD	72.06 x 72.06 x 24.06	1830 x 1830 x 611	White	38.03	966	29.12	740	2	35
A726036FSDADG	72.06 x 60.06 x 36.06	1830 x 1526 x 916	Gray	38.03	966	29.12	740	4	35
A726036FSDAD	72.06 x 60.06 x 36.06	1830 x 1526 x 916	White	38.03	966	29.12	740	4	35
A907224FSDADG	90.06 x 72.06 x 24.06	2288 x 1830 x 611	Gray	47.03	1195	38.12	968	2	45
A907224FSDAD	90.06 x 72.06 x 24.06	2288 x 1830 x 611	White	47.03	1195	38.12	968	2	45

Four lifting eyes are furnished if C = 30.06 (764mm) or more.

Removable 12.00 x 12.00 (305mm x 305mm) data pocket.

Seismic accessories are not applicable for two-door enclosures.



## Notes

**SEISMIC ACCESSORIES**



To meet GR-63-CORE Zone 4 seismic standards, Free-Stand enclosures must include the following accessories (purchased separately):

For Seismic Free-Stand with Panel

- Seismic Mounting Plate Kit
- Seismic Panel Mounting Kit
- Panel, Full-Length

For Seismic Free-Stand with Rack Angles

- Seismic Mounting Plate Kit
- Rack Mounting Angles - L-Style (Type RP), Full

**SEISMIC MOUNTING PLATE KITS**



Mounting plates come predrilled to accept 1/2-in., 5/8-in. or 3/4-in. diameter mounting holes in the base of the enclosure. The mounting plates come predrilled to accept 1/2-in., 5/8-in. or 3/4-in. diameter mounting holes in the base of the enclosure. The mounting plates come predrilled to accept 1/2-in., 5/8-in. or 3/4-in. diameter mounting holes in the base of the enclosure.

BULLETIN: DCY

Standard Product

Catalog Number	Description	Anchor Size
ASMP12SS	Seismic Mounting Plate, 1/2-in.	1/2 in.
ASMP58SS	Seismic Mounting Plate, 5/8-in.	5/8 in.
ASMP34SS	Seismic Mounting Plate, 3/4-in.	3/4 in.

**SEISMIC PANEL MOUNTING KITS**



Kit of two (2) panel supports install within the enclosure. Use mounting hardware furnished within these kits along with panel hardware to mount full panels.

BULLETIN: DCY

Standard Product

Catalog Number	Description	Fits Enclosure A in./mm
ASPANKIT60	Seismic Panel Mounting Kit, 60-in.	60 1524
ASPANKIT72	Seismic Panel Mounting Kit, 72-in.	72 1829
ASPANKIT90	Seismic Panel Mounting Kit, 90-in.	90 2286

PANELS



Full panels mount within the enclosure using seismic panel  
bulletin PH 763.422.2211. The panels are available in steel or aluminum with a polyester power paint or a conductive, corrosion resistant coating.  
BULLETIN: PNL30

Standard Product

Catalog Number	Description	Panel Size in./mm	Fits Enclosure A x B in./mm
A60P24F1	Steel	48.00 x 20.00 1219 x 508	60.00 x 24.00 1524 x 610
A60P24F1G	Conductive	48.00 x 20.00 1219 x 508	60.00 x 24.00 1524 x 610
A90P24F1	Steel	78.00 x 20.00 1981 x 508	90.00 x 24.00 90.00 x 24.00
A72P24F1	Steel	60.00 x 20.00 1524 x 508	72.00 x 24.00 1829 x 610
A72P24F1G	Conductive	60.00 x 20.00 1524 x 508	72.00 x 24.00 1829 x 610
A90P24F1G	Conductive	78.00 x 20.00 1981 x 508	90.00 x 24.00 90.00 x 24.00
A72P30F1	Steel	60.00 x 26.00 1524 x 660	72.00 x 30.00 1829 x 762
A72P30F1G	Conductive	60.00 x 26.00 1524 x 660	72.00 x 30.00 1829 x 762
A60P36F1	Steel	48.00 x 32.00 1219 x 813	60.00 x 36.00 1524 x 914
A60P36F1G	Conductive	48.00 x 32.00 1219 x 813	60.00 x 36.00 1524 x 914
A60P48F1	Steel	48.00 x 42.00 1219 x 1118	60.00 x 48.00 1524 x 1219
A72P36F1	Steel	60.00 x 32.00 1524 x 813	72.00 x 36.00 1829 x 914
A72P36F1G	Conductive	60.00 x 32.00 1524 x 813	72.00 x 36.00 1829 x 914
A90P36F1	Steel	78.00 x 32.00 1981 x 813	90.00 x 36.00 2286 x 914
A90P36F1G	Conductive	78.00 x 32.00 1981 x 813	90.00 x 36.00 2286 x 914