

# **BALDOR**® • ***RELIANCE***

## **Product Information Packet**

# **VEM3542**

**.75HP,1750RPM,3PH,60HZ,56C,3517M,TEFC,F1**

Part Detail							
Revision:	V	Status:	PRD/A	Change #:		Proprietary:	No
Type:	AC	Prod. Type:	3516M	Elec. Spec:	35WGP667	CD Diagram:	CD0005
Enclosure:	TEFC	Mfg Plant:		Mech. Spec:	35J302	Layout:	35LYJ302
Frame:	56C	Mounting:	F1	Poles:	04	Created Date:	01-15-2008
Base:	N	Rotation:	R	Insulation:	F	Eff. Date:	09-16-2016
Leads:	9#18					Replaced By:	
Literature:		Elec. Diagram:					

Nameplate NP2116L	
CAT.NO.	VEM3542
SPEC.	35J302P667G1
HP	.75
VOLTS	230/460
AMP	2.28/1.14
RPM	1750
FRAME	56C
	HZ 60
	PH 3
SER.F.	1.25
	CODE M
	DES B
	CL F
NEMA-NOM-EFF	84
	PF 73
RATING	40C AMB-CONT
CC	USABLE AT 208V 2.48
DE	6205
	ODE 6203
ENCL	TEFC
	SN
	SFA 2.64/1.32

**AC Induction Motor Performance Data**

Record # 25206 - Typical performance - not guaranteed values

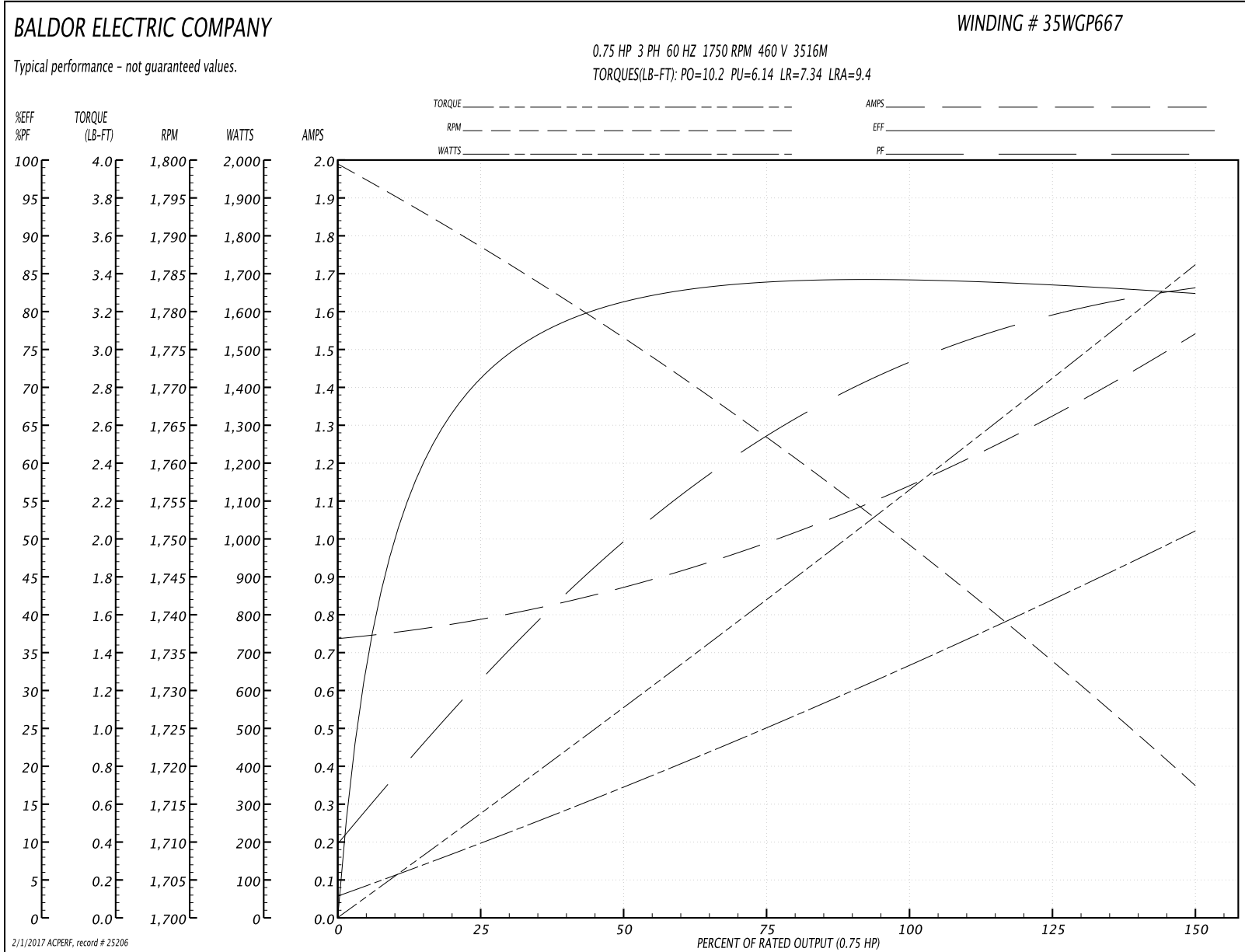
<b>Winding:</b> 35WGP667-R001	<b>Type:</b> 3516M	<b>Enclosure:</b> TEFC
-------------------------------	--------------------	------------------------

Nameplate Data				460 V, 60 Hz: High Voltage Connection	
Rated Output (HP)	.75			Full Load Torque	2.225 LB-FT
Volts	230/460			Start Configuration	direct on line
Full Load Amps	2.28/1.14			Breakdown Torque	10.2 LB-FT
R.P.M.	1750			Pull-up Torque	6.14 LB-FT
Hz	60	Phase	3	Locked-rotor Torque	7.34 LB-FT
NEMA Design Code	B	KVA Code	M	Starting Current	9.4 A
Service Factor (S.F.)	1.25			No-load Current	0.743 A
NEMA Nom. Eff.	84	Power Factor	73	Line-line Res. @ 25°C	22.3 Ω
Rating - Duty	40C AMB-CONT			Temp. Rise @ Rated Load	30°C
S.F. Amps	2.64/1.32			Temp. Rise @ S.F. Load	39°C
				Locked-rotor Power Factor	64.8
				Rotor inertia	0.0946 LB-FT <sup>2</sup>

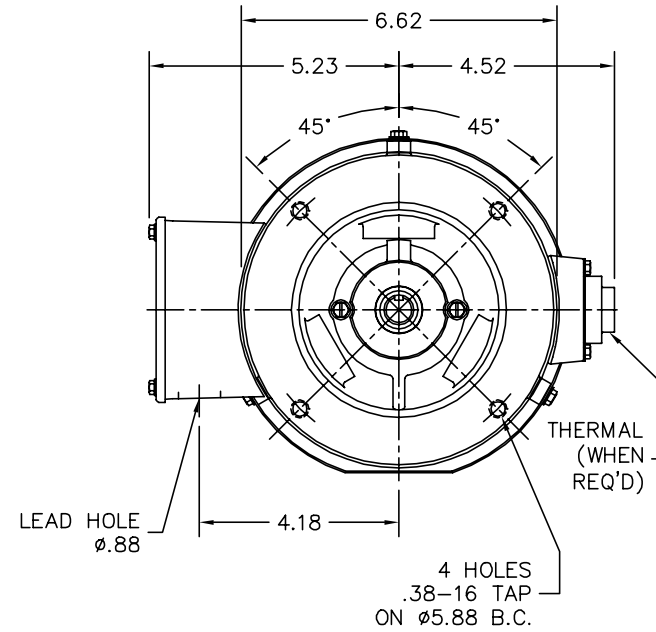
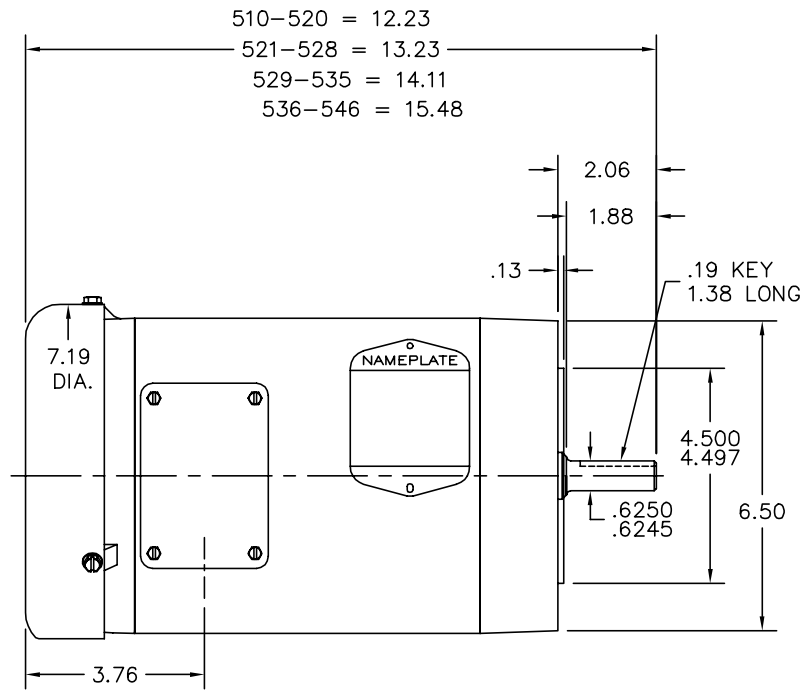
Load Characteristics 460 V, 60 Hz, 0.75 HP

% of Rated Load	25	50	75	100	125	150	S.F.
Power Factor	32	49	63	72	79	84	80
Efficiency	69.5	80.4	83.8	84.4	84.1	82.1	84
Speed	1790	1777	1763	1750	1735	1717	1738
Line amperes	0.778	0.863	0.986	1.14	1.32	1.54	1.32

Performance Graph at 460V, 60Hz, 0.75HP Typical performance - Not guaranteed values



35LYJ302



CUSTOMER IS RESPONSIBLE FOR DETERMINING THAT BALDOR'S PRODUCT WILL PERFORM SUITABLY IN THE INTENDED APPLICATION.

REV. DESC: UPDATE DRWG PARTS			
REV. LTR: C	VERSION: 02	TDR: 000000738205	
FILE: \AAA\00041\631		REVISED: 02:09:50 03/15/2012	
MTL: -		BY: ENBENBO	

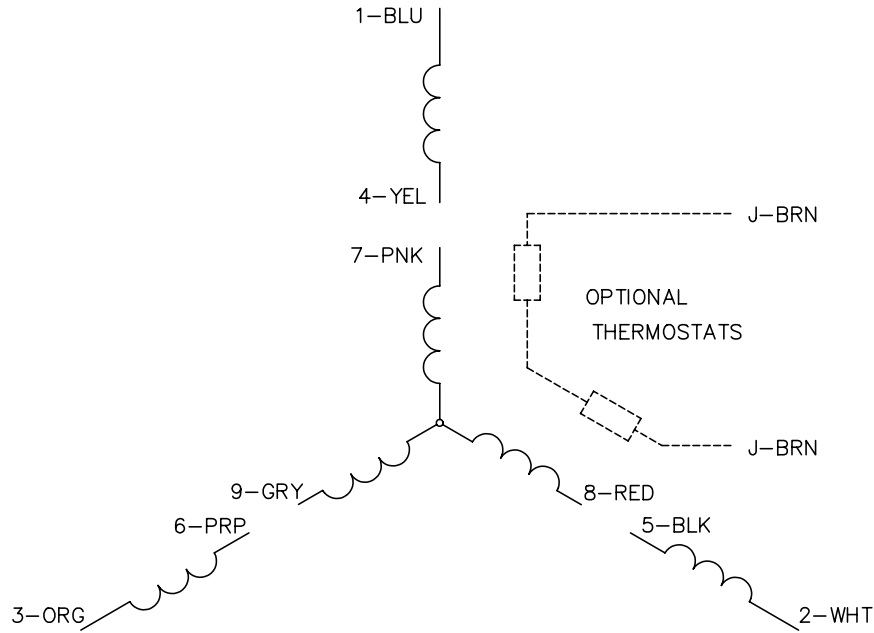
**BALDOR**

VERT 56C TEFC 35M SUPER-E

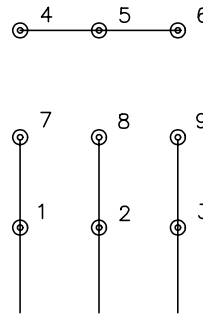
SH 1 of 1

35LYJ302

CD0005

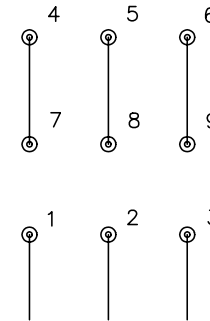


LOW VOLTAGE  
(2Y)



LINE

HIGH VOLTAGE  
(1Y)



LINE

NOTES:

1. INTERCHANGE ANY TWO LINE LEADS TO REVERSE ROTATION.
2. OPTIONAL THERMOSTATS ARE PROVIDED WHEN SPECIFIED.
3. ACTUAL NUMBER OF INTERNAL PARALLEL CIRCUITS MAY BE A MULTIPLE OF THOSE SHOWN ABOVE.
4. LEAD COLORS ARE OPTIONAL. LEADS MUST ALWAYS BE NUMBERED AS SHOWN.

REV. DESC: REVISE TO SHOW OPTIONAL COLORS

REV. LTR: E BY: JLP

REVISED: 01/19/99 10:15

TDR: 0171435

90000

FILE: AAA00005140

MDL: -

MTL: -

**BALDOR ELECTRIC Co.**

3PH, DV, 9 LEADS

CD0005