

Phuzion™
LED High Bay
Wet location listed



Catalog Number	
Notes	Type

Description

The Phuzion LED luminaire takes high-bay lighting to new levels of lumen output and temperature tolerance. By marrying the latest in LED technology with the legendary illuminating dynamics of HoloPhane's prismatic glass, the Phuzion high bay delivers unparalleled performance and reliability. Phuzion is highly versatile and can be installed with the optics facing down or inverted for maximum uplight.

Optics

- Prismatic borosilicate glass maintains highest levels of luminosity over time.
- Glass doesn't fade, discolor or otherwise degrade in harsh environments.
- Six distributions available to achieve results from any mounting height.
- Prismatic optics combined with high efficiency LED's achieve maximum spacing and superior uniformity.
- IP65 rated optics.
- Injection molded acrylic lens available, see optics.
- Optional non-silicone gaskets, ideal for automotive production.
- Certain airborne contaminants can diminish the integrity of acrylic and/or polycarbonate. [Click here for Acrylic-Polycarbonate Compatibility table for suitable uses.](#)
- Certain airborne contaminants may adversely affect the functioning of LEDs and other electronic components, depending on various factors such as concentrations of the contaminants, ventilation, and temperature at the end-user location. [Click here for a list of substances that may not be suitable for interaction with LEDs and other electronic components.](#)

Mechanical

- Robust cast aluminum housing with low copper content (0.6% CU content) withstands hot and dirty environments.
- Exterior parts are protected by a zinc infused Super Durable TGIC thermoset powder that provides superior resistance to corrosion.
- Pendant mount standard.
- IP64 rated.

Typical Applications

- Heavy industrial
- Manufacturing
- Warehousing
- Large indoor
- Natatorium

Electrical

- 0-10V dimming driver is standard (must specify the D option to enable dimming).
- Luminaire Surge Protection Level: Designed to withstand up to 10kV/5kA per ANSI C82.77-5-2015.
- 70, 80, 90 CRI available.
- 3000K, 3500K, 4000K or 5000K CCT available.
- Aluminum core printed circuit board.
- Dynamic temperature sensing is standard to protect the electronic components in the event the maximum operating ambient temperature is exceeded.

Listings

- -40°F (-40°C) to 158°F (70°C).
- CSA Certified for use in wet locations.
- DesignLights Consortium® (DLC) Premium qualified product and DLC qualified product. Not all versions of this product may be DLC Premium qualified or DLC qualified. Please check the DLC Qualified Products List at www.designlights.org/QPL to confirm which versions are qualified.

Warranty

5-year limited warranty. Complete warranty terms located at: www.acuitybrands.com/CustomerResources/Terms_and_Conditions.aspx

NOTE: Actual performance may differ as a result of end-user environment and application.

All values are design or typical values, measured under laboratory conditions at 25 °C.

Specifications subject to change without notice.

Dimensions: Inches (millimeters) unless otherwise noted.

Diameter: 21.22 (538.99)
Height: 19.02-23.46 (483.11-595.88)
Weight: 33-38 lbs. (15.0-17.2 kg)

A+ Capable Luminaire

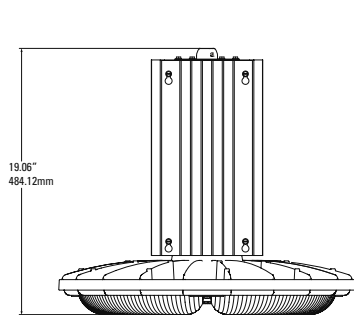
This item is an A+ capable luminaire, which has been designed and tested to provide consistent color appearance and out-of-the-box control compatibility with simple commissioning.

- All configurations of this luminaire meet the Acuity Brands' specification for chromatic consistency
- This luminaire is part of an A+ Certified solution for nLight® or XPoint™ Wireless control networks marked by a shaded background*

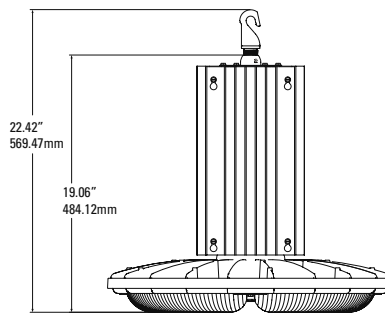
To learn more about A+, visit www.acuitybrands.com/aplus.

*See ordering tree for details

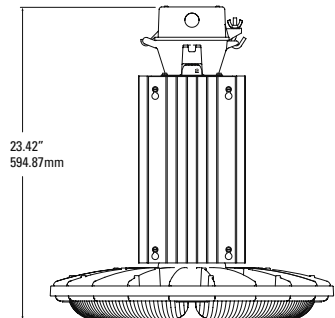
DIMENSIONAL DATA



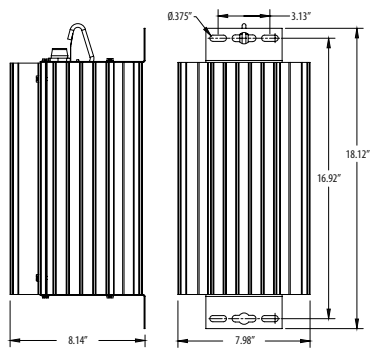
Pendant (P)



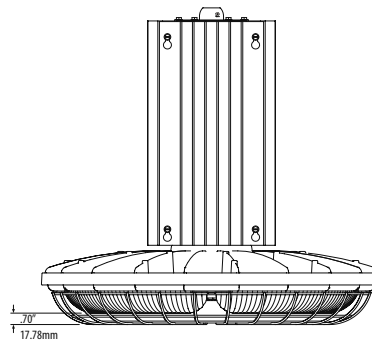
Hook (PF-129)



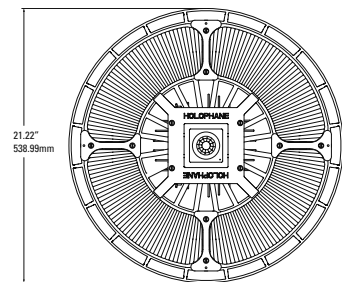
Quick Disconnect (Q)



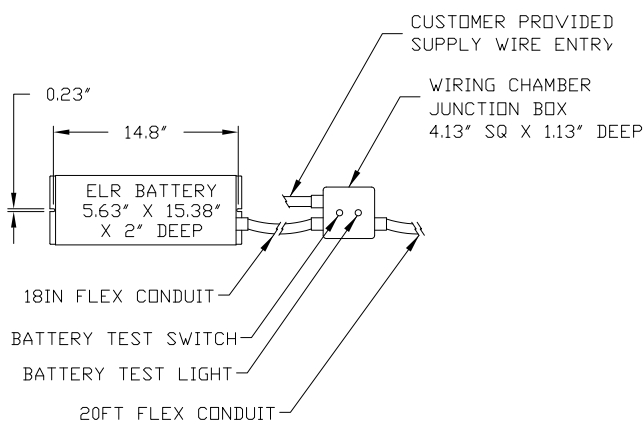
ELRC Emergency Remote Bodine BSL722C



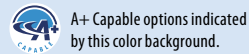
Wire Guard (WG)



Diameter



LUMINAIRE WITH ELR OPTION



ORDERING INFORMATION

Example: PHZ 45L 4K 80CRI AS P G W

Series	Lumens ¹	Color temperature	Color rendering index	Voltage	Mounting	Finish
PHZ	12L 12,000 nominal lumens	3K 3000K CCT	70CRI	AS Auto sensing (120-277)	AH Auto sensing (347/480)	P Pendant
	18L 18,000 nominal lumens	35K 3500K CCT	80CRI	12 120V	34 347V	Q Quick disconnect ²
	24L 24,000 nominal lumens	4K 4000K CCT	90CRI	20 208V	48 480V	N Non-disconnect thru-wiring ²
	30L 30,000 nominal lumens	5K 5000K CCT		24 240V		QR Quick disconnect retrofit ²
	35L 35,000 nominal lumens			27 277V		NR Non-disconnect thru-wiring retrofit ²
	40L 40,000 nominal lumens					
	45L 45,000 nominal lumens					
	50L 50,000 nominal lumens					
60L 60,000 nominal lumens						W White super durable G Gray super durable K Black super durable L Satin nickel super durable H Graphite super durable

Optics		Options	
N	Narrow	Non-Dimming Sensors: ³	
N FR	Narrow Frosted	MSE6NWL	360° motion sensor embedded, high bay 15-45 ft., on/off.
M	Medium	MSE10NWL	360° motion sensor embedded, high bay 8-15 ft., on/off.
M FR	Medium Frosted	MSE6NWL DSCNWL	Photocell with two selectable modes of operation. Defaults to on/off mode. Photocell has full control during periods of occupancy. High bay 15-45 ft.
W	Wide	MSE10NWL DSCNWL	Photocell with two selectable modes of operation. Defaults to on/off mode. Photocell has full control during periods of occupancy. High bay 8-15 ft.
W FR	Wide Frosted		
NA	Narrow Acrylic	Dimming Sensors: ^{3,4}	
WA	Wide Acrylic	MSE62L3VWL	360° motion sensor embedded, high bay 15-45 ft., on/off with second time-out period, goes to a dimmed state before turning off. ⁹
F	Focus		
F FR	Focus Frosted	MSE102L3VWL	360° motion sensor embedded, low bay 8-15 ft., on/off with second time-out period, goes to a dimmed state before turning off. max. 3volt min. dim setting.
		MSE6XAWLEM DSCXA	XPoint Wireless enabled with photocell sensor & occupancy sensor, High bay 15-45 ft. ⁵
		MSE10XAWLEM DSCXA	XPoint Wireless enabled with photocell sensor & occupancy sensor, low bay 8-15 ft. ⁵
		XAD924	XPoint™ Wireless 0-10V relay, internal, lower max ambient, meets UL924 (not available with battery pack)
		SBGR10BTP	360° Low Mount Occ Sensor, pre-wired; Bluetooth® ⁶
		SBGR6BTP	360° High Mount Occ Sensor, pre-wired; Bluetooth® ⁶
		SBGR10BTP HL	360° Low Mount Occ Sensor w/HL Default, pre-wired; Bluetooth® ⁶
		SBGR6BTP HL	360° High Mount Occ Sensor w/HL Default, pre-wired; Bluetooth® ⁶
		SBGR10BTP ADC	360° Low Mount Occ Sensor w/ADC Default, pre-wired; Bluetooth® ⁶
		SBGR6BTP ADC	360° High Mount Occ Sensor w/ADC Default, pre-wired; Bluetooth® ⁶
		SBGR10BTP ANL	360° Low Mount Occ Sensor w/ANL Default, pre-wired; Bluetooth® ⁶
		SBGR6BTP ANL	360° High Mount Occ Sensor w/ANL Default, pre-wired; Bluetooth® ⁶
		Controls:	
		NPP16D	Power/relay pack (0-10VDC dimming output) ⁷
		NPP16DER	Power/relay pack (0-10VDC dimming, output, UL924 emergency operation) ⁷
		AXA10	XPoint Wireless enabled ⁵
		AO	Field adjustable output dimming ⁴
		D	Dimming terminal ^{2,4}
		Damp location cordsets: ^{2,8}	
		CD-3	3-ft. cord ⁹
		CD-6	6-ft. cord ⁹
		CD-X	X-ft. cord ^{9,15}
		CDP-L5-15-X	120V cord and plug ^{9,15}
		CDP-L6-15-X	208V/240V cord and plug ^{9,15}
		CDP-L7-15-X	277V cord and plug ^{9,15}
		CDP-L24-20-X	347V cord and plug ^{9,15}
		CDP-L8-20-X	480V cord and plug ^{9,15}
		CDP-5-15-X	Straight blade 120V plug and cord ^{9,15}
		CD5K-XX	5-wire drop cord for use with external low voltage dimming controls - Black ^{4,15}
		CD5W-XX	5-wire drop cord for use with external low voltage dimming controls - White ^{4,15}
		A	Holoflex I, 6 ft cord, must specify voltage ⁹
		S	Holoflex II, 6 ft cord, must specify voltage ⁹
		PHCB	Powerhook cord for 120V-277V, 347V ¹⁰
		PHCB-L8-480	Powerhook cord for 480V ¹⁰
		Wet location cordsets: ¹⁰	
		CDW-3	3ft cord only (includes PF-291)
		CDW-6	6ft cord only (includes PF-291)
		CDW-X	X ft cord only (includes PF-291) ¹⁵
		CDPW-L5-15-X	120V cord and plug (includes PF-291) ¹⁵
		CDPW-L6-15-X	208/240V cord and plug (includes PF-291) ¹⁵
		CDPW-L7-15-X	277V cord and plug (includes PF-291) ¹⁵
		Hooks: ⁸	
		PF-129	Anti-rotational hook, 3/4" male ²
		PF-105	Loop, 3/4" male ²
		PF-121-A	Safety hook, 3/4" male ²
		PF-291	Gasketed hook, 3/4" male
		Battery packs: ^{2,11,12}	
		ELR	PS30250 Emergency remote power sentry ¹³
		E10WCP	Emergency battery pack 10W, CEC certified (only available 120-277 and up to 24L)
		ELRC	BSL722C Emergency remote Bodine cold version -20 °C to 50 °C max. ^{7,14}
		E15WCP	Emergency remote battery pack, 15W, CEC certified (only available 120 or 277 and up to 24L)
		C3	3-ft. safety chain
		C6	6-ft. safety chain
		CX	X-ft. safety chain ¹⁵
		NSG	Non-silicone gasket
		WG	Wire guard installed
		SSS	Stainless steel screws

SEE NEXT PAGE FOR ACCESSORIES AND NOTES

Accessories: Order as separate catalog number.					
PHZCHAIN3	3-ft. safety chain	UPH-35-L8-480-WH	Thru-way powerhook for 480V	PF-129-A	Anti-rotational hook, 3/4" male
PHZCHAIN6	6-ft. safety chain	UPH-36-***-WH	Powerhook for 120V, 208V, 240V, 277V and 347V ¹⁵	PF-105-B	Loop, 3/4" male
PHZCHAINX	X-ft. safety chain ¹⁵	UPH-36-L8-480-WH	Pendant powerhook for 480V	PF-121-A	Safety hook, 3/4" male
UPH-35-***-WH	Thru-way powerhook for 120V, 208V, 240V, 277V and 347V ¹⁶	PF-116-A	Loop, 3/4" female	PF-291	Gasketed hook, 3/4" male
		PF-122-A	Safety hook, 3/4" female	WGLED	Wire guard

Notes

- 1 See ambient temperature chart.
- 2 Damp location only.
- 3 Select only one option from sensor category.
- 4 Not available with NPP16D, NPP16DER, AXA10, AO, D.
- 5 30L-60L only available with AS,20,24,27.
- 6 Not available with 60L. See page 10 for more information.
- 7 Not available with AS, 20, AH, 48.
- 8 P and Q mount only.
- 9 Must order a hook or loop option.
- 10 For new installation, order matching UPH accessory. For existing installation with UPH accessory, match PHCB.
- 11 1P mount only.
- 12 Not available with AH, 34, 48.
- 13 12,27 only. Not available with cordsets. Customer to connect switched & unswitched power in supplied junction box.
- 14 Not available in 12L,18L, 24L. Not available with cordsets with plug. During installation this option requires un-switched power.
- 15 XX denotes length.
- 16 Must have PCHB on fixture.

OPERATIONAL DATA

Ambient Temperature Ratings

Mounting	Occ Sensor	QDH or Non-Disconnect	Xpoint or SBGR BTP	Battery				Voltage	Ambient								Supply Wire	
				BSL722C	PS30250	PS1055CP	PS1555CP		12L	18L	24L	30L	35L	40L	45L	50L		60L
Pendant	N	N	N	N	N	N	N	120-277	70	70	70	65	65	60	60	60	55	90C
Pendant	N	N	N	N	N	N	N	347-480	70	70	70	65	65	60	60	60	55	90C
Pendant	Y	N	N	N	N	N	N	120-277	55	55	55	45	45	40	40	40	40	90C
Pendant	Y	N	N	N	N	N	N	347-480	55	55	55	45	45	40	40	40	40	90C
Pendant	N	N	Y	N	N	N	N	120-277	55	55	55	45	45	40	40	40	40	90C
Pendant	N	N	Y	N	N	N	N	347-480	55	55	55	-	-	-	-	-	-	90C
Pendant	Y	N	Y	N	N	N	N	120-277	55	55	55	45	45	40	40	40	40	90C
Pendant	Y	N	Y	N	N	N	N	347-480	55	55	55	-	-	-	-	-	-	90C
Pendant	N	N	N	Y	N	N	N	120-277	50	50	50	50	50	50	50	50	50	90C
Pendant	N	N	N	N	Y	N	N	120-277	45	45	45	45	45	45	45	45	45	90C
Pendant	N	N	N	N	N	Y	N	120-277	50	50	50	-	-	-	-	-	-	90C
Pendant	N	N	N	N	N	N	Y	120-277	55	55	55	50	50	50	50	50	50	90C
Pendant	Y	N	N	Y	N	N	N	120-277	50	50	50	45	45	40	40	40	40	90C
Pendant	Y	N	N	N	Y	N	N	120-277	45	45	45	45	45	40	40	40	40	90C
Pendant	Y	N	N	N	N	Y	N	120-277	50	50	50	-	-	-	-	-	-	90C
Pendant	Y	N	N	N	N	N	Y	120-277	55	55	55	45	45	40	40	40	40	90C
Pendant	N	N	Y	Y	N	N	N	120-277	50	50	50	45	45	40	40	40	40	90C
Pendant	N	N	Y	N	Y	N	N	120-277	45	45	45	45	45	40	40	40	40	90C
Pendant	N	N	Y	N	N	Y	N	120-277	50	50	50	-	-	-	-	-	-	90C
Pendant	N	N	Y	N	N	N	Y	120-277	55	55	55	45	45	40	40	40	40	90C
Pendant	Y	N	Y	Y	N	N	N	120-277	50	50	50	45	45	40	40	40	40	90C
Pendant	Y	N	Y	N	Y	N	N	120-277	45	45	45	45	45	40	40	40	40	90C
Pendant	Y	N	Y	N	N	Y	N	120-277	50	50	50	-	-	-	-	-	-	90C
Pendant	Y	N	Y	N	N	N	Y	120-277	55	55	55	45	45	40	40	40	40	90C
Ceiling	N	Y	N	N	N	N	N	120-277	70	70	70	65	65	60	60	60	55	90C
Ceiling	N	Y	N	N	N	N	N	347-480	70	70	70	65	65	60	60	60	55	90C
Ceiling	Y	Y	N	N	N	N	N	120-277	55	55	55	45	45	40	40	40	40	90C
Ceiling	Y	Y	N	N	N	N	N	347-480	55	55	55	45	45	40	40	40	40	90C
Ceiling	N	Y	Y	N	N	N	N	120-277	55	55	55	45	45	40	40	40	40	90C
Ceiling	N	Y	Y	N	N	N	N	347-480	55	55	55	-	-	-	-	-	-	90C
Ceiling	Y	Y	Y	N	N	N	N	120-277	55	55	55	45	45	40	40	40	40	90C
Ceiling	Y	Y	Y	N	N	N	N	347-480	55	55	55	-	-	-	-	-	-	90C

* BTP not available without occupancy sensor

OPERATIONAL DATA

Operating Characteristics

Lumen Package	Distribution	Delivered Lumens												Watts @ 120V	LPW @ 5000K, 70 CRI
		3000K 70CRI @25°C	3500K 70CRI @25°C	4000K 70CRI @25°C	5000K 70CRI @25°C	3000K 80CRI @25°C	3500K 80CRI @25°C	4000K 80CRI @25°C	5000K 80CRI @25°C	3000K 90CRI @25°C	3500K 90CRI @25°C	4000K 90CRI @25°C	5000K 90CRI @25°C		
12L	M	12674	12837	12956	12973	11359	11701	11889	12341	9958	10274	10428	11154	81	160
	M FR	11712	11862	11973	11989	10497	10813	10986	11405	9203	9495	9637	10308	81	148
	N	12768	12932	13052	13069	11443	11787	11977	12433	10032	10350	10505	11237	81	161
	N FR	11719	11869	11980	11995	10503	10819	10992	11411	9208	9500	9642	10313	81	148
	NA	12881	13046	13168	13185	11545	11892	12083	12543	10121	10442	10599	11336	81	163
	W	12681	12844	12963	12980	11365	11707	11895	12348	9964	10280	10434	11160	81	160
	W FR	11008	11149	11253	11268	9866	10163	10326	10719	8649	8924	9057	9688	81	139
	WA	12929	13095	13217	13234	11588	11936	12128	12590	10159	10481	10638	11378	81	163
	F	9708	9708	10596	10914	9073	9327	9644	9771	9708	9708	10596	10914	81	135
F FR	8859	8859	9670	9959	6543	6833	7412	8106	8859	8859	9670	9959	81	123	
18L	M	19708	19960	20146	20173	17663	18194	18486	19190	15485	15976	16215	17344	130	155
	M FR	18212	18445	18617	18642	16322	16813	17083	17734	14310	14764	14985	16028	130	144
	N	19854	20108	20295	20322	17793	18328	18623	19332	15599	16094	16335	17472	130	157
	N FR	18222	18456	18628	18652	16331	16822	17093	17743	14318	14772	14993	16037	130	144
	NA	20030	20286	20475	20502	17951	18491	18788	19503	15738	16237	16480	17627	130	158
	W	19719	19971	20157	20184	17672	18204	18496	19200	15493	15985	16224	17353	130	156
	W FR	17117	17336	17498	17521	15341	15802	16056	16667	13449	13876	14084	15064	130	135
	WA	20104	20362	20551	20578	18018	18560	18858	19576	15796	16297	16541	17693	130	159
	F	14109	14503	14997	15194	11149	11642	12629	13813	14109	14503	14997	15194	130	117
F FR	12875	13235	13685	13865	10174	10624	11524	12605	12875	13235	13685	13865	130	107	
24L	M	24842	25160	25394	25427	22264	22933	23302	24189	19518	20138	20439	21862	170	150
	M FR	22957	23250	23467	23498	20574	21193	21533	22353	18037	18610	18888	20203	170	138
	N	25026	25346	25582	25616	22429	23103	23474	24368	19663	20287	20590	22024	170	151
	N FR	22969	23263	23480	23511	20586	21205	21545	22366	18047	18620	18899	20214	170	138
	NA	25248	25571	25809	25843	22628	23308	23682	24584	19837	20467	20773	22219	170	152
	W	24855	25174	25408	25441	22276	22946	23314	24202	19529	20149	20450	21874	170	150
	W FR	21576	21852	22056	22085	19337	19919	20239	21009	16953	17491	17752	18988	170	130
	WA	25341	25666	25905	25939	22712	23395	23770	24675	19911	20543	20850	22302	170	153
	F	14053	14675	15919	17411	19028	19028	20769	21390	17784	18281	18903	19152	170	102
F FR	12824	13392	14527	15889	17364	17364	18953	19520	16229	16683	17250	17477	170	93	
30L	M	27892	27892	30444	31356	26069	26798	27710	28074	20600	21511	23334	25522	218	144
	M FR	25775	25775	28134	28976	24091	24764	25607	25944	19037	19879	21564	23585	218	133
	N	28098	28098	30669	31588	26262	26996	27915	28282	20752	21671	23507	25711	218	145
	N FR	25790	25790	28149	28992	24104	24778	25621	25958	19047	19890	21576	23598	218	133
	NA	28348	28348	30942	31868	26495	27236	28162	28533	20936	21863	23716	25939	218	146
	W	27907	27907	30461	31373	26083	26813	27725	28090	20611	21523	23347	25536	218	144
	W FR	24225	24225	26442	27234	22642	23275	24067	24384	17892	18684	20267	22167	218	125
	WA	28453	28453	31057	31986	26593	27337	28267	28639	21014	21944	23804	26036	218	147
	F	24607	25093	24899	24640	21596	22471	22730	23199	18877	19281	19508	20949	218	113
F FR	22456	22899	22722	22485	19708	20506	20742	21171	17226	17595	17802	19117	218	103	
35L	M	31352	31352	34221	35245	29303	30122	31147	31557	23155	24180	26229	28688	254	139
	M FR	28973	28973	31624	32571	27079	27837	28783	29162	21398	22345	24239	26511	254	128
	N	31584	31584	34474	35506	29520	30345	31378	31790	23327	24359	26423	28900	254	140
	N FR	28989	28989	31641	32589	27094	27852	28799	29178	21410	22357	24252	26526	254	128
	NA	31864	31864	34780	35821	29782	30615	31656	32073	23534	24575	26658	29157	254	141
	W	31369	31369	34240	35265	29319	30139	31164	31574	23168	24193	26244	28704	254	139
	W FR	27231	27231	29722	30612	25451	26163	27053	27409	20112	21002	22781	24917	254	121
	WA	31983	31983	34909	35955	29892	30729	31774	32192	23621	24666	26757	29265	254	142
	F	27660	28206	27988	27697	24275	25258	25549	26077	21218	21673	21928	23548	254	109
F FR	25242	25740	25541	25275	22153	23050	23315	23797	19363	19778	20011	21489	254	100	

OPERATIONAL DATA

Operating Characteristics

Lumen Package	Distribution	Delivered Lumens												Watts @ 120V	LPW @ 5000K, 70 CRI
		3000K 70CRI @25°C	3500K 70CRI @25°C	4000K 70CRI @25°C	5000K 70CRI @25°C	3000K 80CRI @25°C	3500K 80CRI @25°C	4000K 80CRI @25°C	5000K 80CRI @25°C	3000K 90CRI @25°C	3500K 90CRI @25°C	4000K 90CRI @25°C	5000K 90CRI @25°C		
40L	M	37468	37468	40897	42121	35019	35999	37223	37713	27673	28897	31346	34285	288	146
	M FR	34625	34625	37793	38925	32362	33267	34399	34851	25573	26704	28967	31683	288	135
	N	37746	37746	41199	42433	35279	36265	37499	37992	27877	29111	31578	34538	288	147
	N FR	34644	34644	37814	38946	32380	33286	34418	34871	25587	26719	28983	31701	288	135
	NA	38081	38081	41565	42809	35592	36587	37832	38329	28125	29369	31858	34845	288	148
	W	37489	37489	40919	42144	35039	36019	37244	37734	27688	28913	31363	34304	288	146
	W FR	32543	32543	35521	36584	30416	31267	32330	32756	24035	25099	27226	29778	288	127
	WA	38222	38222	41720	42969	35724	36723	37972	38472	28229	29479	31977	34975	288	149
	F	33056	33709	33448	33100	29011	30186	30533	31164	25358	25901	26206	28141	288	115
F FR	30166	30761	30523	30206	26474	27546	27864	28439	23140	23637	23914	25681	288	105	
45L	M	40897	40897	44639	45976	38224	39293	40630	41164	30205	31542	34215	37422	323	142
	M FR	37794	37794	41252	42487	35324	36312	37547	38041	27913	29148	31618	34582	323	132
	N	41200	41200	44970	46316	38507	39584	40931	41469	30429	31775	34468	37699	323	143
	N FR	37815	37815	41275	42511	35343	36332	37567	38062	27928	29164	31636	34602	323	132
	NA	41565	41565	45369	46727	38849	39935	41294	41837	30699	32057	34774	38034	323	145
	W	40920	40920	44664	46001	38245	39315	40652	41187	30222	31559	34233	37443	323	142
	W FR	35521	35521	38772	39932	33200	34128	35289	35753	26235	27395	29717	32503	323	124
	WA	41720	41720	45538	46901	38993	40084	41447	41993	30813	32176	34903	38175	323	145
	F	36081	36793	36509	36129	31666	32948	33328	34016	27678	28272	28604	30717	323	112
F FR	32926	33576	33316	32970	28897	30067	30414	31042	25258	25800	26103	28031	323	102	
50L	M	45751	45751	49938	51433	42761	43957	45452	46050	33790	35285	38276	41864	374	137
	M FR	42280	42280	46148	47530	39516	40622	42003	42556	31226	32608	35371	38687	374	127
	N	46090	46090	50308	51814	43078	44283	45789	46391	34040	35547	38559	42174	374	138
	N FR	42303	42303	46174	47556	39538	40644	42027	42580	31243	32626	35391	38709	374	127
	NA	46499	46499	50754	52274	43460	44676	46195	46803	34343	35862	38901	42548	374	140
	W	45777	45777	49965	51461	42785	43982	45477	46076	33809	35305	38297	41887	374	138
	W FR	39737	39737	43374	44672	37140	38179	39478	39997	29349	30647	33244	36361	374	119
	WA	46672	46672	50943	52468	43622	44842	46367	46977	34470	35995	39046	42706	374	140
	F	40364	41161	40842	40417	35425	36859	37284	38054	30963	31627	31999	34363	374	108
F FR	36835	37562	37271	36883	32327	33636	34024	34726	28256	28862	29201	31358	374.2	99	
60L	M	53480	53480	58374	60121	49985	51383	53131	53830	39498	41246	44742	48936	437	138
	M FR	49422	49422	53944	55559	46192	47484	49099	49745	36501	38116	41346	45223	437	127
	N	53876	53876	58806	60567	50355	51763	53524	54228	39791	41552	45073	49298	437	139
	N FR	49449	49449	53974	55590	46217	47510	49126	49772	36521	38137	41369	45248	437	127
	NA	54354	54354	59328	61104	50802	52223	53999	54709	40144	41920	45473	49736	437	140
	W	53510	53510	58406	60155	50012	51411	53160	53859	39520	41269	44766	48963	437	138
	W FR	46450	46450	50701	52219	43414	44629	46147	46754	34306	35824	38860	42504	437	120
	WA	54556	54556	59548	61331	50991	52417	54200	54913	40293	42076	45642	49921	437	140
	F	47183	48114	47741	47245	41409	43085	43582	44482	36194	36970	37405	40167	437	108
F FR	43057	43907	43567	43114	37788	39318	39771	40593	33029	33738	34134	36655	436.7	99	

OPERATIONAL DATA CONTINUED

Emergency Lumens

Package	Narrow	Medium	Wide	Frosted Multiplier
Estimated Minimum Delivered Lumens for 12L, 18L, 24L, 30L, 35L, 40L, 45L, 50L and 60L	2,841	2,841	2,841	0.92
LM/W	123	123	123	

Lumen Maintenance 12L Package

Ambient °C	0 Hours	15000 Hours	30000 Hours	36000 Hours	45000 Hours	60000 Hours	100000 Hours
25	1.00	0.98	0.97	0.96	0.96	0.95	0.92
30	1.00	0.98	0.97	0.96	0.96	0.95	0.92
35	1.00	0.98	0.97	0.96	0.96	0.95	0.92
40	1.00	0.98	0.97	0.96	0.96	0.95	0.92
45	1.00	0.97	0.96	0.96	0.95	0.94	0.91
50	1.00	0.97	0.96	0.95	0.95	0.93	0.90
55	1.00	0.97	0.95	0.95	0.94	0.93	0.89
60	1.00	0.97	0.95	0.94	0.93	0.92	0.88
65	1.00	0.96	0.95	0.94	0.93	0.91	0.87
70	1.00	0.96	0.94	0.93	0.92	0.9	0.85

Lumen Maintenance 18L Package

Ambient °C	0 Hours	15000 Hours	30000 Hours	36000 Hours	45000 Hours	60000 Hours	100000 Hours
25	1.00	0.98	0.97	0.96	0.96	0.95	0.92
30	1.00	0.98	0.97	0.96	0.96	0.95	0.92
35	1.00	0.97	0.96	0.96	0.95	0.94	0.91
40	1.00	0.97	0.96	0.95	0.95	0.93	0.90
45	1.00	0.97	0.95	0.95	0.94	0.93	0.89
50	1.00	0.97	0.95	0.94	0.94	0.92	0.88
55	1.00	0.96	0.95	0.94	0.93	0.91	0.87
60	1.00	0.96	0.94	0.93	0.92	0.90	0.85
65	1.00	0.95	0.92	0.91	0.90	0.88	0.83
70	1.00	0.94	0.91	0.9	0.88	0.85	0.78

Lumen Maintenance 24L Package

Ambient °C	0 Hours	15000 Hours	30000 Hours	36000 Hours	45000 Hours	60000 Hours	100000 Hours
25	1.00	0.98	0.97	0.96	0.96	0.95	0.92
30	1.00	0.98	0.97	0.96	0.96	0.95	0.92
35	1.00	0.97	0.96	0.95	0.95	0.94	0.91
40	1.00	0.97	0.96	0.95	0.94	0.93	0.90
45	1.00	0.97	0.95	0.95	0.94	0.92	0.88
50	1.00	0.96	0.95	0.94	0.93	0.91	0.87
55	1.00	0.96	0.94	0.94	0.92	0.91	0.86
60	1.00	0.96	0.94	0.93	0.92	0.90	0.84
65	1.00	0.94	0.92	0.90	0.89	0.86	0.80
70	1.00	0.93	0.9	0.89	0.87	0.83	0.76

OPERATIONAL DATA CONTINUED

Lumen Maintenance 30L Package

Ambient °C	0 Hours	15000 Hours	30000 Hours	36000 Hours	45000 Hours	60000 Hours	100000 Hours
25	1.00	0.98	0.97	0.97	0.96	0.96	0.94
30	1.00	0.97	0.96	0.96	0.96	0.95	0.93
35	1.00	0.97	0.96	0.96	0.96	0.95	0.93
40	1.00	0.97	0.96	0.96	0.95	0.95	0.93
45	1.00	0.97	0.96	0.96	0.95	0.94	0.92
50	1.00	0.97	0.96	0.96	0.95	0.94	0.92
55	1.00	0.97	0.96	0.95	0.95	0.94	0.92
60	1.00	0.96	0.95	0.95	0.94	0.93	0.91
65	1.00	0.96	0.95	0.95	0.94	0.93	0.90

Lumen Maintenance 35L Package

Ambient °C	0 Hours	15000 Hours	30000 Hours	36000 Hours	45000 Hours	60000 Hours	100000 Hours
25	1.00	0.97	0.96	0.96	0.96	0.95	0.93
30	1.00	0.97	0.96	0.96	0.96	0.95	0.93
35	1.00	0.97	0.96	0.96	0.95	0.95	0.93
40	1.00	0.97	0.96	0.96	0.95	0.94	0.92
45	1.00	0.97	0.96	0.96	0.95	0.94	0.92
50	1.00	0.97	0.96	0.95	0.95	0.94	0.92
55	1.00	0.96	0.95	0.95	0.94	0.93	0.91
60	1.00	0.96	0.95	0.95	0.94	0.93	0.90
65	1.00	0.96	0.95	0.94	0.94	0.93	0.90

Lumen Maintenance 40L Package

Ambient °C	0 Hours	15000 Hours	30000 Hours	36000 Hours	45000 Hours	60000 Hours	100000 Hours
25	1.00	0.97	0.96	0.96	0.96	0.95	0.93
30	1.00	0.97	0.96	0.96	0.95	0.95	0.93
35	1.00	0.97	0.96	0.96	0.95	0.94	0.92
40	1.00	0.97	0.96	0.96	0.95	0.94	0.92
45	1.00	0.97	0.96	0.95	0.95	0.94	0.92
50	1.00	0.96	0.95	0.95	0.94	0.93	0.91
55	1.00	0.96	0.95	0.95	0.94	0.93	0.90
60	1.00	0.96	0.95	0.94	0.94	0.93	0.90
65							

OPERATIONAL DATA CONTINUED

Lumen Maintenance 45L Package

Ambient °C	0 Hours	15000 Hours	30000 Hours	36000 Hours	45000 Hours	60000 Hours	100000 Hours
25	1.00	0.97	0.96	0.96	0.95	0.95	0.93
30	1.00	0.97	0.96	0.96	0.95	0.94	0.92
35	1.00	0.97	0.96	0.96	0.95	0.94	0.92
40	1.00	0.97	0.96	0.95	0.95	0.94	0.92
45	1.00	0.96	0.95	0.95	0.94	0.93	0.91
50	1.00	0.96	0.95	0.95	0.94	0.93	0.90
55	1.00	0.96	0.95	0.94	0.94	0.93	0.90
60	1.00	0.96	0.95	0.94	0.93	0.92	0.89
65							

Lumen Maintenance 50L Package

Ambient °C	0 Hours	15000 Hours	30000 Hours	36000 Hours	45000 Hours	60000 Hours	100000 Hours
25	1.00	0.97	0.96	0.96	0.95	0.94	0.92
30	1.00	0.97	0.96	0.96	0.95	0.94	0.92
35	1.00	0.96	0.95	0.95	0.94	0.93	0.91
40	1.00	0.96	0.95	0.95	0.94	0.93	0.90
45	1.00	0.96	0.95	0.94	0.94	0.93	0.90
50	1.00	0.96	0.95	0.94	0.94	0.92	0.89
55	1.00	0.96	0.95	0.94	0.93	0.92	0.89
60	1.00	<0.96	<0.95	<0.94	<0.93	<0.92	<0.89
65							

Lumen Maintenance 60L Package

Ambient °C	0 Hours	15000 Hours	30000 Hours	36000 Hours	45000 Hours	60000 Hours	100000 Hours
25	1.00	0.96	0.95	0.95	0.94	0.93	0.91
30	1.00	0.96	0.95	0.95	0.94	0.93	0.90
35	1.00	0.96	0.95	0.94	0.94	0.93	0.90
40	1.00	0.96	0.95	0.94	0.94	0.92	0.90
45	1.00	0.96	0.94	0.94	0.93	0.92	0.89
50	1.00	0.96	0.94	0.94	0.93	0.92	0.89
55	1.00	<0.96	<0.94	<0.94	<0.93	<0.92	<0.89
60							
65							

OPERATIONAL DATA CONTINUED

LAT Factors

Ambient °C	12L	18L	24L	30L	35L	40L	45L	50L	60L
25	1.00	1.00	1.00	1.00	1.00	1.00	1.00	1.00	1.00
30	0.99	0.99	0.99	0.99	0.99	0.99	0.99	0.99	0.99
35	0.99	0.99	0.99	0.98	0.98	0.98	0.98	0.98	0.98
40	0.98	0.98	0.98	0.98	0.97	0.97	0.97	0.97	0.97
45	0.98	0.97	0.97	0.97	0.97	0.96	0.96	0.96	0.96
50	0.97	0.96	0.96	0.96	0.96	0.96	0.95	0.95	0.95
55	0.96	0.96	0.95	0.95	0.95	0.95	0.94	0.94	0.94
60	0.95	0.95	0.95	0.94	0.94	0.94	0.93	0.93	
65	0.95	0.94	0.94	0.93	0.93				
70	0.94	0.93	0.93						

Performance with AO* Field Adjustable Output

FAO Position	% Light Output	% Power Consumption
8	100%	100%
7	89%	86%
6	78%	75%
5	67%	62%
4	54%	49%
3	41%	36%
2	28%	24%
1	14%	11%

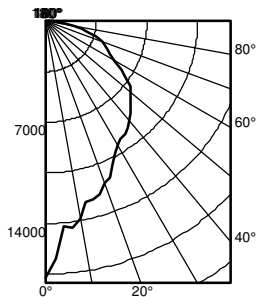
* Same for all configuration

BTP Default Settings

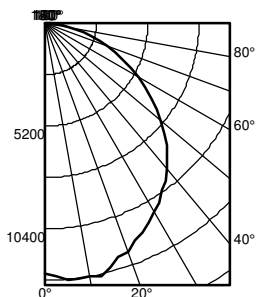
Model	Default Operation	Occupancy Time Delay	Photocell Mode	Photocell Set-point	Low Trim	High Trim	Dim to Off Time Delay
SBGR10BTP	On/Off Occupancy Only Disabled	10 minutes	Disabled	n/a	n/a	100%	Disabled
SBGR6BTP	On/Off Occupancy Only Disabled	10 minutes	Disabled	n/a	n/a	100%	Disabled
SBGR10BTP HL	Occupancy w/ 0-10V Dimming (High/Low/Off)	10 minutes	Disabled	n/a	10%	100%	2.5 minutes
SBGR6BTP HL	Occupancy w/ 0-10V Dimming (High/Low/Off)	10 minutes	Disabled	n/a	10%	100%	2.5 minutes
SBGR10BTP ADC	Occupancy w/ Dim & Switch Photocell	10 minutes	On/Off & Auto Dim	50 fc	10%	100%	0 seconds
SBGR6BTP ADC	Occupancy w/ Dim & Switch Photocell	10 minutes	On/Off & Auto Dim	50 fc	10%	100%	0 seconds
SBGR10BTP ANL	Dim & Switch Photocell with High/Low Occupancy Operation	10 minutes	On/Off & Auto Dim	50 fc	10%	100%	Stay Dim/Never Off
SBGR6BTP ANL	Dim & Switch Photocell with High/Low Occupancy Operation	10 minutes	On/Off & Auto Dim	50 fc	10%	100%	Stay Dim/Never Off

DISTRIBUTION DATA

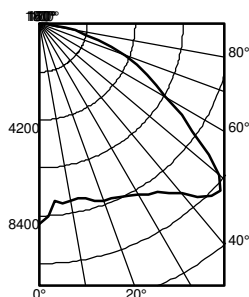
Narrow



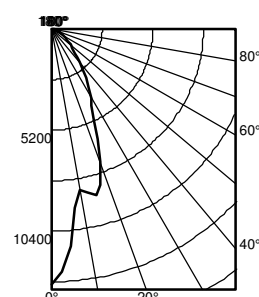
Medium



Wide



Focus

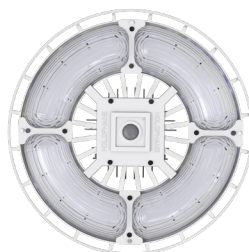


COMPONENTS & OPTIONS DATA



XPoint wireless

Integrated wireless control technology connecting fixtures, sensors, and other modules together.



Sensors

Occupancy-only mode that controls on/off and dimming of the fixture. Photocell option reads daylight levels to dim lights or prevent start-up.



Dimming drivers

Drivers use 0-10V protocol with dimming down to 10% power / 30% lumen output.



A0

Field adjustable output dimming.



Optics

Standard prismatic, borosilicate glass that doesn't fade or degrade. Optional frosted optics provide even greater visual comfort. Injection molded acrylic lens available in wide and narrow.



Wireguard

Steel wireguard available to further protect fixture from impact.



Hook and cord

3/4" hub standard. Multiple hooks and other mountings available. Cord sets can be specified with or without plug.



nPP16D

nLight on/off, dim control.



nPP16D ER

nLight UL924 Emergency operation.

CONTROLS



MSE6NDL, MSE62L3VDL, MSE6NDL DSCNDL, AXA10, MSE6XADL DSCXA; Sensor Coverage Data

- Best choice for 15 to 45 ft. (4.57 to 13.72 m) mounting heights
- 15 to 20 ft. (4.57 to 6.10 m) radial coverage overlaps area lit by a typical high bay fixture
- Large motion (e.g., walking) detection up to a 35-ft. (10.76 m) mounting height
- Extra large motion (e.g., forklifts) detection up to a 45-ft. (13.72 m) mounting height

