



► Model LSL

Litestak[®] Incandescent Status Indicator

Federal Signal's Litestak[®] status indicator may include up to five light modules (Model LSL) available in Amber, Blue, Clear, Green and Red; or four light modules plus an optional sound module (Model LSH) to create a dual purpose audible/visual status indicator. The sound module always occupies the top position of a Litestak unit.

Litestak's lensing provides a 360° visual signal. Individual light modules may be set to either flash or steady. The flasher is included with the 120VAC LSB model and sold separately for 24VDC. Each light module consists of two impact-resistant polycarbonate lens halves that snap apart to provide easy maintenance and interchangeability of colors.

Litestak units can be installed on a 3/4-inch NPT pipe mount or surface mounted with the Model LSB Base. If low profile surface mounting is required, Model LSBS is available. All Litestak models should be mounted base down.

Multiple lens colors can communicate machine shutdown, shortage of materials, supervisor attention, etc. Ideal applications for the Litestak include assembly lines, instrument panels, workcells, etc. Federal Signal's Litestak is an economical device for increasing productivity in any manufacturing environment.

FEATURES

- Available in 24VDC and 120VAC
- Five lens colors: Amber, Blue, Clear, Green and Red
- Surface mount and integrated 3/4-inch NPT pipe mount
- Indoor use only
- Type 1 enclosure
- Optional sounders available (see pages 46-47)
- CSA Certified
- UL and cUL Listed

MODEL	DESCRIPTION	VOLTAGE	OPERATING CURRENT	FLASH RATE/ MINUTE	LIGHT OUTPUT	MOUNT
LSB-024-240¹	Base	24-240VAC/DC	N/A	N/A	N/A	3/4" NPT Pipe/Surface
LSB-120¹	Base	120VAC 50/60Hz	N/A	70	N/A	3/4" NPT Pipe/Surface
LSBS¹	Base	24-240VAC/DC	N/A	N/A	N/A	Low Profile Surface
LSL-024^{2*}	Light Module	24VDC	0.76 amps**	N/A	123 cd	N/A
LSL-120^{2*}	Light Module	120VAC 50/60Hz	0.13 amps**	N/A	123 cd	N/A

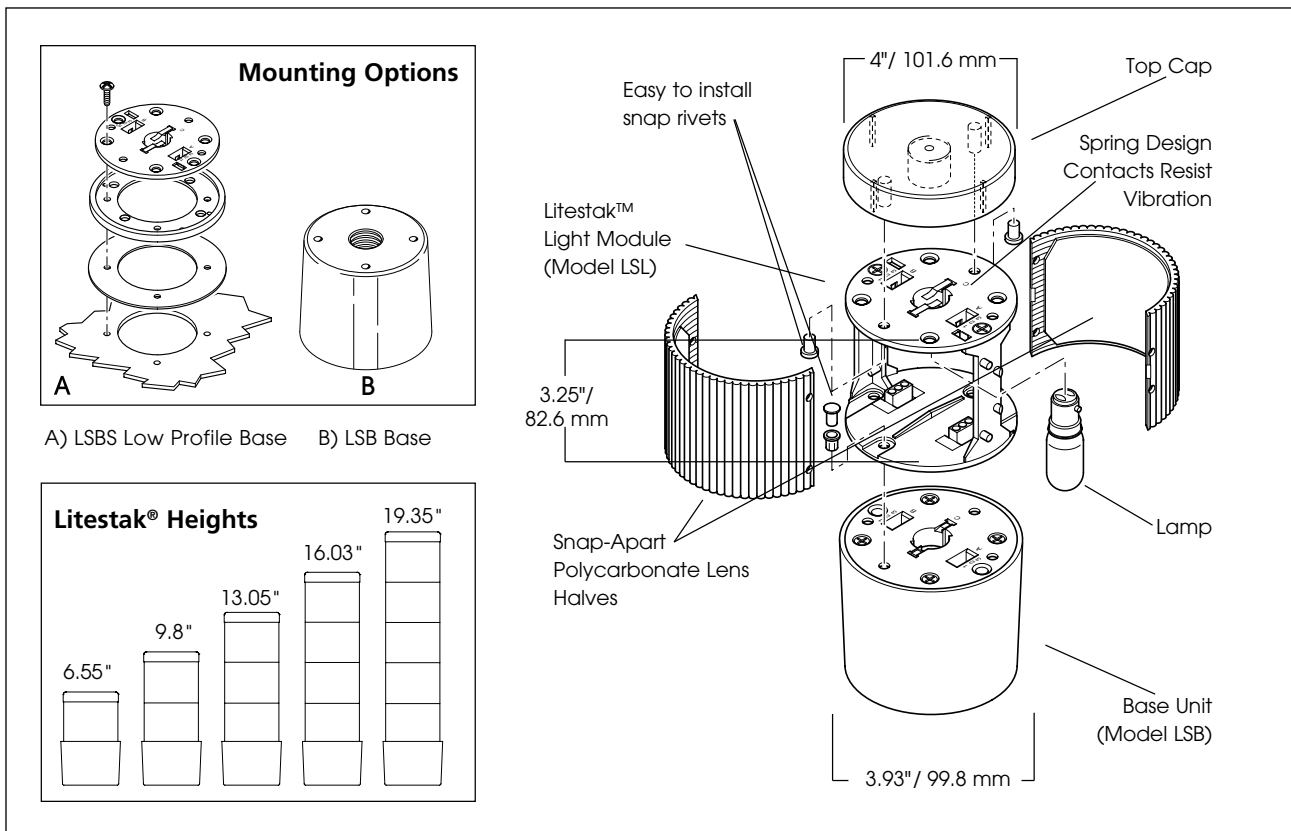
¹ Cap kit included

² Model LSL includes lens, lamp and light module

* Indicates color: (A) Amber, (B) Blue, (C) Clear, (G) Green or (R) Red

** Operating current listed is for one module. For multiple modules, the current will have to be added together throughout the configuration to get the total operating current.

Litestak® Incandescent Status Indicator (LSL)



SPECIFICATIONS

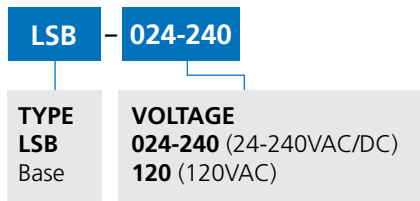
Lamp Life:		2,500 Hours
Light Source:		Incandescent
Operating Temperature:	0°F to 120°F	-18°C to 49°C
Net Weight:	LSL	0.5 lbs / 0.2 kg
	LSB	0.75 lbs / 0.3 kg
Shipping Weight:	LSL	0.8 lbs / 0.4 kg
	LSB	1.0 lbs / 0.4 kg
Height:	LSL	3.25" / 82.6 mm
	LSB	3.25" / 82.6 mm
	LSBS	3.30" / 83.82 mm
Diameter:	LSL	3.93" / 99.8 mm
	LSB	3.93" / 99.8 mm
	LSBS	3.93" / 99.8 mm

REPLACEMENT PARTS

Description	Part Number
Litestak Lens Kit ¹	K844700352A
Lamp, 24VDC	K8107210A
Lamp, 120VAC	K8107194A
Lamp, 240VAC	K8107A149A
Flasher, 24VDC	K8285237A
Flasher, 120VAC	K8285239A

¹ Includes 1 of each lens: Amber, Blue, Clear, Green and Red (does not include blackout 1/2 lens), snap rivets and cap

HOW TO ORDER



LSBS Indicate Model Number **LSBS** for the Low Profile Base

