

BALDOR® • **RELIANCE**

Product Information Packet

EM3555T

2HP,3490RPM,3PH,60HZ,145T,3526M,TEFC,F1

Part Detail							
Revision:	K	Status:	PRD/A	Change #:		Proprietary:	No
Type:	AC	Prod. Type:	3526M	Elec. Spec:	35WGM774	CD Diagram:	CD0005
Enclosure:	TEFC	Mfg Plant:		Mech. Spec:	35TT638	Layout:	35LYTT638
Frame:	145T	Mounting:	F1	Poles:	02	Created Date:	07-15-2010
Base:	RG	Rotation:	R	Insulation:	F	Eff. Date:	10-16-2015
Leads:	9#18					Replaced By:	
Literature:		Elec. Diagram:					

Nameplate NP3441LUA									
CAT.NO.	EM3555T								
SPEC.	35TT638M774G1								
HP	2								
VOLTS	230/460								
AMP	5/2.5								
RPM	3490								
FRAME	145T			HZ	60			PH	3
SER.F.	1.15		CODE	M		DES	B	CL	F
NEMA-NOM-EFF	85.5		PF	88					
RATING	40C AMB-CONT								
CC	010A					USABLE AT 208V	5.3		
DE	6205		ODE	6203					
ENCL	TEFC		SN						
VPWM INVERTER READY									
CT6-60H(10:1)VT3-60H(20:1									
50Hz 2HP 190/380V 5.8/2.9A									SF1.0

AC Induction Motor Performance Data

Record # 52479 - Typical performance - not guaranteed values

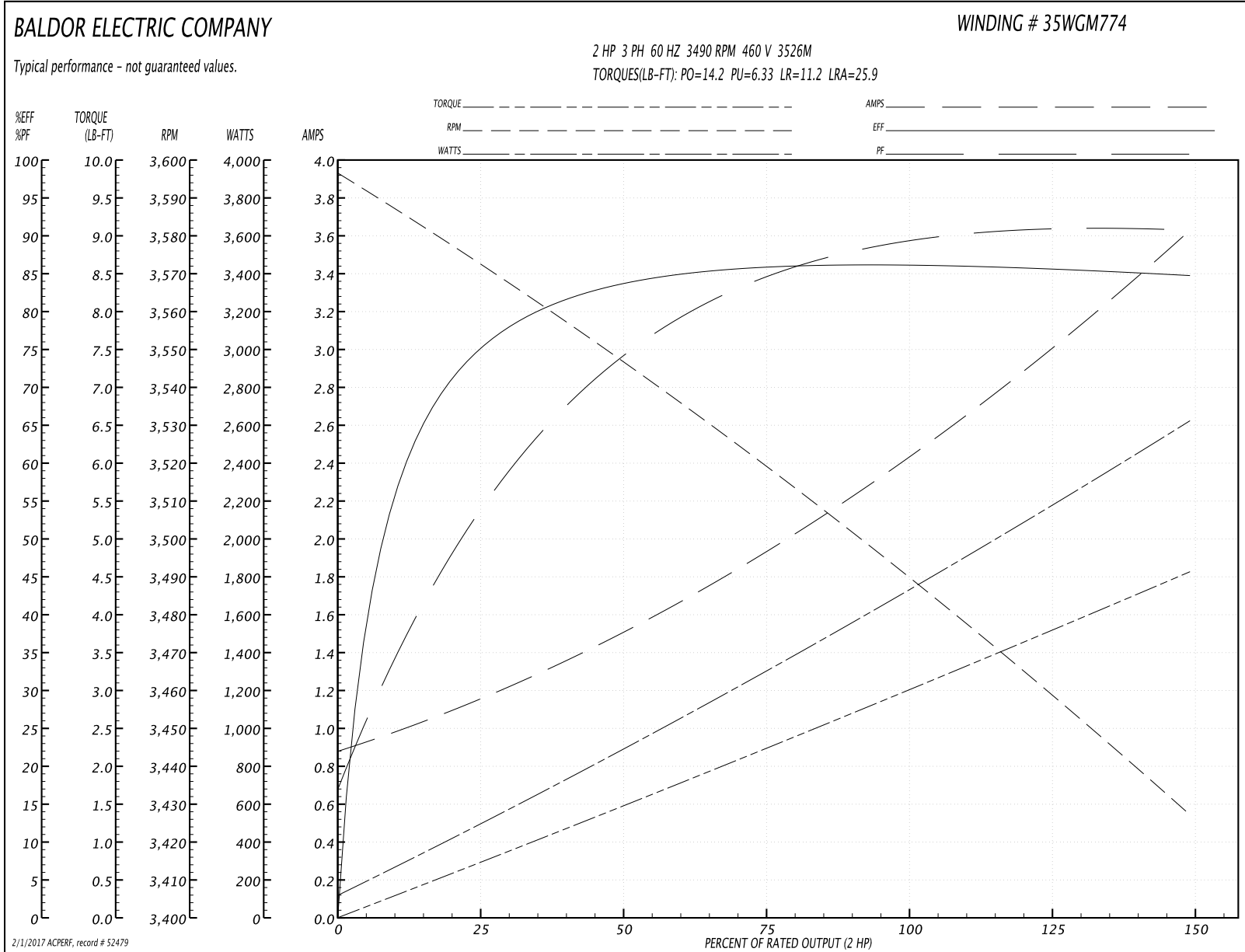
Winding: 35WGM774-R004	Type: 3526M	Enclosure: TEFC
-------------------------------	--------------------	------------------------

Nameplate Data				460 V, 60 Hz: High Voltage Connection	
Rated Output (HP)	2			Full Load Torque	2.98 LB-FT
Volts	230/460			Start Configuration	direct on line
Full Load Amps	5/2.5			Breakdown Torque	14.2 LB-FT
R.P.M.	3490			Pull-up Torque	6.33 LB-FT
Hz	60	Phase	3	Locked-rotor Torque	11.2 LB-FT
NEMA Design Code	B	KVA Code	M	Starting Current	25.9 A
Service Factor (S.F.)	1.15			No-load Current	0.912 A
NEMA Nom. Eff.	85.5	Power Factor	88	Line-line Res. @ 25°C	6.88 Ω
Rating - Duty	40C AMB-CONT			Temp. Rise @ Rated Load	44°C
S.F. Amps				Temp. Rise @ S.F. Load	52°C
				Locked-rotor Power Factor	49.9
				Rotor inertia	0.0719 LB-FT ²

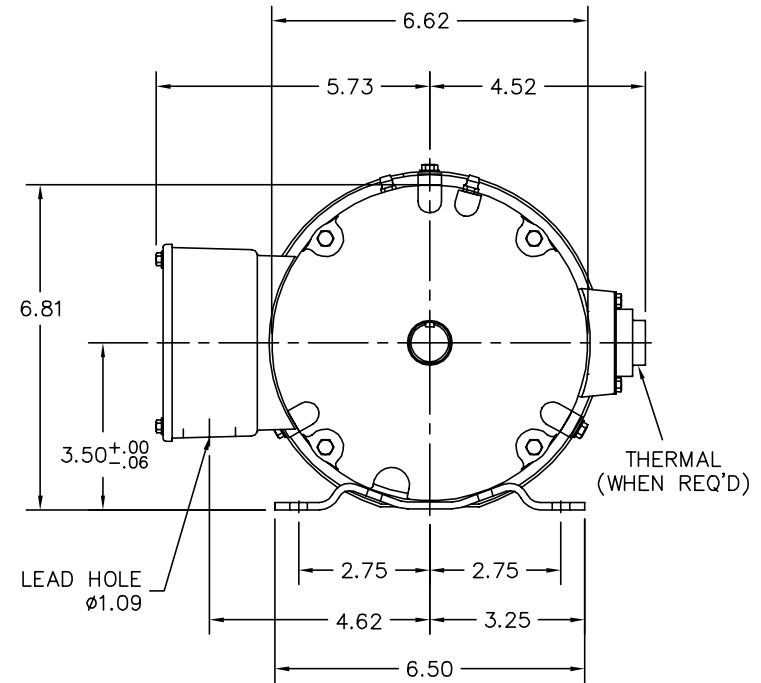
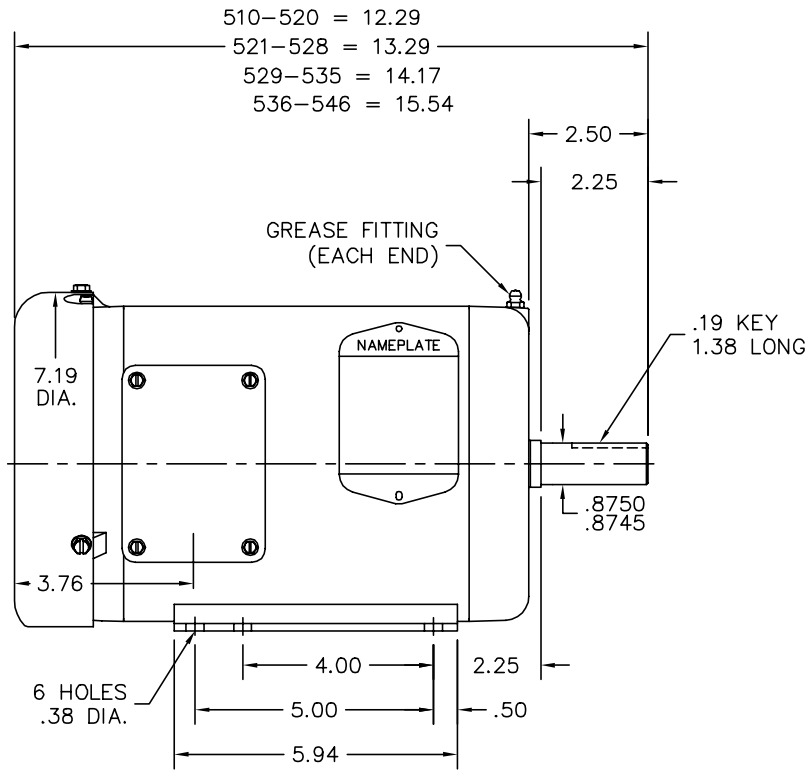
Load Characteristics 460 V, 60 Hz, 2 HP

% of Rated Load	25	50	75	100	125	150	S.F.
Power Factor	55	75	84	88	90	91	89
Efficiency	73.4	83.6	85.8	86.3	85.8	84.7	86
Speed	3572	3547	3520	3492	3461	3426	3473
Line amperes	1.1	1.47	1.93	2.44	3	3.61	2.78

Performance Graph at 460V, 60Hz, 2.0HP Typical performance - Not guaranteed values



35LYTT638



CUSTOMER IS RESPONSIBLE FOR DETERMINING THAT BALDOR'S PRODUCT WILL PERFORM SUITABLY IN THE INTENDED APPLICATION.

REV. DESC: CHG STACK RANGES TO MATCH SHAFT AND BAND		
REV. LTR: D	VERSION: 04	TDR: 000000958588
FILE: \AAA\00173\415	REVISED: 09:10:35 12/22/2015	BY: ENBENBO
MTL: -	⊙ □	

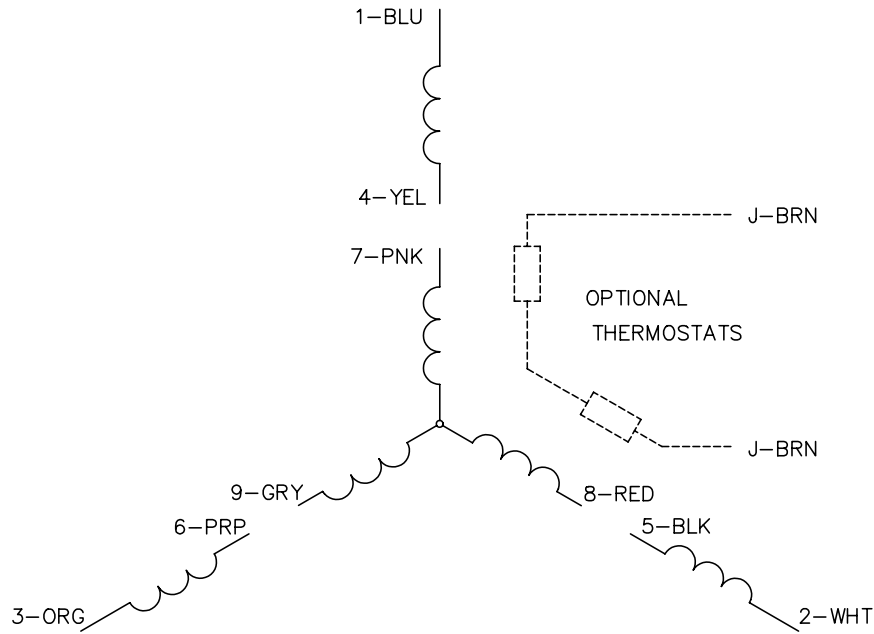
BALDOR

HOR 143-5T TEFC 35M 2 POLE "W" BASE (35BA4009), 35CB3009

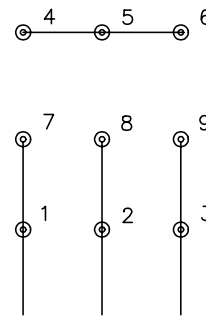
SH 1 of 1

35LYTT638

CD0005

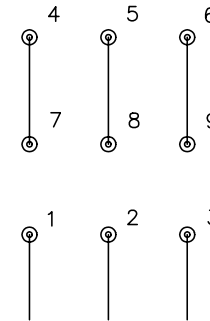


LOW VOLTAGE
(2Y)



LINE

HIGH VOLTAGE
(1Y)



LINE

NOTES:

1. INTERCHANGE ANY TWO LINE LEADS TO REVERSE ROTATION.
2. OPTIONAL THERMOSTATS ARE PROVIDED WHEN SPECIFIED.
3. ACTUAL NUMBER OF INTERNAL PARALLEL CIRCUITS MAY BE A MULTIPLE OF THOSE SHOWN ABOVE.
4. LEAD COLORS ARE OPTIONAL. LEADS MUST ALWAYS BE NUMBERED AS SHOWN.

REV. DESC: REVISE TO SHOW OPTIONAL COLORS			
REV. LTR: E	BY: JLP	REVISED: 01/19/99 10:15	TDR: 0171435
900000		FILE: AAA00005140	MDL: -
		MTL: -	

BALDOR ELECTRIC Co.

3PH, DV, 9 LEADS

CD0005