

LOW-PROFILE WALL-MOUNT AND FREE-STAND DISCONNECT ENCLOSURE

SPECIFICATIONS

- .074-in., .098-in. or .121-in. steel
- Seams continuously welded and ground smooth
- Body stiffeners in larger enclosures for extra rigidity
- Heavy duty lifting eyes anchor into reinforced top on larger models
- Removable centerposts for easy panel installation
- Removable door with hidden hinges
- Rugged PowerGlide handle; 2-point latch on enclosures up to 36 in. (914 mm); 3-point latch on enclosures 42 in. (1067 mm) and above
- Oil-resistant gasket
- Removable .127-in. thick steel panels mount on collar studs; purchase panels separately
- Master door is far right-hand door on all enclosures
- Mechanical interlock activated by master door prevents slave disconnect switches and circuit breakers
- Removable .127-in. thick steel panels mount on collar studs; purchase panels separately

INDUSTRY STANDARDS

UL 508A Listed; Type 12; File No. E61997
cUL Listed per CSA C22.2 No. 94; Type 12; File No. E61997

NEMA/EEMAC Type 12
IEC 60529, IP55

APPLICATION

free-stand models, the larger wall-mount sizes accommodate more
Free-stand enclosures are 48- and 60-in. high to provide a clear line of site above the enclosure.

FINISH

ANSI 61 gray polyester powder paint inside and out.

ACCESSORIES

- See also Accessories
- Electric Heater
- INTERSAFE Data Interface Ports, Type 4/4/12
- PANELITE Enclosure Lights Overview
- Steel and Stainless Steel Window Kits

MODIFICATION AND CUSTOMIZATION

Hoffman excels at modifying and customizing products to distributor for complete information.

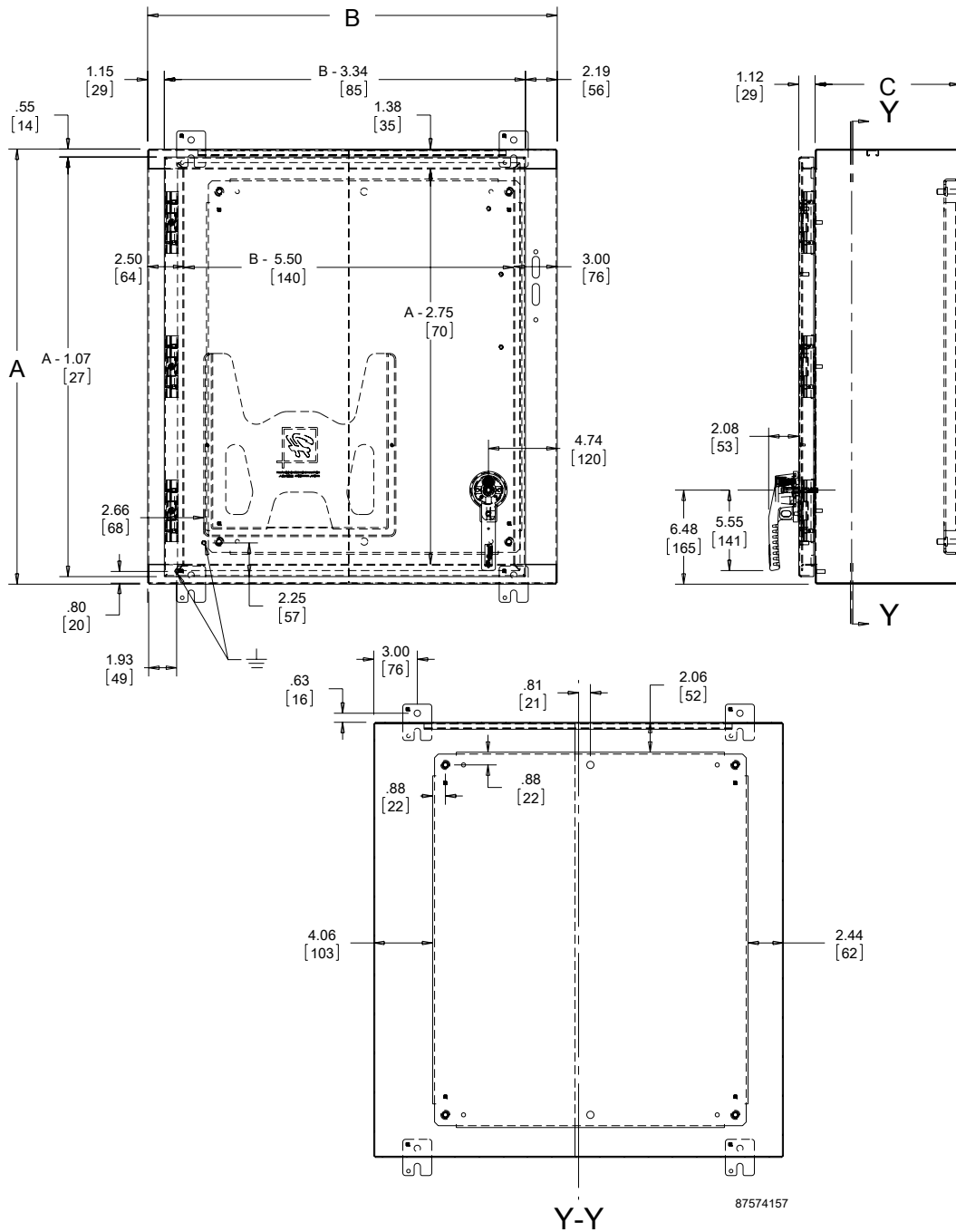
BULLETIN: A26M1, A26M2, A26MM

Standard Product

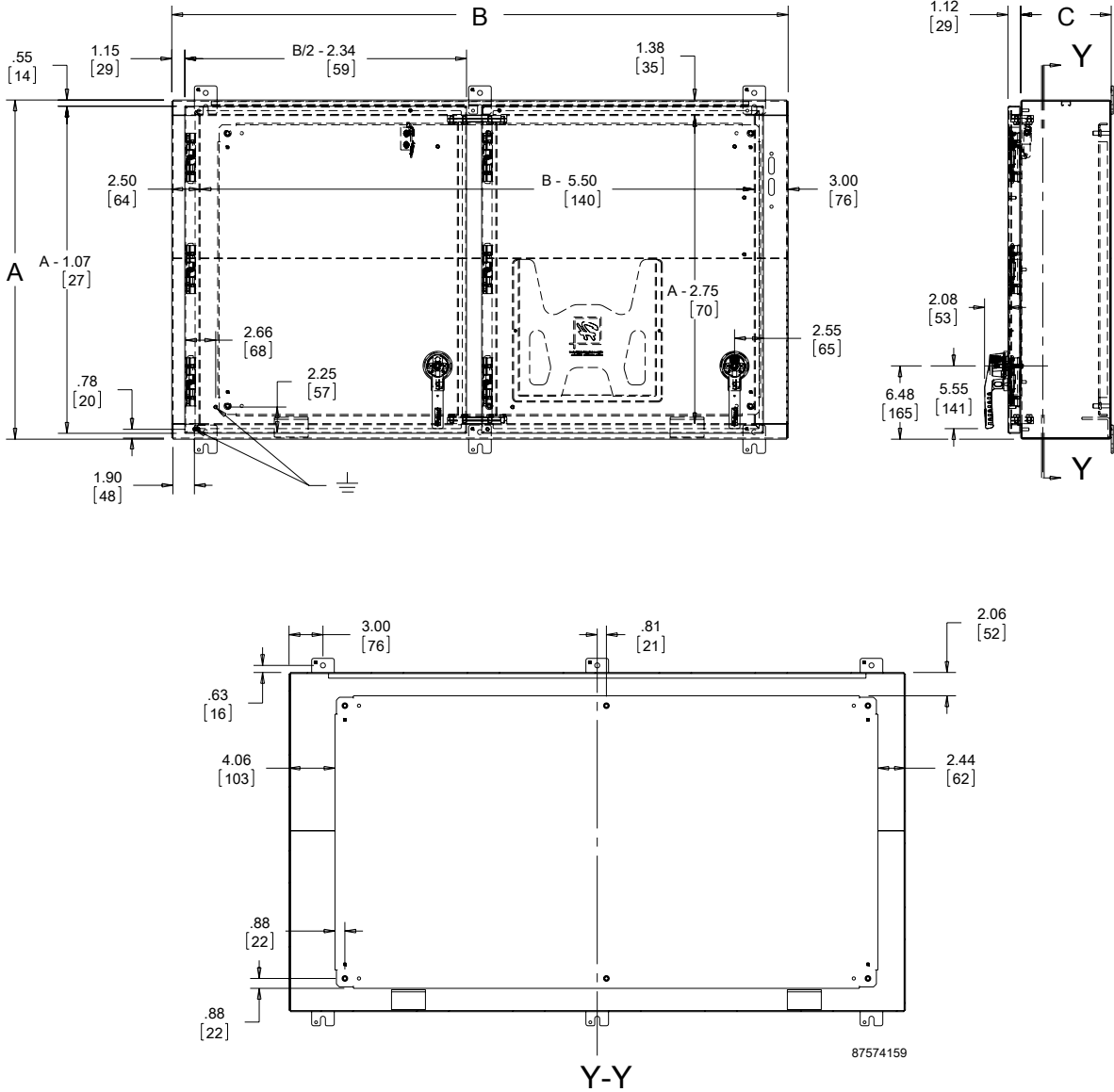
| Catalog Number | AxBxC in. | AxBxC mm | Description | Body Thickness (in.) | Panel | Conductive Panel | Panel Qty. | Lifting Eyes |
|----------------|-----------------------|-------------------|-------------|----------------------|--------|------------------|------------|--------------|
| A30X1E2808 | 30.00 x 28.25 x 8.00 | 762 x 718 x 203 | Wall-Mount | .074 | A25P21 | A25P21G | 1 | 0 |
| A30X1E2810 | 30.00 x 28.25 x 10.00 | 762 x 718 x 254 | Wall-Mount | .074 | A25P21 | A25P21G | 1 | 0 |
| A36X1E2808 | 36.00 x 28.25 x 8.00 | 914 x 718 x 203 | Wall-Mount | .074 | A31P21 | A31P21G | 1 | 0 |
| A36X1E2810 | 36.00 x 28.25 x 10.00 | 914 x 718 x 254 | Wall-Mount | .074 | A31P21 | A31P21G | 1 | 0 |
| A42X1E2808 | 42.00 x 28.25 x 8.00 | 1067 x 718 x 203 | Wall-Mount | .074 | A37P21 | A37P21G | 1 | 0 |
| A42X1E2810 | 42.00 x 28.25 x 10.00 | 1067 x 718 x 254 | Wall-Mount | .074 | A37P21 | A37P21G | 1 | 0 |
| A48X1E4010 | 48.00 x 40.25 x 10.00 | 1219 x 1022 x 254 | Free-Stand | .098 | A42P33 | A42P33G | 1 | 2 |
| A48X1E4024 | 48.00 x 40.25 x 24.00 | 1219 x 1022 x 610 | Free-Stand | .098 | A42P33 | A42P33G | 1 | 2 |
| A48X1E4018 | 48.00 x 40.25 x 18.00 | 1220 x 1023 x 457 | Free-Stand | .098 | A42P33 | A42P33G | 1 | 2 |
| A60X1E4008 | 60.00 x 40.25 x 8.00 | 1524 x 1022 x 203 | Free-Stand | .098 | A54P33 | A54P33G | 1 | 2 |
| A60X1E4010 | 60.00 x 40.25 x 10.00 | 1524 x 1022 x 254 | Free-Stand | .098 | A54P33 | A54P33G | 1 | 2 |
| A60X1E4018 | 60.00 x 40.25 x 18.00 | 1525 x 1023 x 457 | Free-Stand | .098 | A54P33 | A54P33G | 1 | 2 |
| A60X1E4024 | 60.00 x 40.25 x 24.00 | 1525 x 1023 x 610 | Free-Stand | .098 | A54P33 | A54P33G | 1 | 2 |

Purchase panels separately.

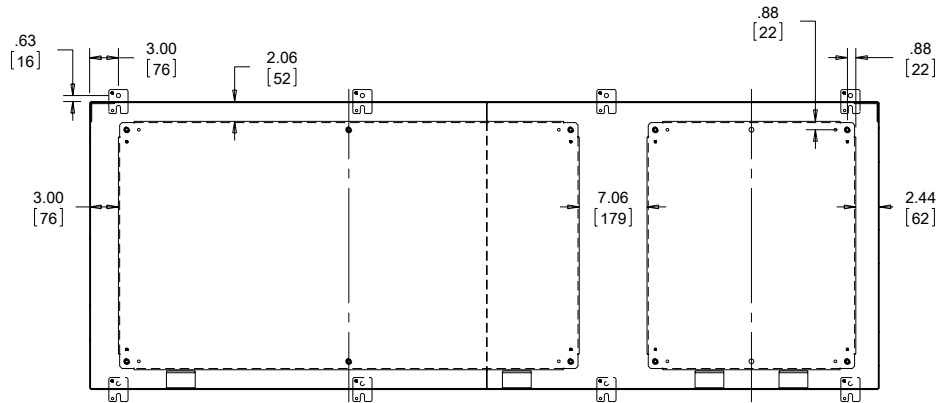
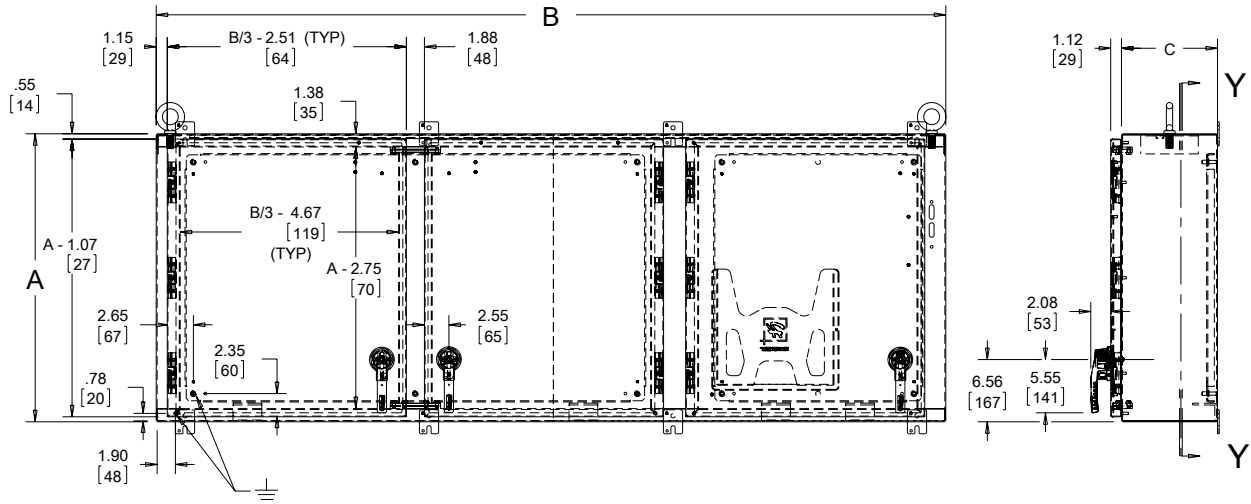
Single-Door Enclosures



Two-Door Enclosure



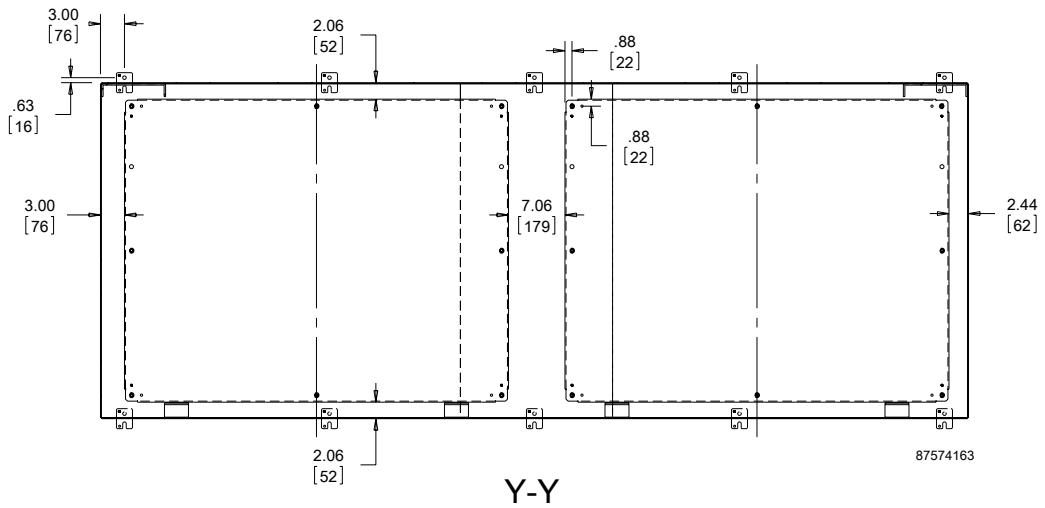
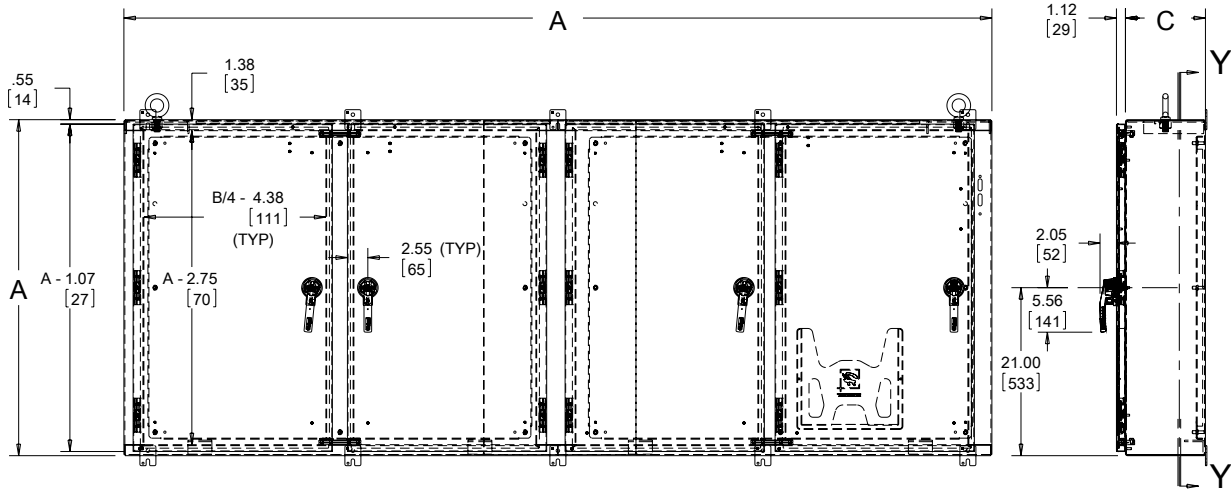
Three-Door Enclosure



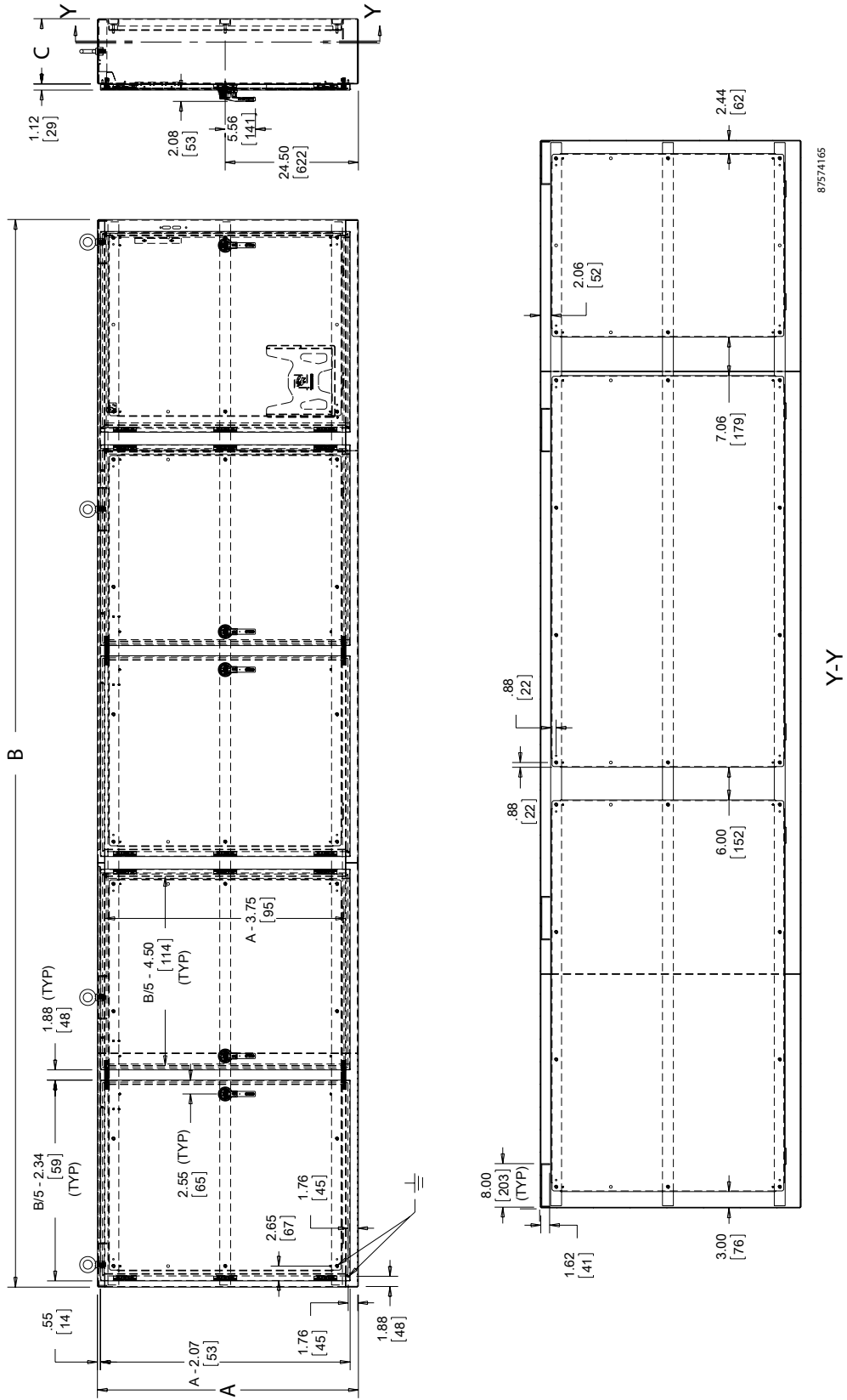
87574161

Y-Y

Four-Door Enclosure



Five-Door Enclosure



DISCONNECT MOUNTING SPACE

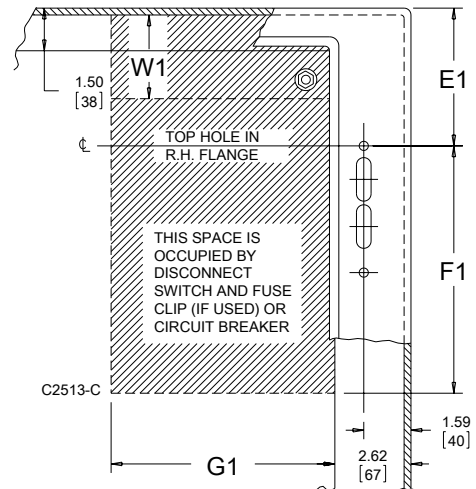
Disconnects will occupy space on panel shown by dimensions E1, F1 and G1 in Disconnect Mounting Space diagram. Wiring space W1 is available when disconnect is installed in the enclosure.

- E1 = 4.75 in. (121 mm) when C = 8.00 in. (203 mm)
- E1 = 7.09 in. (180 mm) when C = 10.00 in. (254 mm)
- E1 = 11.62 in. (294 mm) when C = 12.00 in. (305 mm)
- E1 = 11.62 in. (294 mm) when C = 16.00 in. (406 mm)
- E1 = 18.38 in. (467 mm) for A60SA3812A24LP
- W1 = Wiring Space.

See *Technical Information for wire bend space.*

Refer to **NATIONAL ELECTRICAL CODE 2005** article 430.10(B) for wiring space required for line side conductors to be connected to disconnect.

Verify your application to determine if wiring space is adequate



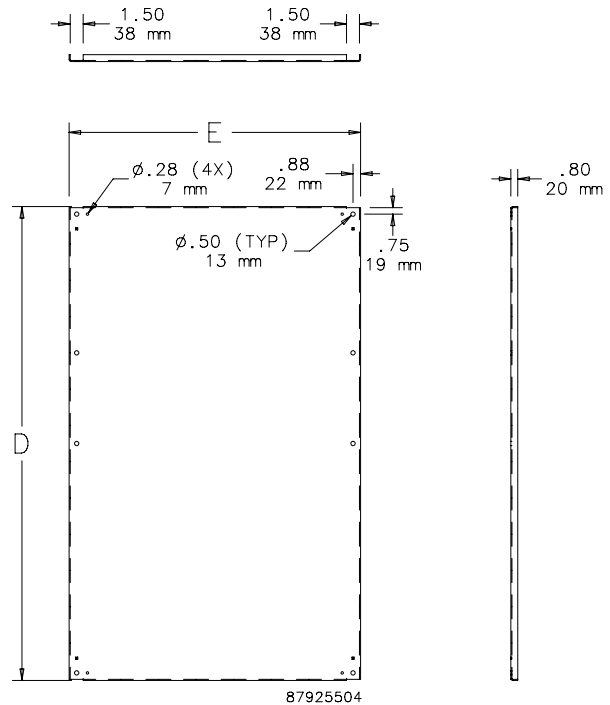
Consult disconnect manufacturer for F1 and G1 dimensions.

PANELS FOR A26 LOW-PROFILE TYPE 12 DISCONNECT ENCLOSURES

Optional panels for low-profile Type 12 enclosures (Bulletin A26) are .121-in. steel. Finish is white polyester powder paint or a conductive, corrosion-resistant coating. Mounting hardware included with enclosure.

BULLETIN: A26P

| Catalog Number | Finish | Panel Size D x E (in.) | Panel Size D x E (mm) | Fits Bay |
|----------------|---------------|---------------------------|--------------------------|----------|
| A25P21 | Painted steel | 25.88 x 21.75 | 657 x 552 | 1 |
| A31P21 | Painted steel | 31.88 x 21.75 | 810 x 552 | 1 |
| A31P21G | Conductive | 31.88 x 21.75 | 810 x 552 | 1 |
| A37P21 | Painted steel | 37.88 x 21.75 | 962 x 552 | 1 |
| A37P21G | Conductive | 37.88 x 21.75 | 962 x 552 | 1 |
| A42P33 | Painted steel | 42.88 x 33.75 | 1089 x 857 | 1 |
| A42P33G | Conductive | 42.88 x 33.75 | 1089 x 857 | 1 |
| A54P33 | Painted steel | 54.88 x 33.75 | 1394 x 857 | 1 |
| A54P33G | Conductive | 54.88 x 33.75 | 1394 x 857 | 1 |
| A25P48 | Painted steel | 25.88 x 48.00 | 657 x 1219 | 2 |
| A25P48G | Conductive | 25.88 x 48.00 | 657 x 1219 | 2 |
| A31P48 | Painted steel | 31.88 x 48.00 | 810 x 1219 | 2 |
| A31P48G | Conductive | 31.88 x 48.00 | 810 x 1219 | 2 |
| A37P48 | Painted steel | 37.88 x 48.00 | 962 x 1219 | 2 |
| A37P48G | Conductive | 37.88 x 48.00 | 962 x 1219 | 2 |
| A42P72 | Painted steel | 42.88 x 72.00 | 1089 x 1829 | 2 |
| A42P72G | Conductive | 42.88 x 72.00 | 1089 x 1829 | 2 |
| A54P72 | Painted steel | 54.88 x 72.00 | 1394 x 1829 | 2 |
| A54P72G | Conductive | 54.88 x 72.00 | 1394 x 1829 | 2 |



87925504

PREFERRED-CUTOUT OVERVIEW



APPLICATION

Enclosures having the preferred cutout are sized for use with up to 200A disconnect switches and up to 400A circuit breakers unless otherwise specified. The preferred cutout accepts the smaller operating handle whose mounting hole centers are 4.688 in. apart. Preferred cutouts are standard in mild steel wall-mount enclosures, modular enclosures and some select large mild steel enclosures. They are also present on all standard stainless steel offerings. Mild steel operator adapter plates with brand specific preferred cutouts are available for enclosures with a rectangular universal cutout.

Preferred cutouts are designed to house the following:

Allen Bradley

- Bulletin 1494U universal disconnect switches with flange-mount handles for either variable-depth, cable-operated mechanisms
- Bulletin 1494V disconnect switches with flange-mount variable-depth operating mechanisms and Bulletin 1494V flange-mount variable-depth operating mechanisms for circuit breakers
- Bulletin 140U flexible cable operating mechanisms for 140U molded case circuit breakers

- Bulletin 140G flexible cable and variable-depth, flange-mount, molded case circuit breakers
 - Bulletin 1494C cable-operated disconnect switches with flange-mount handles
 - Bulletin 194RC cable-operated flange-mount handles for use with the NFPA 79 compliant 194R IEC rotary disconnect switches
- Allen-Bradley Bulletin 1494V-R1, -R2 and -W2 operating handles and Allen-Bradley Bulletin 1494F disconnect devices or Bulletin 1494D circuit breaker operators will NOT fit these enclosures.**

ABB Controls flange-mount variable-depth operating mechanisms for disconnect switches and circuit breakers. Also the cable version for circuit breakers.

Eaton Cutler Hammer Type C361 flange-mount variable-depth operating mechanisms with disconnect switches and Type C371 flange-mount variable-depth operating mechanisms for circuit breakers.

General Electric Type STDA flange handles and variable-depth operating mechanisms for disconnect switches and circuit breakers. Also SPECTRAFLEX cable operators for circuit breakers.

Siemens IEMAX FLEX® flange-mount variable-depth operating handles for circuit breakers.

Schneider Square D® Class 9422 disconnect switches with flange-mount variable-depth operating mechanisms or cable mechanisms and Class 9422 flange-mount variable-depth operating mechanisms or cable mechanisms for circuit breakers.

These enclosures will NOT accept Square D Class 9422 bracket-mounted disconnect devices, Class 9422TG1 or TG2 devices.

ORDERING

The disconnect switch, operating handle, and operating mechanism must be ordered from disconnect equipment supplier. See Technical Information in the nVent HOFFMAN Specifier's Guide for wire bend space available when various manufacturers' disconnect switches are installed. Check the enclosure dimension drawings to verify the chosen disconnect switch will fit in the enclosure.

Notes