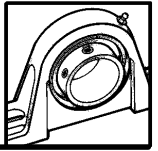
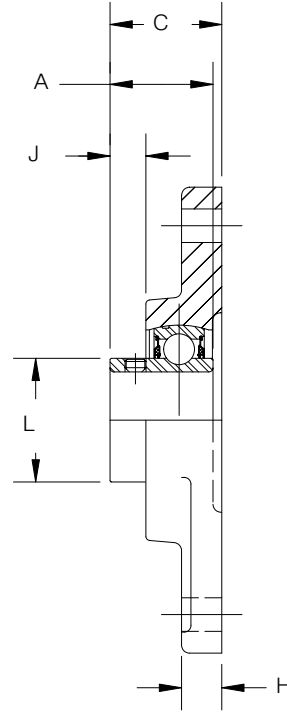
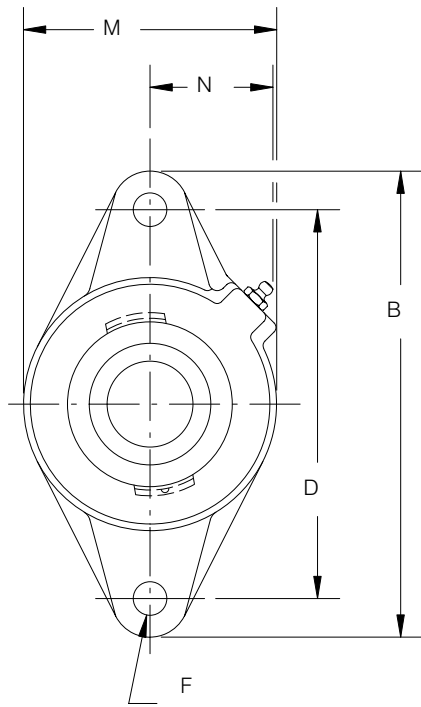


SELECTION/DIMENSIONS

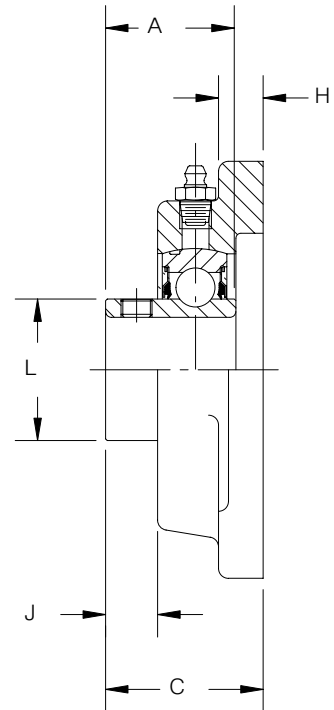
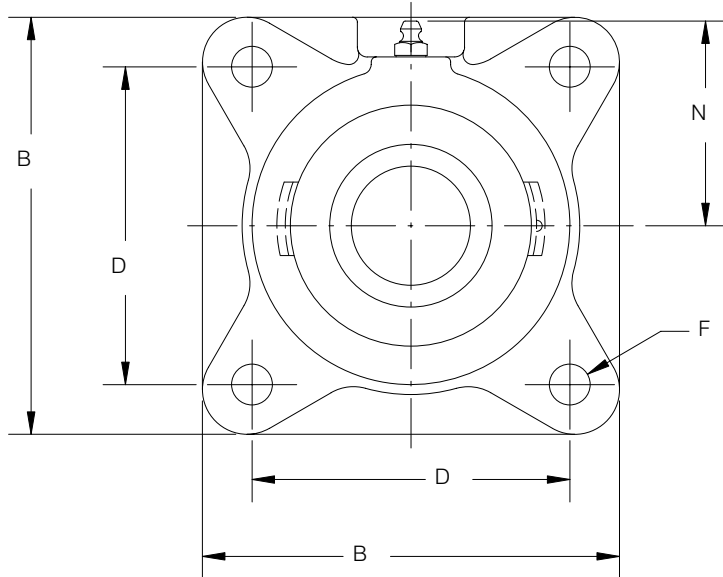


Setscrew Ball Bearings - Inch

SC Normal Duty 2 Bolt Flange Bearings

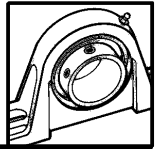


SC Normal Duty 4 Bolt Flange Bearings



FEATURE/BENEFITS SETSCREW BALL BEARINGS PAGE 2	HOW TO ORDER/ NOMENCLATURE PAGE 4	SELECTION PAGE 5	SC METRIC 2 BOLT FLANGE BEARINGS PAGE 74
--	---	---------------------	--

SELECTION/DIMENSIONS



Setscrew Ball Bearings - Inch SC Normal Duty 2 Bolt Flange Bearings

Series	Shaft Size	Part Number	Description	Weight lbs.	A	B	C	D	F Bolt Dia.	H	J	L	M	N
203	1/2 5/8	124198	F2B-SC-008	0.8	1	3-7/8	1-3/16	3	3/8	3/8	11/32	31/32	2-1/8	1-1/8
		124199	F2B-SC-010	0.7										
204	1/2 5/8 3/4	124166	F2B-SC-008L	1.6	1-5/32	4-13/32	1-3/8	3-17/32	3/8	1/2	25/64	1-1/8	2-3/8	1-1/2
		124167	F2B-SC-010L	1.5										
		124170	F2B-SC-012	1.4										
205	7/8 15/16 1	124171	F2B-SC-014	1.6	1-3/16	4-7/8	1-11/32	3-57/64	7/16	1/2	25/64	1-5/16	2-3/4	1-7/16
		124172	F2B-SC-015	1.5										
		124173	F2B-SC-100	1.4										
206	1-1/16 1-1/8 1-3/16 1-1/4	124410	F2B-SC-101	2.3	1-25/64	5-9/16	1-17/32	4-19/32	7/16	1/2	15/32	1-37/64	3-1/8	1-9/16
		124274	F2B-SC-102	2.2										
		124275	F2B-SC-103	2.1										
		123172	F2B-SC-104S	2.0										
207	1-1/4 1-5/16 1-3/8 1-7/16	124276	F2B-SC-104	3.5	1-17/32	6-1/8	1-3/4	5-1/8	1/2	9/16	17/32	1-27/32	3-3/4	1-27/32
		124411	F2B-SC-105	3.4										
		124277	F2B-SC-106	3.3										
		124278	F2B-SC-107	3.2										
208	1-1/2 1-5/8	124268	F2B-SC-108	4.1	1-11/16	6-3/4	1-7/8	5-21/32	1/2	9/16	17/32	2-3/64	4-1/8	1-53/64
		124412	F2B-SC-110	4.0										
209	1-5/8 1-11/16 1-3/4	125171	F2B-SC-110L	5.2	1-23/32	7-1/16	1-15/16	5-27/32	1/2	5/8	17/32	2-7/32	4-3/8	1-29/32
		124279	F2B-SC-111	5.0										
		124413	F2B-SC-112	4.9										
210	1-15/16 2	124269	F2B-SC-115	5.4	1-3/4	7-7/16	2	6-3/16	1/2	5/8	17/32	2-7/16	4-9/16	2-1/32
		124270	F2B-SC-200	5.2										
211	2 2-3/16 2-1/4	126293	F2B-SCM-200	6.7	1-27/32	8-5/8	2-5/32	7-1/4	5/8	11/16	9/16	2-23/32	5-1/4	2-17/64
		124034	F2B-SC-203	6.5										
		124373	F2B-SC-204	6.3										
212	2-7/16	053175	F2B-SC-207	7.0	1-63/64	9-13/16	2-9/32	7-61/64	7/8	13/16	9/16	2-31/32	5-1/2	2-15/32

SC Normal Duty 4 Bolt Flange Bearings

Series	Shaft Size	Part Number	Description	Weight lbs.	A	B	C	D	F Bolt Dia.	H	J	L	N
203	1/2 5/8	124048	F4B-SC-008	1.1	1	3	1-3/16	2-1/8	3/8	7/16	11/32	31/32	1-11/16
		124049	F4B-SC-010	1.0									
204	1/2 5/8 3/4	124098	F4B-SC-008L	1.8	1-5/32	3-3/8	1-23/64	2-1/2	3/8	7/16	25/64	1-1/8	1-15/16
		124099	F4B-SC-010L	1.7									
		124100	F4B-SC-012	1.6									
205	7/8 15/16 1	124101	F4B-SC-014	2.0	1-3/16	3-3/4	1-23/64	2-3/4	7/16	1/2	13/32	1-5/16	2-1/16
		124102	F4B-SC-015	1.9									
		124103	F4B-SC-100	1.8									
206	1-1/16 1-1/8 1-3/16 1-1/4	124218	F4B-SC-101	2.9	1-25/64	4-1/4	1-17/32	3-1/4	7/16	1/2	15/32	1-37/64	2-3/16
		124204	F4B-SC-102	2.8									
		124205	F4B-SC-103	2.7									
		123173	F4B-SC-104S	2.6									
207	1-1/4 1-5/16 1-3/8 1-7/16	124206	F4B-SC-104	4.0	1-17/32	4-3/4	1-23/64	3-5/8	1/2	9/16	17/32	1-27/32	2-7/16
		124219	F4B-SC-105	3.9									
		124207	F4B-SC-106	3.8									
		124208	F4B-SC-107	3.7									
208	1-1/2 1-5/8	124209	F4B-SC-108	4.8	1-11/16	5-1/8	1-7/8	4	1/2	9/16	17/32	2-3/64	2-3/8
		124210	F4B-SC-110	4.7									
209	1-5/8 1-11/16 1-3/4	125170	F4B-SC-110L	6.1	1-23/32	5-3/8	1-61/64	4-1/8	1/2	5/8	35/64	2-7/32	2-3/4
		124211	F4B-SC-111	6.0									
		124212	F4B-SC-112	5.9									
210	1-15/16 2	124213	F4B-SC-115	6.7	1-3/4	5-5/8	2-1/32	4-3/8	1/2	5/8	9/16	2-7/16	2-7/8
		124214	F4B-SC-200	6.6									
211	2 2-3/16 2-1/4	126192	F4B-SCM-200	9.3	1-27/32	6-1/2	2-5/32	5-1/8	5/8	11/16	9/16	2-23/32	3-1/4
		124215	F4B-SC-203	9.0									
		124216	F4B-SC-204	8.9									
212	2-1/4 2-7/16	126283	F4B-SCM-204	11.1	1-63/64	7	2-9/32	5-5/8	5/8	11/16	9/16	2-31/32	3-1/2
		124217	F4B-SC-207	10.6									
214	2-1/2 2-11/16	126195	F4B-SCM-208	16.0	2-15/64	7-3/8	2-3/4	5-7/8	5/8	11/16	9/16	3-5/16	3-11/16
		124261	F4B-SC-211	15.4									
215	2-15/16	124220	F4B-SC-215	17.6	2-9/32	7-3/4	2-57/64	6	3/4	1	41/64	3-5/8	3-7/8

DIMENSIONS SC METRIC 4 BOLT FLANGE BEARINGS PAGE 74	DIMENSIONS SC INSERTS PAGE 38	MODIFICATIONS PAGE 96	RELATED PRODUCTS PAGE 97
---	-------------------------------------	--------------------------	-----------------------------