



<b>Project:</b>	<b>Type:</b>
<b>Prepared By:</b>	<b>Date:</b>

Driver Info		LED Info	
Type	Constant	Watts	200/180/160W
120V	1.67A/1.50A/1.33A	Color Temp	3000K/4000K/5000K
208V	0.96A/0.87A/0.77A	Color Accuracy	80-84 CRI
240V	0.83A/0.75A/0.67A	L70 Lifespan	100,000 Hours
277V	0.72A/0.65A/0.58A	Lumens	21,533-27,908 lm
Input Watts	155.1-200.5W	Efficacy	125.8-152 lm/W

## Technical Specifications

### Field Adjustability

#### Field Adjustable:

Field Adjustable Light Output:  
200W/180W/160W (factory default: 200W)  
Color Temperature Selectable:  
3000K, 4000K and 5000K (factory default:4000K)

### Compliance

#### UL Listed:

Suitable for wet locations. Suitable for mounting within 4ft (1.2m) of the ground.

#### IESNA LM-79 & LM-80 Testing:

RAB LED luminaires and LED components have been tested by an independent laboratory in accordance with IESNA LM-79 and LM-80.

#### IP Rating:

Ingress protection rating of IP66 for dust and water

#### Trade Agreements Act Compliant:

This product is a product of Cambodia and a "designated country" end product that complies with the Trade Agreements Act

#### DLC Listed:

This product is listed by Design Lights Consortium (DLC) as an ultra-efficient premium product that qualifies for the highest tier of rebates from DLC Member Utilities. Designed to meet DLC 5.1 requirements.  
DLC Product Code: S-GZSNQT

### Performance

#### Lifespan:

100,000-Hour LED lifespan based on IES LM-80 results and TM-21 calculations

#### Wattage Equivalency:

200W: Replaces up to 750W Metal Halide (MH) or 400W High Pressure Sodium (HPS)  
180W: Replaces up to 750W Metal Halide (MH) or 400W High Pressure Sodium (HPS)  
160W: Replaces up to 750W Metal Halide (MH) or 400W High Pressure Sodium (HPS)

### Electrical

#### Driver:

Constant Current, Class 1, 120-277V, 50/60 Hz:  
150W: 120V: 1.25A, 208V: 0.72A, 240V: 0.63A, 277V: 0.54A  
120W: 120V: 1.0A, 208V: 0.58A, 240V: 0.5A, 277V: 0.43A  
100W: 120V: 0.83A, 208V: 0.48A, 240V: 0.42A, 277V: 0.36A

#### Dimming Driver:

Driver includes dimming control wiring for 0-10V dimming systems. Requires separate 0-10V DC dimming circuit. Dims down to 10%.

#### THD:

2.46% at 120V, 4.28% at 277V

### Power Factor:

99.9% at 120V, 96.5% at 277V

### 7-Pin Receptacle with Shorting Cap:

ANSI C136.41 7-pin receptacle, compatible with wireless control systems

### Surge Protection:

6kV

### Construction

#### IES Classification:

The Type III distribution is ideal for roadway, general parking and other area lighting applications where a larger pool of lighting is required. It is intended to be located near the side of the area, allowing the light to project outward and fill the area.

### Cold Weather Starting:

The minimum starting temperature is -40°C (-40°F)

### Maximum Ambient Temperature:

Suitable for use in up to 40°C (104°F)

### Lens:

Polycarbonate lens

### Housing:

Die-cast aluminum

## Technical Specifications (continued)

### Effective Projected Area:

- 1 Fixture: 0.4
- 2 Fixtures: 0.8
- 3 Fixtures: 1.4
- 4 Fixtures: 1.4

### Mounting:

Adjustable universal pole mount (standard).  
Slipfitter and wall mount accessory available.

### Finish:

Formulated for high durability and long-lasting color

### Gaskets:

High-temperature silicone gaskets

### Green Technology:

Mercury and UV free. RoHS-compliant components.

## LED Characteristics

---

### LEDs:

Long-life, high-efficacy, surface-mount LEDs

### Color Uniformity:

RAB's range of Correlated Color Temperature follows the guidelines of the American National Standard for Specifications for the Chromaticity of Solid State Lighting (SSL) Products, ANSI C78.377-2017.

## Optical

---

### BUG Rating:

- Type 3
- 200W: B3 U0 G3
- 180W: B3 U0 G3
- 160W: B3 U0 G2

## Other

---

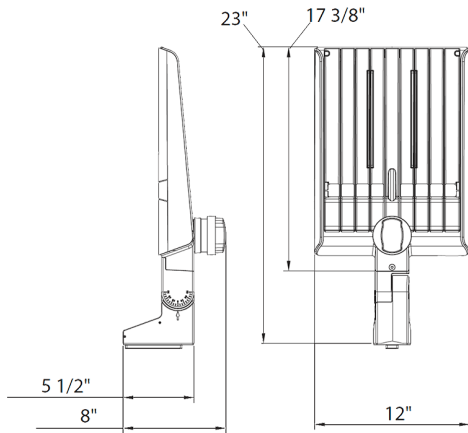
### 5 Yr Limited Warranty:

The RAB 5-year, limited warranty covers light output, driver performance and paint finish. RAB's warranty is subject to all terms and conditions found at [rablighting.com/warranty](http://rablighting.com/warranty).

### Buy American Act Compliance:

RAB values USA manufacturing! Upon request, RAB may be able to manufacture this product to be compliant with the Buy American Act (BAA). Please contact customer service to request a quote for the product to be made BAA compliant.

## Dimensions



## Features

- DLC Premium listed
- Adjustable Universal Pole Mount
- 7-Pin Receptacle with Shorting Cap
- IP66 Rated
- 100,000-Hour LED lifespan
- 5-Year, limited warranty

## Ordering Matrix

Family	Optics	Wattages	Mounting	Color Temp	Finish	Voltage	Options
A22	-	200			W		
	2T = Type II 4T = Type IV 5T = Type V Blank = Type III	70 = 70/60/50W 100 = 100/80/60W 150 = 150/120/100W 200 = 200/180/160W 320 = 320/280/250W	Blank = Universal Adjustable Pole Mount	Blank = 3000K/4000K/5000K CCT Adjustable	Blank = Bronze W = White B = Black	Blank = 120-277V, 0-10V Dimming /480 = 480V, 0-10V Dimming	Blank = 7-Pin Receptacle with Shorting Cap /MVS = 7-Pin Receptacle with Shorting Cap and Microwave Occupancy Sensor /LCBS = Lightcloud Blue Enabled w/PIR Sensor /LCBS/MVS = Lightcloud Blue Enabled w/MVS Sensor