

Perfect for outdoor/indoor flood illumination

The Champ® Pro PFM Family

Champ® Pro PFM Series Floodlights are designed to provide full-spectrum, crisp, white light. Five versions of the Champ PFM LED are available, providing ideal solutions for a wide range of applications.

Champ® Pro PFM Model	Equivalent MH HID Lamp	Energy Savings
PFM5L	100W-150W	Up to 62%!
PFM7L	150W-175W	
PFM9L	175W-250W	
PFM11L	250W-400W	
PFM13L	400W	

Certifications and Compliances:

- UL1598
- UL1598A
- cUL
- NEMA 4X; IP66
- DesignLights Consortium® approved for select models (refer to Ordering Information for details)

Drivers:

Model	5L - 13L
Standard	90-305 VAC, 50 / 60 Hz; 108-250 VDC
Option 1	347 VAC Model
Option 2	480 VAC Model

Standard Materials:

- Housing – copper-free aluminum with Corro-free™ epoxy powder coat
- Lens – shatter-resistant glass
- Gaskets – silicone
- External hardware – stainless steel
- Factory-sealed, no external seals required

LED System:

- High brightness light emitting diode (LED) arrays
- Color temperature: 3000K (CRI 82) and 5600K (CRI 65) options available
- Advanced heat sink design ensures LED does not exceed manufacturer's temperature ratings across all specified ambient conditions



Electrical Ratings:

	PFM5L	PFM7L	PFM9L	PFM11L	PFM13L
Voltage Range, VAC	100-277V 50-60 Hz				
	347 / 480V 60 Hz				
Voltage Range, VDC	108-250	108-250	108-250	108-250	108-250
Input Power (Nom.)	64	89	121	149	179
Input Amps (Max.)	0.550	0.800	1.083	1.608	1.608
Power Factor	>0.85	>0.85	>0.85	>0.85	>0.85

Ordering Information:

Color Temperature	5L Series	7L Series	9L Series	11L Series	13L Series
Cool Color Temperature	PFM5LCY/UNV1 76	PFM7LCY/UNV1 76	PFM9LCY/UNV1 76	PFM11LCY/UNV1 76	PFM13LCY/UNV1 76
	PFM5LCY/120 76*	PFM7LCY/120 76*	PFM9LCY/120 76*	PFM11LCY/120 76*	PFM13LCY/120 76*
Warm Color Temperature	PFM5LWY/UNV1 76	PFM7LWY/UNV1 76	PFM9LWY/UNV1 76	PFM11LWY/UNV1 76	PFM13LWY/UNV1 76

For 347 VAC option, replace /UNV1 with /347. For 480 VAC option, replace /UNV1 with /480.

To order fixture without optics, remove '76' from the end of the catalog number.

*5 year limited warranty. Refer to page 2 of the D-0413 authorized distributor price book for Cooper Crouse-Hinds standard Terms and Conditions. DesignLights Consortium approved models. Cool white only.

Options:

Description	Suffix
Fused (only applies to UNV1 model, not available for 347V or 480V; NOT marine or cUL Listed)	S658
Two conduit/cable glands of like thread installed	S886

Accessories:

Description	Catalog No. Sold Separately
Bolt-on visor (sold separately)	DSV1
Bolt-on wire guard (sold separately)	P61
Floodlight slipfitter (sold separately)	SFA6
Slipfitter wall mount adapter (sold separately)	SWB6

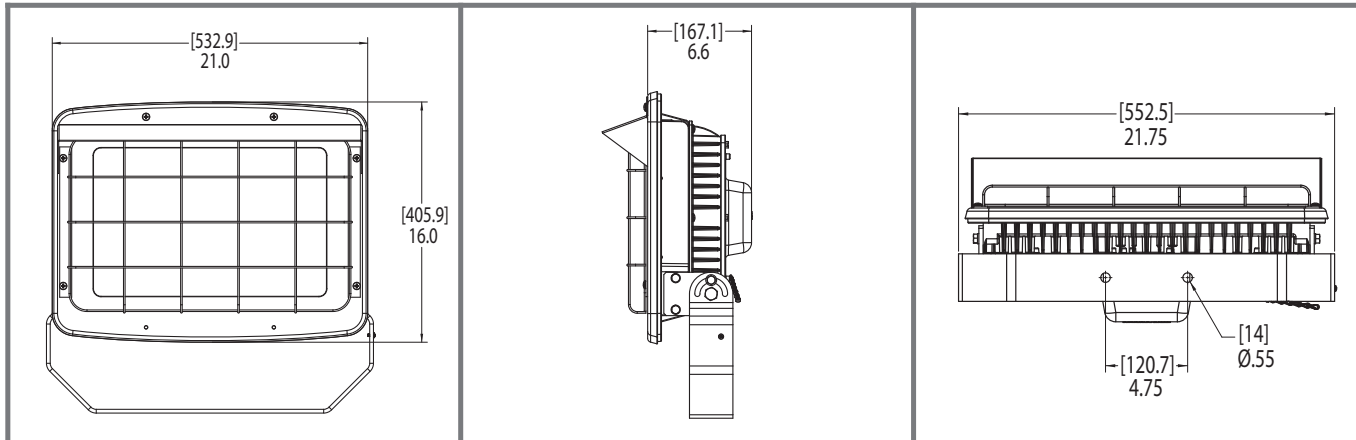
Champ® Pro PFM Series Luminaires

UL/cUL Listed
NEMA 4X
IP66

2L

Perfect for outdoor/indoor flood illumination

Dimensions:



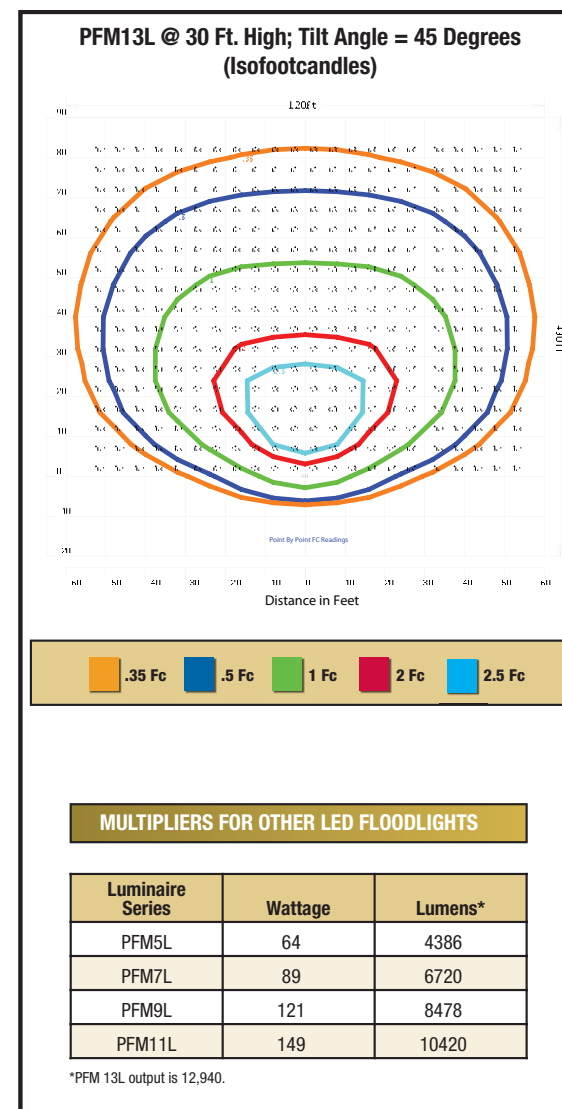
Weights:

Model	Lbs.
5L	39.11
7L	39.16
9L	39.73
11L	40.35
13L	40.35

Ambient Temperature:

Champ® Pro PFM Model	Max. Temp. °C
PFM5L	55
PFM7L	55
PFM9L	55
PFM11L	40
	55
PFM13L	40
	55

Photometric Data:



2L