

**SBE - Open Style, Copper Wound - SBE performance in larger VA (1500 - 5000) sizes**

The open style Solahd SBE Series provides voltage regulation in excess of NEMA recommendations without exceeding 55°C rise. These higher power capacity transformers are the best choice when 80% or more of the load components are electromagnetic devices.



**Features**

- Interleaved copper windings reduce I<sup>2</sup>R losses and maximize efficiency
- Ratings 60 Hz unless noted 50/60 Hz
- Meets or exceeds electrical requirements of NEMA, ANSI, NMTBA and JIC
- 55°C rise, 105°C insulation system
- High quality silicon steel core



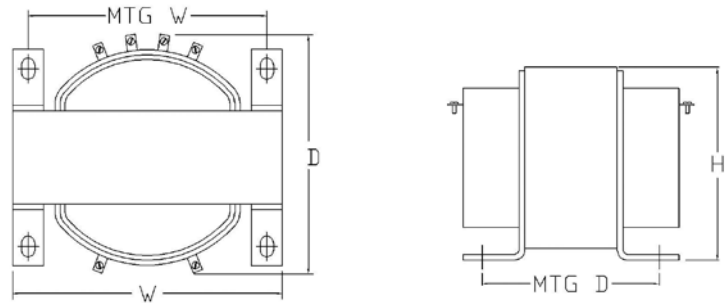
**Certifications and Compliances**

- Listed: E77014 - Type SZO  
- UL 5085-1, UL 5085-2
- Certified LR14328-4  
- CSA C22.2 No. 66.1, No. 66.2
- RoHS Compliant

**Related Products**

- Linear Power Supplies
- DIN Rail DC Power Supplies
- Constant Voltage Transformers

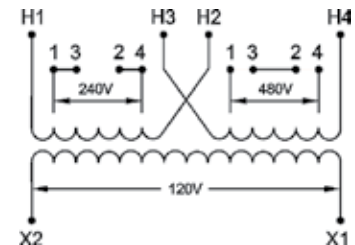
**Design Style**



**Selection Table**

**Group 1 – 240 X 480 Volt Primary, 120 Volt Secondary 60 Hz**  
**230 X 460 Volt Primary, 115 Volt Secondary 50/60 Hz**  
**220 X 440 Volt Primary, 110 Volt Secondary 50/60 Hz**

VA	Catalog Number	Height in (mm)	Width in (mm)	Depth in (mm)	Mtg Width in (mm)	Mtg Depth in (mm)	Slot Size in (mm)	Approx. Ship Weight lbs (kg)
1500	<b>Y1500</b>	6.25 (158.8)	6.75 (171.5)	8.75 (222.3)	5.75 (146.1)	6.38 (162.1)	.44 x .69 (11.2 x 17.5)	43.0 (19.55)
2000	<b>Y2000</b>	6.25 (158.8)	6.75 (171.5)	10.00 (254.0)	5.75 (146.1)	7.75 (196.9)	.44 x .69 (11.2 x 17.5)	55.0 (25.00)
3000	<b>Y3000</b>	8.00 (203.2)	9.00 (228.6)	9.63 (244.6)	8.00 (203.2)	6.00 (152.4)	.44 x .69 (11.2 x 17.5)	74.0 (33.64)
5000	<b>Y5000</b>	8.00 (203.2)	9.00 (228.6)	12.00 (304.8)	8.00 (203.2)	8.75 (222.3)	.44 x .69 (11.2 x 17.5)	120.0 (54.55)



Note: Fuse holders are not available for this voltage configuration.