

Straight Blade Devices
 20A, 125V, 2 Pole, 3 Wire Grounding
 HBL® Extra Heavy Duty Compact, Side
 Wired Only, Duplex Receptacle

HUBBELL

Features

- Slender/compact design
- Brass Mounting Strap
- Triple wipe contacts

Ordering Information

Description	Device Color	UPC	Catalog Number
Side wired only	Ivory	783585434803	HBL5342I

Listings

UL Listed to UL498 File No. E2186
 Certified to CSA 22.2, No. 42 File 285
 Fed. Spec. WC596
 NEMA® WD-6 Compliant

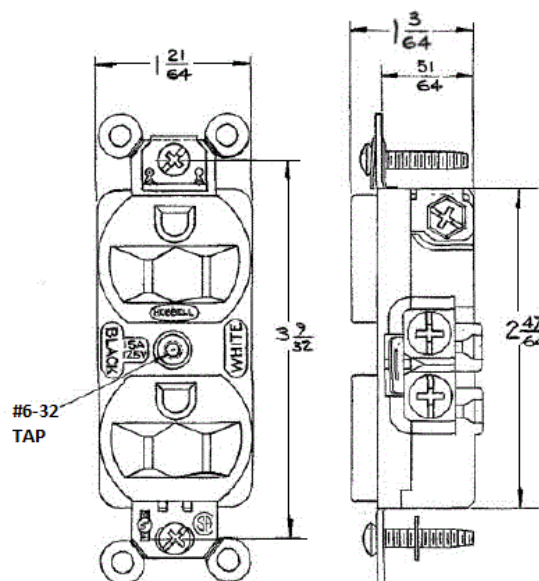
Specifications

Face	Nylon
Base	PBT
Power Contacts	.032" (.8) Brass
Ground Contact	.031 in. (.8) Brass
Terminal Screws	Brass
Mounting Strap	.050" (1.3) Brass
Automatic Self-grounding Clip	Stainless steel
Mounting Screws	Steel-Zinc Plated

Performance

Electrical	
Current Interrupting	Certified for current interrupting at full rated current
Dielectric Voltage	Withstands 2,000V minimum
Mechanical	
Product Identification	Ratings are a permanent part of the device
Terminal Accommodation	#12-#10 AWG stranded or solid copper wire only
Terminal Identification	Terminals identified in accordance with UL 498 and CSA

Environmental	
Flammability	Top: UL 94V-2, Base: UL 94V-0
Operating Temperatures	Maximum continuous 75°C; minimum -40°C (w/o impact)



Accessories

Wallplate or Weatherproof Cover Duplex Opening

Resources

Customer Use Drawing
 eCatalog

Dimensions in Inches (mm)

Hubbell Wiring Device-Kellems • Hubbell Incorporated (Delaware) • 40 Waterview Drive • Shelton, CT 06484

Phone (800) 288-6000 • Fax (800) 255-1031 • Specifications subject to change without notice.

