

► Model RSL-LMB

Radiant Steady, Bright Light Module



RSL-LMB offers a bright, steady LED light with high optical performance. Its modular design and simple functionality combined with bright LED's, make this stack light option the right choice for an advanced application.

RSL-LMB-F consists of a colored fresnel lens with a colored LED. The use of a colored lens with the same colored light source allows for optimization of the emission frequency, producing a rich intense light output.

RSL-LMB-C consists of a clear fresnel lens with colored LED for use in very bright environments or outdoor applications.

FEATURES

- Modular design allows for up to 7 light modules: 6 light modules & 1 sound module (1 channel) or 5 light modules & 1 sound module (2 channels)
- Steady light effect with 6 bright LEDs
- Two lens types: Clear and Colored
- Compatible with 12-24VAC/DC or 120-240VAC*
- PLC compatible
- Indoor/outdoor use
- Type 4X, IP65 enclosure when installed with both gaskets included with each module
- IP69K compliant when installed with both gaskets included on each module
- CE Certified
- UL and cUL Listed

*Voltage dependent on selected wiring module

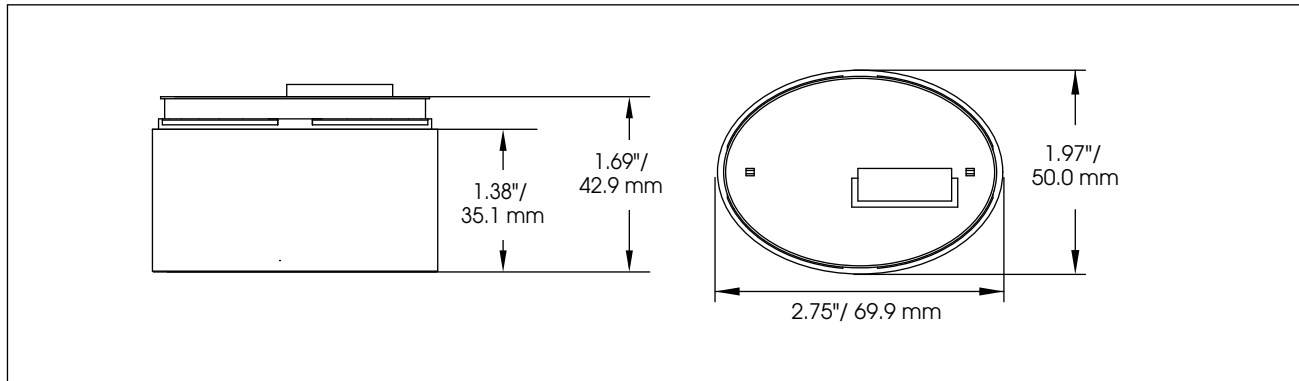


Wiring Modules

MODEL	MAXIMUM OPERATING CURRENT* (mA)			
	24VDC	24VAC	120VAC	240VAC
RSL-LMB				
RSL-WML/RSL-WMH	50	60	35	25
RSL-WMLM/RSL-WMHM	70	100	35	25

* Maximum operating current listed is for one module. For multiple modules the current will have to be added together throughout the configuration to get the total maximum operating current.

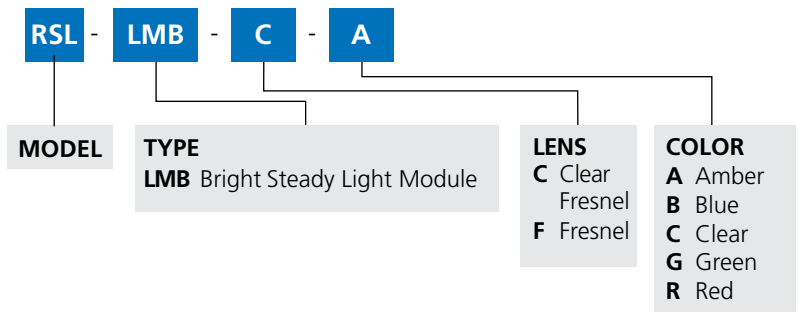
Radiant Steady, Bright Light Module (RSL-LMB)



SPECIFICATIONS

Lamp Life:	50,000 Hours	Wiring Module:		
Light Source:	LED	Height*	1.38"	35.1 mm
Operating Temperature:	-22°F to 122°F -30°C to 50°C	Width	2.75"	69.9 mm
Net Weight:	1.41 oz 0.04 kg	Depth	1.97"	50.0 mm
Shipping Weight:	1.60 oz 0.05 kg	*Height dependent on complete configuration.		

HOW TO ORDER



Stack Light Configuration Steps:

- 1: Select your mounting base
- 2: Select your wiring module based on:
 - A: Voltage
 - B: Steady or flashing effects
- 3: Select your light module(s) based on:
 - A: Color
 - B: Brightness
 - C: Lens type
 - D: Steady or flashing effects
- 4: Select your sound module (optional)

Order Example for a Flashing Radiant Stack Light with Flash Pattern Selection in the Wiring Module

Example of what is needed to order a model with 12VDC, Flashing, Amber and Red LEDs, Clear Lens, Wall Mount, Sixteen-Tone Sound Module, Black Housing

QTY	MODEL	DESCRIPTION
1	RSL-BW-BK	Wall Base, Black
1	RSL-WMLM-012-024BK	12-24VAC/DC Multi-Pattern Wiring Module, Black
1	RSL-LMB-C-R	Steady Light Module, Clear Lens, Red
1	RSL-LMB-C-A	Steady Light Module, Clear Lens, Amber
1	RSL-SMM-BK	Sixteen-Tone Sound Module, Black