

# **BALDOR**® • **RELIANCE**

## **Product Information Packet**

# **GDL1615T**

**16HP, 1760RPM, 1PH, 60HZ, 256TZ, 3956LC, OPSB**

Part Detail							
Revision:	U	Status:	PRD/A	Change #:		Proprietary:	No
Type:	AC	Prod. Type:	3956LC	Elec. Spec:	39WGX522	CD Diagram:	CD1084
Enclosure:	OPSB	Mfg Plant:		Mech. Spec:	39T017	Layout:	39LYT017
Frame:	256TZ	Mounting:	F1	Poles:	04	Created Date:	10-03-2005
Base:	RG	Rotation:	R	Insulation:	F	Eff. Date:	09-21-2016
Leads:	2#6 A PH,2#12 B PH					Replaced By:	
Literature:		Elec. Diagram:					

Nameplate NP1256L										
CAT.NO.	GDL1615T									
SPEC.	39T017X522									
HP	16									
VOLTS	208-230									
AMP	71-62									
RPM	1760									
FRAME	256TZ				HZ	60			PH	1
SER.F.	1.00		CODE	L	DES	L		CLASS	F	
NEMA-NOM-EFF	86.5		PF	96						
RATING	40C AMB-CONT									
CC									USABLE AT 208V	
DE	6309				ODE	6307				
ENCL	OPSB		SN							

**AC Induction Motor Performance Data**

Record # 37180 - Typical performance - not guaranteed values

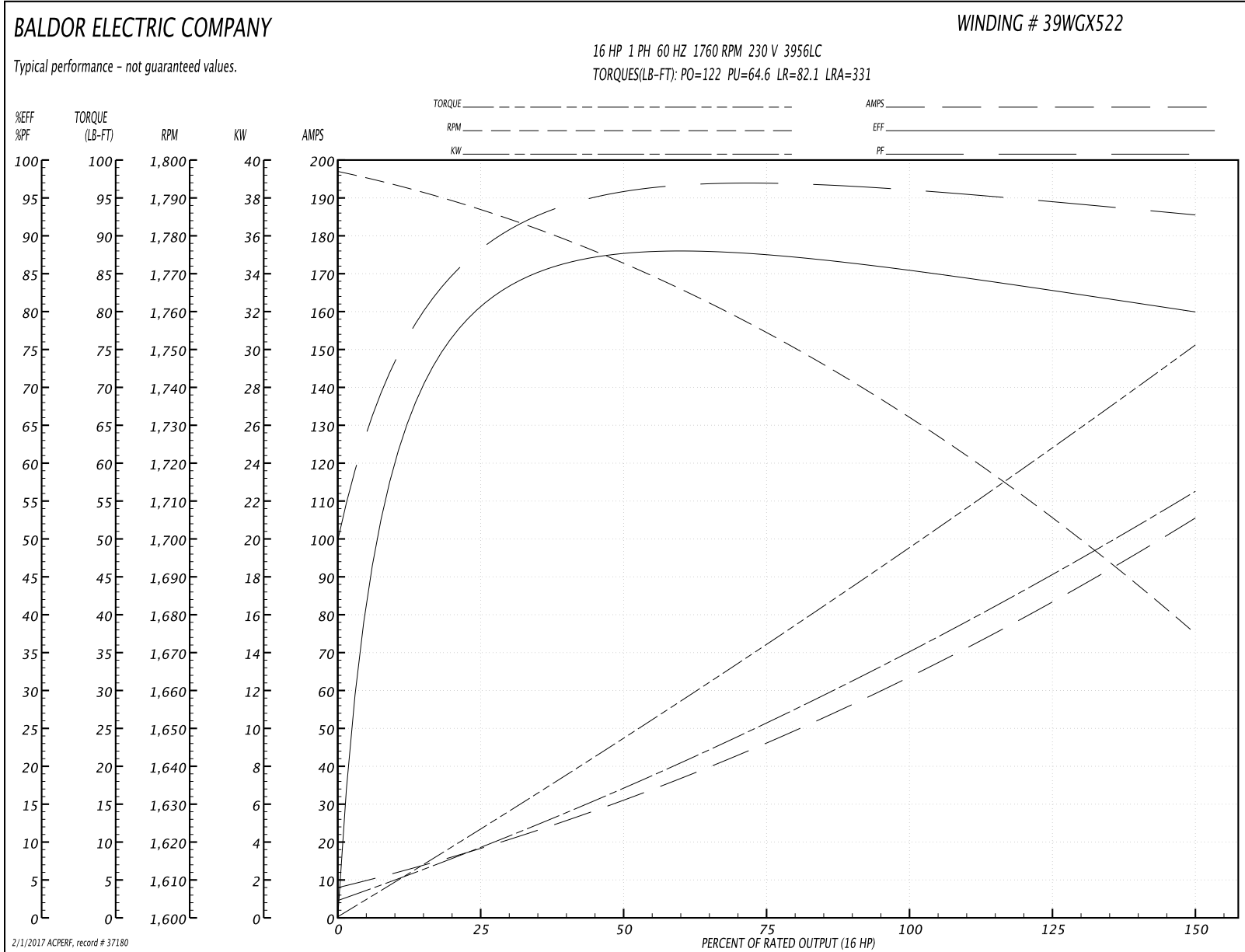
<b>Winding:</b> 39WGX522-R006	<b>Type:</b> 3956LC	<b>Enclosure:</b> OPSB
-------------------------------	---------------------	------------------------

Nameplate Data				230 V, 60 Hz: Single Voltage Motor	
Rated Output (HP)	16			Full Load Torque	48.7 LB-FT
Volts	208-230			Start Configuration	direct on line
Full Load Amps	71-62			Breakdown Torque	122 LB-FT
R.P.M.	1760			Pull-up Torque	64.6 LB-FT
Hz	60	Phase	1	Locked-rotor Torque	82.1 LB-FT
NEMA Design Code	L	KVA Code	L	Starting Current	331 A
Service Factor (S.F.)	1			No-load Current	7.42 A
NEMA Nom. Eff.	86.5	Power Factor	96	Line-line Res. @ 25°C	0.11 Ω A Ph 0.419 Ω B Ph
Rating - Duty	40C AMB-CONT			Temp. Rise @ Rated Load	54°C

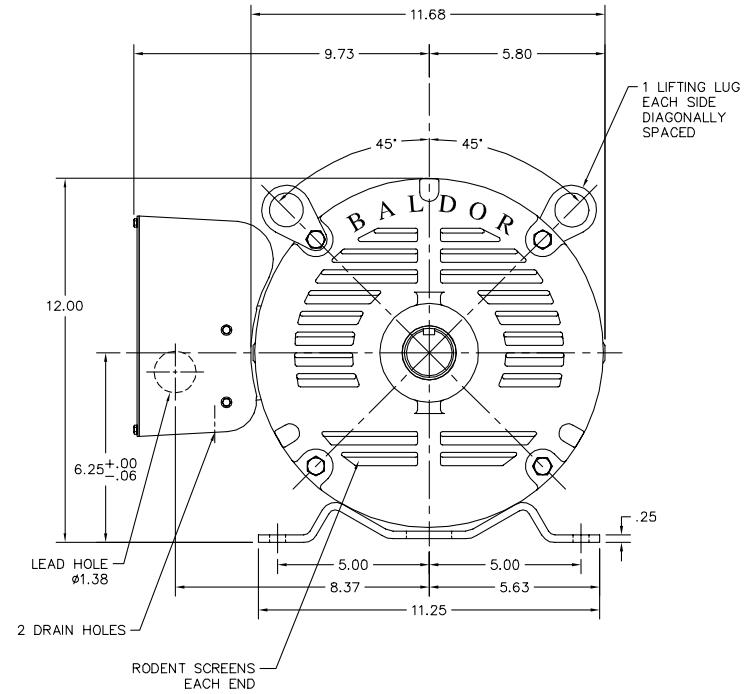
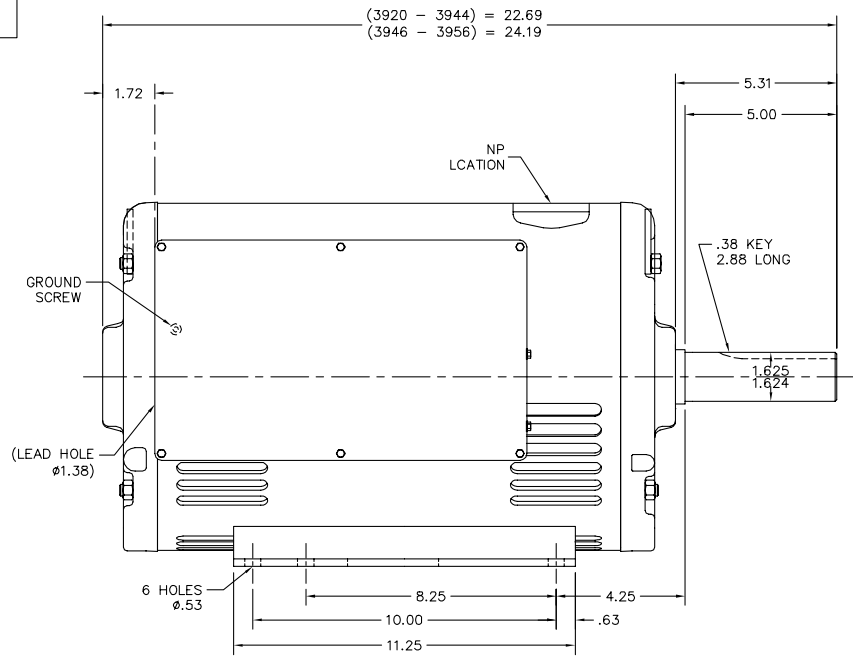
Load Characteristics 230 V, 60 Hz, 16 HP

% of Rated Load	25	50	75	100	125	150
Power Factor	91	96	96	96	95	93
Efficiency	82.9	78.7	89.1	87.3	84.2	78.8
Speed	1785	1771	1753	1734	1710	1672
Line amperes	17.5	34.6	45.6	62.4	81.4	107

Performance Graph at 230V, 60Hz, 16.0HP Typical performance - Not guaranteed values



39LYT017



CUSTOMER IS RESPONSIBLE FOR DETERMINING THAT MOTOR PERFORMANCE IS SUITABLE IN THE APPLICATION.

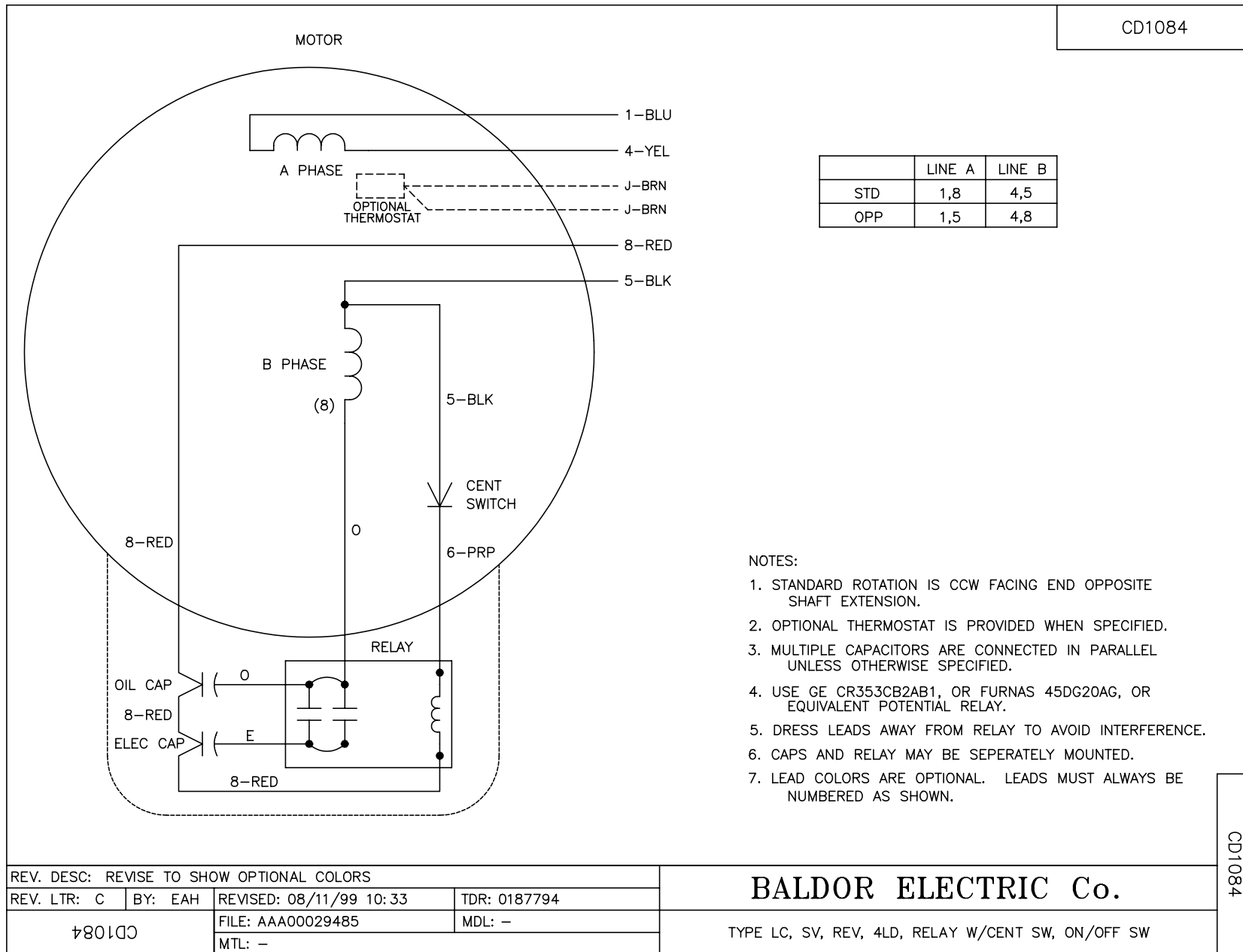
REV. DESC: OPEN IN ACAD SO THE REV WILL MATCH BUS		
REV. LTR: B	VERSION: 02	TDR: 000000425457
FILE: \AAA\00113\683	REVISED: 12:36:12 03/16/2007	BY: ENROBRO
MTL: -		

**BALDOR ELECTRIC Co.**

HOR OPSB 254-6TZ LC: SPL SWITCH, ROD SCREENS, SEALED BRGS

39LYT017

CD1084



REV. DESC: REVISE TO SHOW OPTIONAL COLORS			
REV. LTR: C	BY: EAH	REVISED: 08/11/99 10:33	TDR: 0187794
†8010C		FILE: AAA00029485	MDL: -
		MTL: -	

**BALDOR ELECTRIC Co.**

TYPE LC, SV, REV, 4LD, RELAY W/CENT SW, ON/OFF SW

CD1084