

# **BALDOR**® • ***RELIANCE***

## **Product Information Packet**

# **EM3610T**

**3HP,3450RPM,3PH,60HZ,182T,3532M,TEFC,F1**

Part Detail							
Revision:	F	Status:	PRD/A	Change #:		Proprietary:	No
Type:	AC	Prod. Type:	3532M	Elec. Spec:	35WGQ060	CD Diagram:	CD0005
Enclosure:	TEFC	Mfg Plant:		Mech. Spec:	35L100	Layout:	35LYL100
Frame:	182T	Mounting:	F1	Poles:	02	Created Date:	10-24-2012
Base:	RG	Rotation:	R	Insulation:	F	Eff. Date:	12-09-2016
Leads:	9#18					Replaced By:	
Literature:		Elec. Diagram:					

<b>Nameplate NP3441LUA</b>										
<b>CAT.NO.</b>	EM3610T									
<b>SPEC.</b>	35L100Q060G2									
<b>HP</b>	3									
<b>VOLTS</b>	230/460									
<b>AMP</b>	7.2/3.6									
<b>RPM</b>	3450									
<b>FRAME</b>	182T				<b>HZ</b>	60			<b>PH</b>	3
<b>SER.F.</b>	1.15		<b>CODE</b>	L	<b>DES</b>	B	<b>CL</b>	F		
<b>NEMA-NOM-EFF</b>	86.5		<b>PF</b>	92						
<b>RATING</b>	40C AMB-CONT									
<b>CC</b>	010A				<b>USABLE AT 208V</b>			7.9		
<b>DE</b>	6206				<b>ODE</b>	6203				
<b>ENCL</b>	TEFC		<b>SN</b>							
<b>VPWM INVERTER READY</b>										
<b>CT6-60H(10:1)VT3-60H(20:1</b>										
50Hz 3HP 190/380V 8.8/4.4A									SF1.0	

**AC Induction Motor Performance Data**

Record # 50261 - Typical performance - not guaranteed values

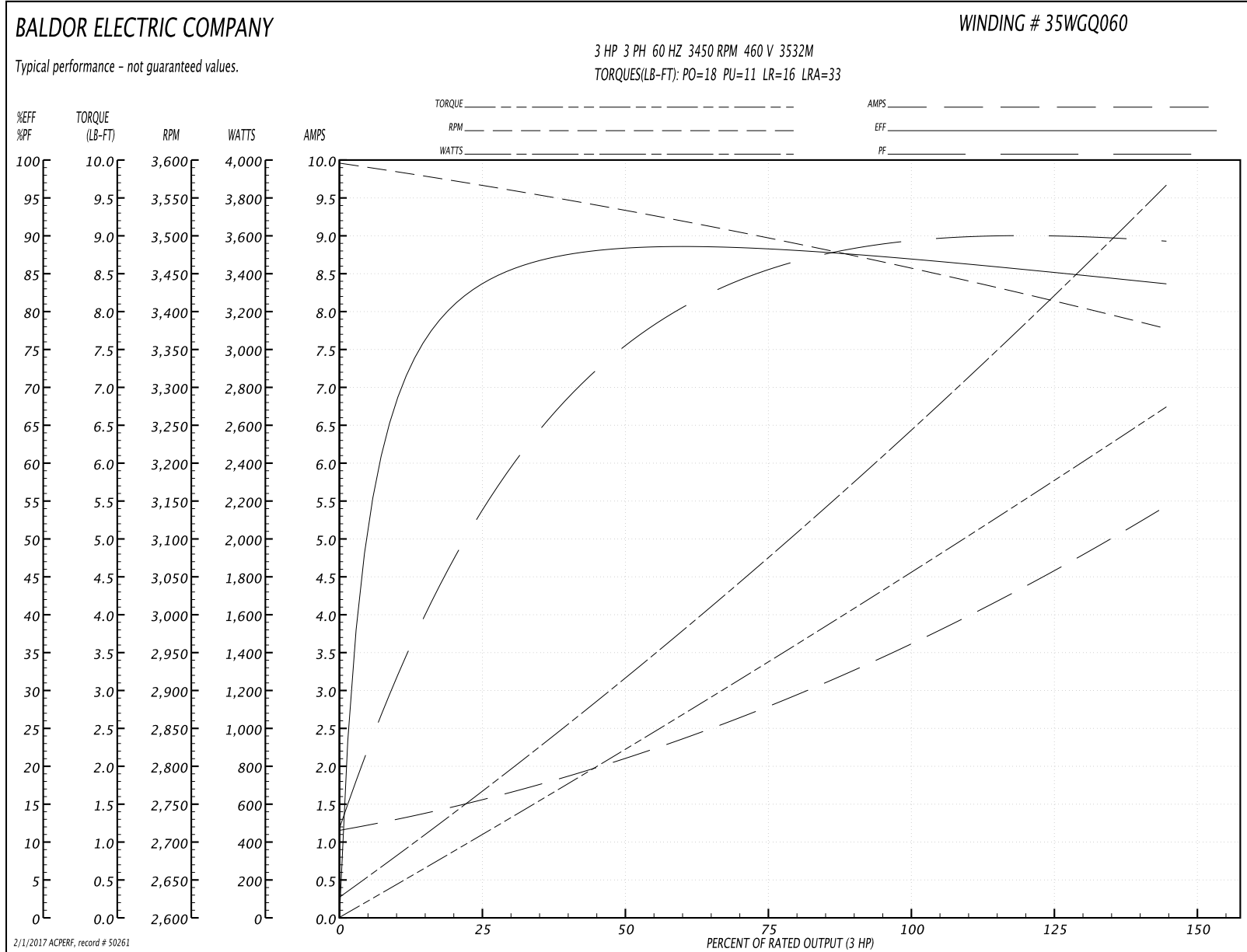
<b>Winding:</b> 35WGQ060-R002	<b>Type:</b> 3532M	<b>Enclosure:</b> TEFC
-------------------------------	--------------------	------------------------

Nameplate Data				460 V, 60 Hz: High Voltage Connection	
Rated Output (HP)	3			Full Load Torque	4.5 LB-FT
Volts	230/460			Start Configuration	direct on line
Full Load Amps	7.2/3.6			Breakdown Torque	18 LB-FT
R.P.M.	3450			Pull-up Torque	11 LB-FT
Hz	60	Phase	3	Locked-rotor Torque	16 LB-FT
NEMA Design Code	B	KVA Code	L	Starting Current	33 A
Service Factor (S.F.)	1.15			No-load Current	1.2 A
NEMA Nom. Eff.	86.5	Power Factor	92	Line-line Res. @ 25°C	4.72 Ω
Rating - Duty	40C AMB-CONT			Temp. Rise @ Rated Load	61°C
S.F. Amps				Temp. Rise @ S.F. Load	76°C

Load Characteristics 460 V, 60 Hz, 3 HP

% of Rated Load	25	50	75	100	125	150	S.F.
Power Factor	62	81	88	92	93	94	93
Efficiency	83.7	87.9	88.2	87.2	85.6	83.5	86.2
Speed	3562	3531	3498	3462	3421	3375	3437
Line amperes	1.5	2.1	2.8	3.6	4.5	5.4	4.1

Performance Graph at 460V, 60Hz, 3.0HP Typical performance - Not guaranteed values



**AC Induction Motor Performance Data**

Record # 59171 - Typical performance - not guaranteed values

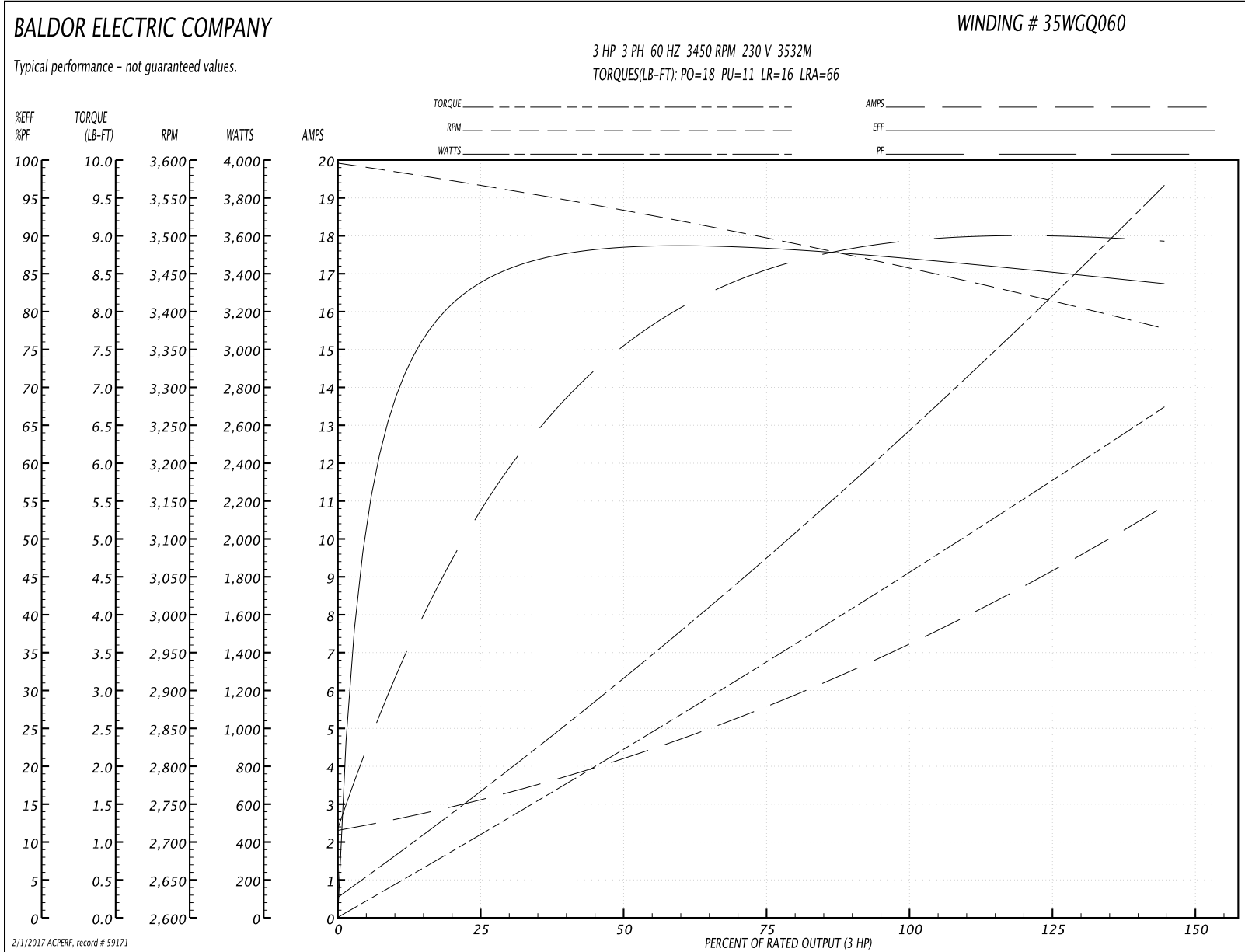
<b>Winding:</b> 35WGQ060-R002	<b>Type:</b> 3532M	<b>Enclosure:</b> TEFC
-------------------------------	--------------------	------------------------

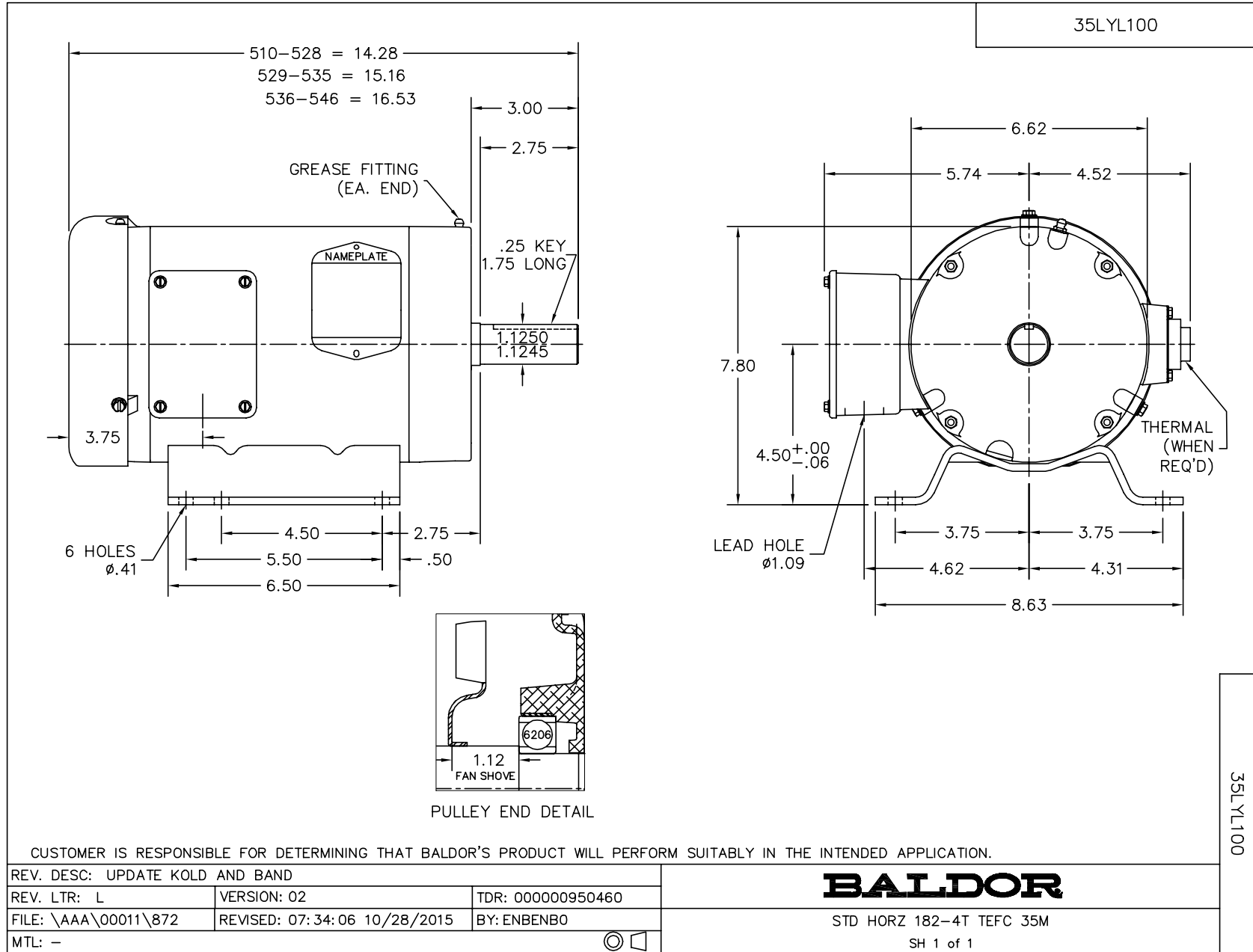
Nameplate Data				230 V, 60 Hz: Low Voltage Connection	
Rated Output (HP)	3			Full Load Torque	4.5 LB-FT
Volts	230/460			Start Configuration	direct on line
Full Load Amps	7.2/3.6			Breakdown Torque	18 LB-FT
R.P.M.	3450			Pull-up Torque	11 LB-FT
Hz	60	Phase	3	Locked-rotor Torque	16 LB-FT
NEMA Design Code	B	KVA Code	L	Starting Current	66 A
Service Factor (S.F.)	1.15			No-load Current	2.4 A
NEMA Nom. Eff.	86.5	Power Factor	92	Line-line Res. @ 25°C	1.17 Ω
Rating - Duty	40C AMB-CONT			Temp. Rise @ Rated Load	61°C
S.F. Amps				Temp. Rise @ S.F. Load	73°C
				Locked-rotor Power Factor	47.1
				Rotor inertia	0.0885 LB-FT <sup>2</sup>

Load Characteristics 230 V, 60 Hz, 3 HP

% of Rated Load	25	50	75	100	125	150	S.F.
Power Factor	57	77	85	88	89	90	89
Efficiency	84.1	87.9	88.4	87.2	85.7	83.5	86.3
Speed	3562	3531	3498	3462	3421	3375	3437
Line amperes	3	4.2	5.6	7.2	9	10.8	8.28

Performance Graph at 230V, 60Hz, 3.0HP Typical performance - Not guaranteed values





CD0005

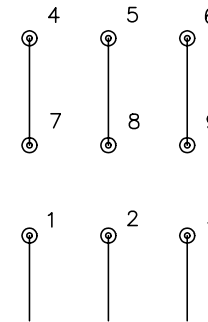


LOW VOLTAGE  
(2Y)



LINE

HIGH VOLTAGE  
(1Y)



LINE

NOTES:

1. INTERCHANGE ANY TWO LINE LEADS TO REVERSE ROTATION.
2. OPTIONAL THERMOSTATS ARE PROVIDED WHEN SPECIFIED.
3. ACTUAL NUMBER OF INTERNAL PARALLEL CIRCUITS MAY BE A MULTIPLE OF THOSE SHOWN ABOVE.
4. LEAD COLORS ARE OPTIONAL. LEADS MUST ALWAYS BE NUMBERED AS SHOWN.

REV. DESC: REVISE TO SHOW OPTIONAL COLORS			
REV. LTR: E	BY: JLP	REVISED: 01/19/99 10:15	TDR: 0171435
900003		FILE: AAA00005140	MDL: -
		MTL: -	

**BALDOR ELECTRIC Co.**

3PH, DV, 9 LEADS

CD0005