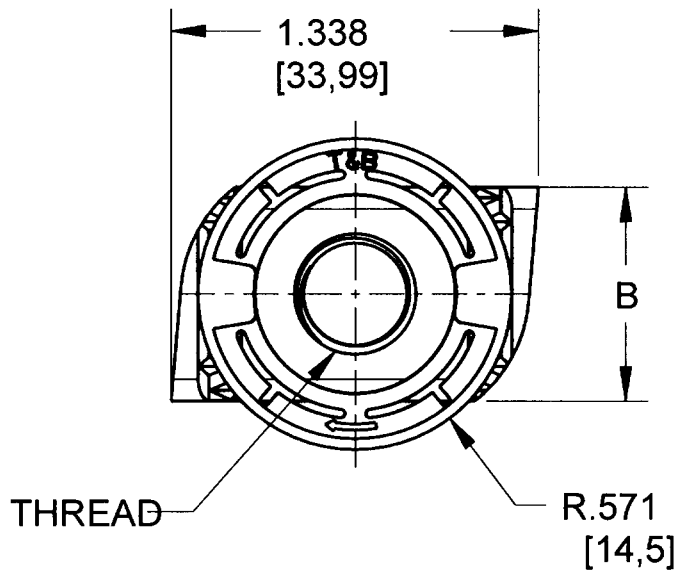
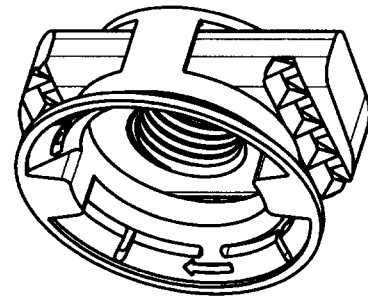
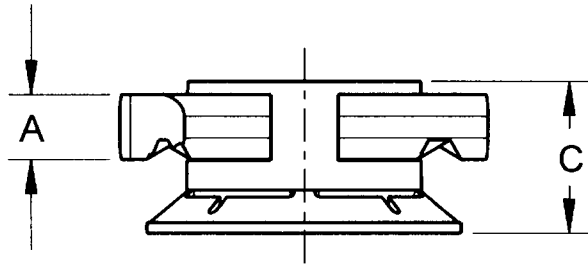


# Kindorf



**NOTES:**

1. MATERIAL:  
CHANNEL NUT: CARBON STEEL  
CONE: NYLON 6 - T&B BLUE IN COLOR
2. ALL CONE NUTS SHALL BE ZINC PLATED "GOLD-GALV" FINISH

UCN12	1/2" UNIVERSAL CONE NUT	.358 (9.1)	.785 (19.9)	.673(17.1)	1/2"-13 UNC
UCN38	3/8" UNIVERSAL CONE NUT	.358 (9.1)	.785 (19.9)	.673(17.1)	3/8"-16 UNC
UCN516	5/16" UNIVERSAL CONE NUT	.358 (9.1)	.785 (19.9)	.673(17.1)	5/16"-16 UNC
UCN14	1/4" UNIVERSAL CONE NUT	.238 (6.1)	.785 (19.9)	.559(14.2)	1/4"-20 UNC
CAT #	DESCRIPTION	DIM "A"	DIM "B"	DIM "C"	THREAD

**GENERAL NOTES**

1. ALL DIMENSIONS ARE FOR REFERENCE ONLY.
2. DIMENSIONS IN BRACKETS [ ] ARE IN METRIC UNITS.

www.tnb.com

**Thomas & Betts**  
A Member of the ABB Group

**REVISIONS**

- SEE ERN (\*\*\*\*)  
FOR APPROVAL SIGNATURES  
& RELEASE DATE.  
PROJECT NO: \*\*\*\*

**DESCRIPTION:**

**UNIVERSAL CONE NUT, KINDORF**

ORIGINAL PROJECT NO / ( ERN NO )

004V000465 / ( 2014940 )

SHEET NO:

1 OF 1

REV. NO:

--

DRAWING NO:

**WSD-001196**