

TMC3 Terminator

Cable gland for industrial, harsh & hazardous areas

ENGINEERED FOR



EXTREME CONDITIONS

Primary applications

Ideal for terminating armored MC or TECK armored cable and non-armored tray cable in:

- Harsh, corrosive or heavy industrial areas
- Hazardous areas such as, drilling rigs, refineries, petrochemical, grain and mining applications

Features

- Multiple thread size options per sealing range eliminates need for adapters or reducers
- Full range of sizes from ½" to 2" NPT available
- Standard gasket and locknut ease installation and improve ingress protection (*IP66 and NEMA 4X*)
- Meets same bonding requirements as Myers™ hubs when installed in thin wall enclosures
- Extreme temperature range: -60°C to +109°C
- Corrosion resistant material options: copper-free aluminum, nickel-plated brass or 316 stainless steel
- Cold Shrink™ kits available for extra protection in extreme environments
- Eaton blue, anodized industrial grade nut (*aluminum version only*)
- Certification markings oriented for easy inspection when installed in the bottom of enclosures

Cable types*

NEC certified for use with cable types:

- MC, MC-HL, TECK, TC, TC-ER, TC-ER-HL, ITC, ITC-ER, ITC-HL, PLTC and PLTC-ER

CEC certified for use with cable types:

- TECK, ACIC, TC

*Note:

- Type TC-ER-HL cable is rated for 600 V nominal.
- Overall cable diameters are 25mm (1 inch) or less.
- The following part numbers are not listed for TC-ER-HL cables:
TMC3-100-2, TMC3-125-1, TMC3-150-2 and TMC3-200-1

Materials

- Body, gland nut and lock nut – copper-free aluminum, nickel-plated brass or 316 stainless steel options
- Bushing and gasket – silicone
- Spring – copper alloy

Fast & easy installation

- 2-piece construction with lock nut and gasket for faster installation
- Increased size of wrenching surfaces on body and nut



Designed for versatility

- Dual certified for armored (MC/TECK) and non-armored (tray) cables
- Available in copper-free aluminum, nickel-plated brass or 316 stainless steel

Certifications & compliances

NEC and CEC:

- cULus to UL514B, UL2225, CSA C22.2 No. 18.3, CSA C22.2 No. 60079-0, -7, -31
- ATEX/IECEx to EN/IEC 60079-0, -7, -31
- Listed for wet locations
- IP66, NEMA 4X
- Listed for Class II, Division 1, Groups E, F, G and Class III
- Suitable for use in Class I, Division 2 locations, provided there are no arcing and sparking risks in accordance with NEC 501.10B



ATEX and IECEx and other global certifications:

- IECEx UL 19.0079X, DEMKO 19 ATEX 2260X, Ex eb IIC Ex tb IIIc



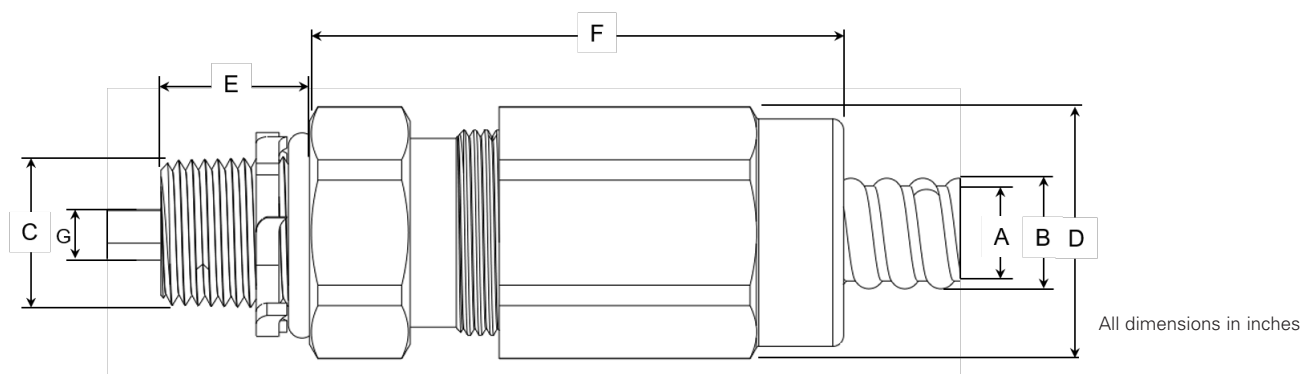
Patents

- US20210226436A1 (*Cable gland compression limiter*)
- US20210135436A1 (*Cable gland bushing*)
- US20210033136A1 (*Hybrid thread geometry for threaded fitting*)



Powering Business Worldwide

Ordering information



Entry thread NPT (C)	**Part #	Over conductors O.D max (G)*		Armored MC & MC-HL cables				Armored TECK90 cables				Un-armored TC		Un-armored TC-ER-HL		Across corners (D)	Thread length (E)	Length (F)
		w/ armor stop	w/o armor stop	Armor O.D. (A)		Cable OD (B)		Armor O.D. (A)		Cable O.D. (B)*		Cable O.D. (B)*						
		Min.	Max.	Min.	Max.	Min.	Max.	Min.	Max.	Min.	Max.	Min.	Max.					
1/2"	TMC3-050-0	0.350	0.560	0.452	0.660	0.550	0.780	0.512	0.670	0.610	0.780	0.500	0.660	0.500	0.600	1.38	0.75	2.55
1/2"	TMC3-050-1	0.350	0.560	0.579	0.872	0.670	1.000	0.581	0.880	0.670	1.000	0.640	0.860	0.640	0.860	1.63	0.75	2.60
3/4"	TMC3-075-0	0.510	0.796	0.452	0.660	0.550	0.780	0.512	0.670	0.610	0.780	0.500	0.660	0.500	0.660	1.63	0.78	2.55
3/4"	TMC3-075-1	0.510	0.796	0.579	0.872	0.660	1.000	0.581	0.880	0.670	1.000	0.640	0.860	0.640	0.860	1.63	0.78	2.60
3/4"	TMC3-075-2	0.730	0.810	0.800	1.120	0.850	1.310	0.800	1.120	0.850	1.310	0.850	1.120	0.850	1.120	1.99	0.97	4.00
1"	TMC3-100-1	0.730	1.040	0.800	1.120	0.850	1.310	0.800	1.120	0.850	1.310	0.850	1.120	0.850	1.120	1.99	0.99	4.00
1"	TMC3-100-2	0.980	1.040	1.100	1.400	1.150	1.620	1.100	1.400	1.150	1.620	1.150	1.400	-	-	2.45	1.01	4.00
1-1/4"	TMC3-125-1	0.980	1.250	1.100	1.400	1.150	1.620	1.100	1.400	1.150	1.620	1.150	1.400	-	-	2.45	1.03	5.00
1-1/4"	TMC3-125-2	1.160	1.250	1.280	1.610	1.380	1.780	1.280	1.610	1.380	1.780	1.280	1.610	1.380	1.610	2.75	1.01	5.00
1-1/2"	TMC3-150-1	1.160	1.560	1.280	1.610	1.380	1.780	1.280	1.610	1.380	1.780	1.280	1.610	1.380	1.610	2.75	1.03	5.00
1-1/2"	TMC3-150-2	1.540	1.560	1.520	2.060	1.630	2.310	1.520	2.060	1.630	2.310	1.630	2.080	-	-	3.50	1.03	5.14
2"	TMC3-200-1	1.540	2.000	1.520	2.060	1.630	2.310	1.520	2.060	1.630	2.310	1.630	2.080	-	-	3.50	1.06	5.14

*When making your cable gland selection based on cable O.D., be sure to also observe the over conductors O.D. dimension and the armor O.D.

**Part numbers shown above are for aluminum, for stainless steel add "-SS" suffix, for nickel-plated brass add "-NP" suffix

Accessories

Myers grounding locknuts



Part number	
STAGN 1	1/2" aluminum Myers grounding locknut
STAGN 2	3/4" aluminum Myers grounding locknut
STAGN 3	1" aluminum Myers grounding locknut
STAGN 4	1-1/4" aluminum Myers grounding locknut
STAGN 5	1-1/2" aluminum Myers grounding locknut
STAGN 6	2" aluminum Myers grounding locknut
SSTGN 1	1/2" stainless steel Myers grounding locknut
SSTGN 2	3/4" stainless steel Myers grounding locknut

TMC cold shrink kits



Part number	TMC3 O.D.	Tubing length	TMC
TMC K1	1.38	6.00	TMC050 0
TMC K2	1.63	6.00	TMC050; TMC075 0; TMC075 1
TMC K3	2.00	6.00	TMC075 2; TMC100-1
TMC K4	2.44	6.00	TMC100-2; TMC125-1
TMC K5	2.75	7.00	TMC125-2; TMC150-1
TMC K6	3.50	9.00	TMC150-2; TMC200-1